

**Description:**

LED power supplies transform and regulate power from a line voltage power source into low voltage power for use with LED lighting. The TEB-60L-12DC power supply accepts input voltage of 120 volts AC and outputs 12 volts DC power up to 60 watts. The low voltage output may be dimmed using an electronic low voltage dimmer (sold separately). The aluminum enclosure with service shutoff switch allows electrical connections to be made inside the box. Minimum load 15 watts. Knockouts are provided for use with 1/2" conduit. Comes with on/off switch and may also be ordered with a 6 foot cord/plug.

**Applications:**

Indoor

**Power Input:**

120 volts AC, 60Hz

**Power Output:**

12 volts DC 4.8A 60 watt maximum

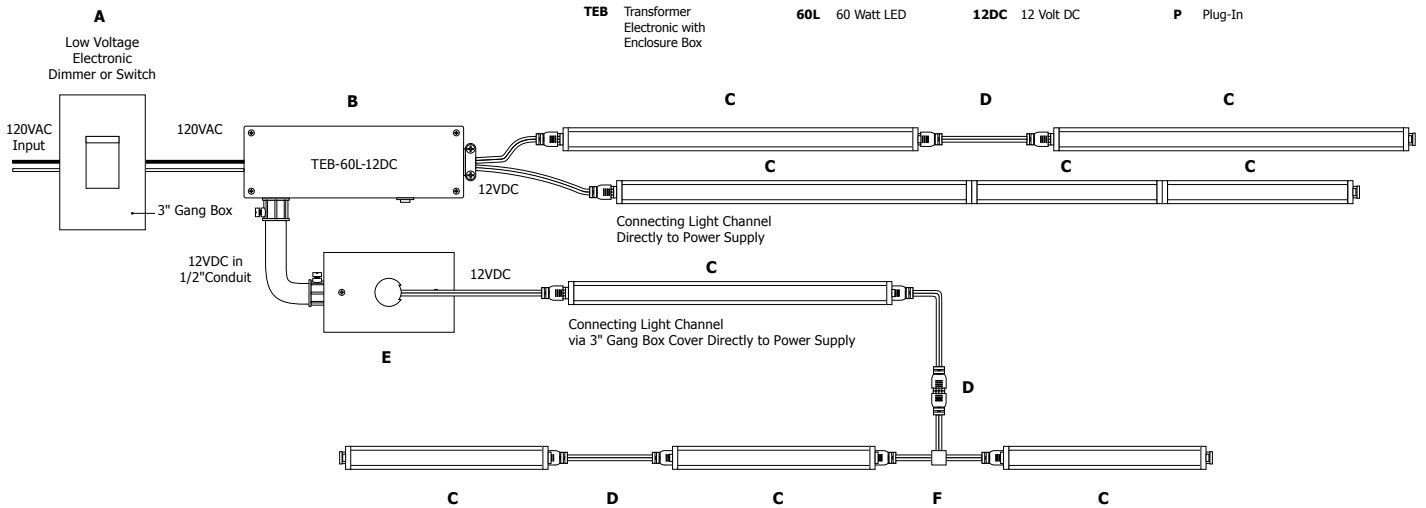
**Dimensions:**

7.65" x 2.5" x 1.47"

**Dimmer Type:**

Electronic Low Voltage Dimmer Lutron: Diva #**DVELV-300P**; Skylark #**SELV-300P**; Maestro #**MAELV-600**

Product	Wattage	Voltage	Input Voltage
<b>TEB</b>	<b>60L</b>	<b>12DC</b>	Standard 120V (leave blank)
<small>TEB Transformer Electronic with Enclosure Box</small>	<small>60L 60 Watt LED</small>	<small>12DC 12 Volt DC</small>	<small>P Plug-In</small>



- A. Lutron Dimmers  
Diva **DVELV-300P** or Skylark **SELV-300P**
- B. 60W 12VDC Power Supply  
**TEB-60L-12DC**
- C. Light Channel  
**LC\_-12V\_-\_-**
- D. Flexible connector order to length  
**LC-CFX\_-**
- E. Optional: 3" Rectangle Canopy Cover **3RE-WH** or  
4" Round Canopy Cover **4RD-WH** or  
Splice Box **1RB-WH**
- F. 3" Flexible T-Connector  
**SS-CFXT-3IN**

PROJECT:

FIXTURE TYPE:

DATE:

