

Description:

LED power supplies transform and regulate power from a line voltage power source into low voltage power for use with LED lighting. The TEB-60L-12DC power supply accepts input voltage of 120 volts AC and outputs 12 volts DC power up to 60 watts. The low voltage output may be dimmed using an electronic low voltage dimmer (sold separately). Minimum load 15 watts. The aluminum enclosure with service shutoff switch allows electrical connections to be made inside the box. Knockouts are provided for use with 1/2" conduit. Comes with on/off switch and may also be ordered with a 6 foot cord/plug.

Applications:

Indoor

Power Input:

120 volts AC, 60Hz

Power Output:

12 volts DC 4.8A 60 watt maximum

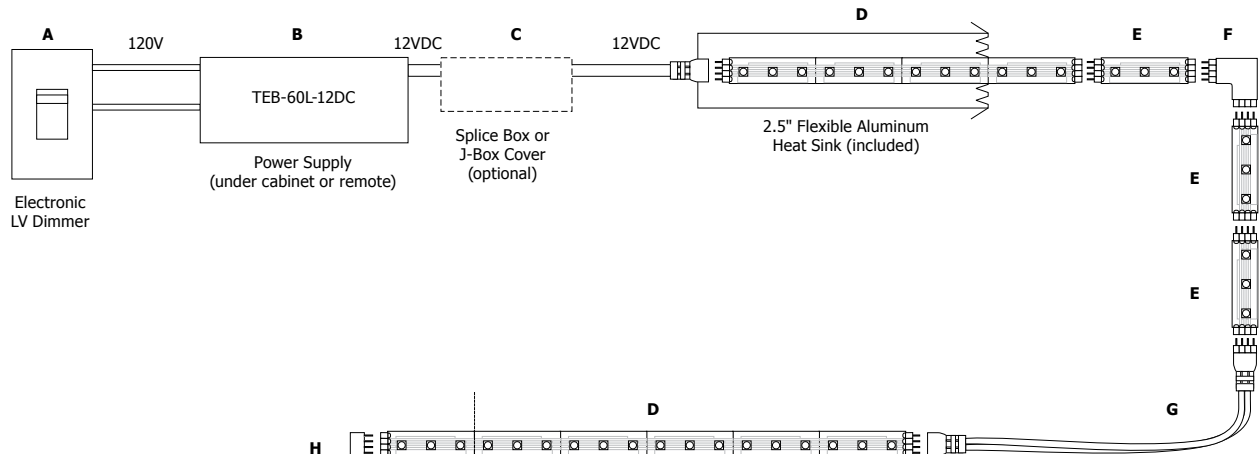
Dimensions:

7.65" x 2.5" x 1.47"

Dimmer Type:

Electronic Low Voltage Dimmer Lutron: Diva #**DVELV-300P**; Skylark #**SELV-300P**; Maestro #**MAELV-600**

Product	Wattage	Voltage	Input Voltage
TEB	60L	12DC	Standard 120V (leave blank)
<small>TEB Transformer Electronic with Enclosure Box</small>	<small>60W 60 Watt LED</small>	<small>12DC 12 Volt DC</small>	<small>P Plug-In</small>



- A. Lutron Dimmers
Diva **DVELV-300P**
or Skylark **SELV-300P**
- B. 60W 12VDC Power Supply
TEB-60L-12DC
- C. Optional: Splice Box **1RB-WH** or
3" Rectangle Canopy Cover **3RE-WH** or
4" Round Canopy Cover **4RD-WH**
- D. Soft Strip 12V
SS_-12V-_-_-
Sold by the foot; with easy plug-in
connector on each end
- E. Soft Strip 12V
SS_-12V-_IN -_-
1 or 2 inch segment with easy
plug-in connector on each end
- F. L-Connector
SS-CL
L-shaped plug-in connector
- G. Flexible Connector
3, 6, 12, 36 or 96 inch
SS-CFX-_-_-
- H. End Cap Connector
SS-CEC

PROJECT:

FIXTURE
TYPE:

DATE: