

**Monorail Remote Mount Kit with 150W 12V magnetic transformer includes everything you need for a complete system— just add fixtures.** Kit includes remote mount magnetic 150 watt 12 volt transformer and single feed power canopy, Monorail, appropriate quantities of 1" standoffs for every 3 feet of rail and 2 pairs of end caps. Fast acting circuit breaker on 12 volt side of transformer will shut the system off in case of overload or short and can be easily reset. Satin nickel, polished nickel or antique bronze finish.

**Length:**

4, 8, 12, 16, 20, 24, 28 or 32 feet  
1.2, 2.4, 3.7, 4.9, 6.1, 7.3, 8.5 or 9.8 meters

**Dimming:**

With 450 watt low voltage magnetic dimmer

**Standard Mounting:**

Rail mounts 1" (2.5cm) from ceiling. For 6" - 96" (15.2cm- 243.8cm) power and standoff lengths, see below.

**Transformer:**

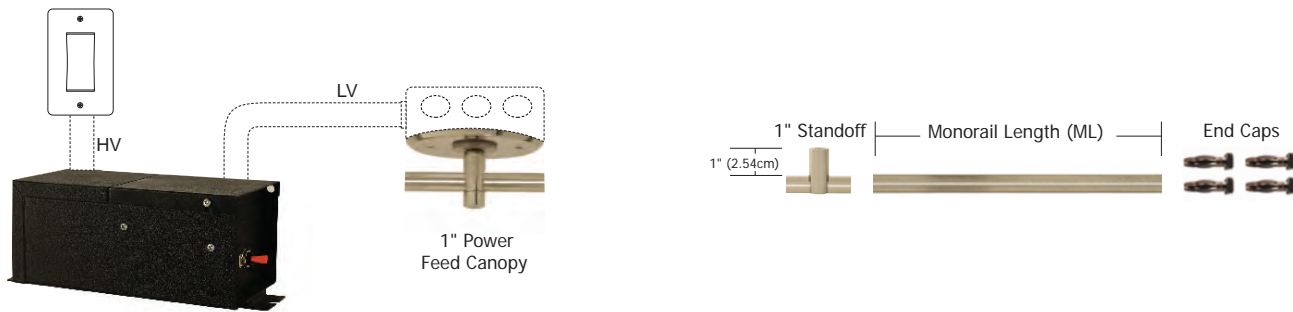
Maximum 150 watt, 12 volt load

**Finish:**

Satin Nickel, Polished Nickel or Antique Bronze

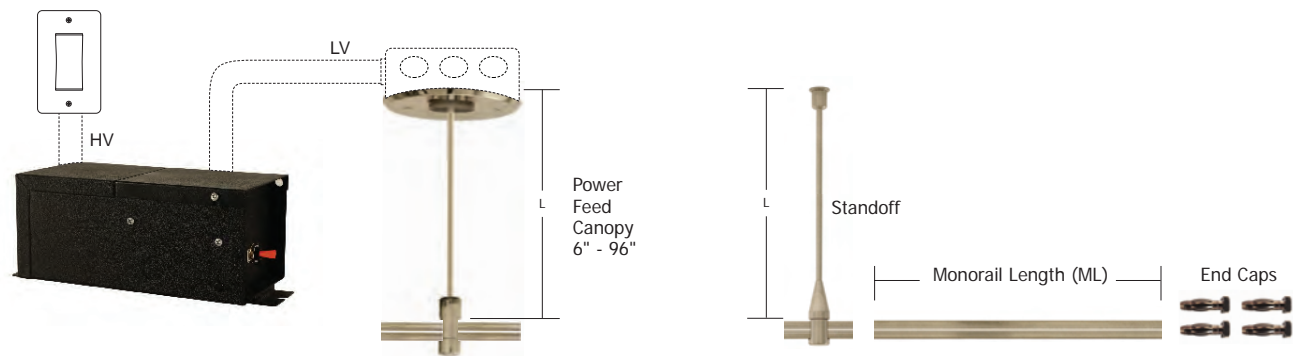
**Weight:**

10 - 15 lb (4.53 - 6.7 kg)



Transformer Type	Wattage	Voltage Output	Monorail Length (ML)	Finish	Voltage Input
<b>T</b>	<b>150</b>	<b>12</b>	<b>K4</b>	<b>SN</b>	Standard 120 Volt (leave blank)
T Remote Mount Magnetic Transformer	150 150 Watt	12 12 Volt Single Feed	<b>K4</b> Kit with 4' (1.2m) Monorail <b>K2x4</b> Kit with two 4' (2.4m) Monorail <b>K8</b> Kit with 8' (2.4m) Monorail <b>K12</b> Kit with 12' (3.7m) Monorail <b>K16</b> Kit with 16' (4.9m) Monorail <b>K20</b> Kit with 20' (6.1m) Monorail <b>K24</b> Kit with 24' (7.3m) Monorail <b>K28</b> Kit with 28' (8.5m) Monorail <b>K32</b> Kit with 32' (9.8m) Monorail	<b>SN</b> Satin Nickel <b>PN</b> Polished Nickel <b>BZ</b> Antique Bronze	<b>2</b> 230 Volt <b>3</b> 277 Volt <b>P</b> Plug

**Monorail Remote Kit-Dropped with 150W 12V magnetic transformer includes everything you need for a complete system — just add fixtures.** Kit includes remote mount magnetic 150 watt 12 volt transformer and single feed power canopy, Monorail, appropriate quantities of standoffs for every 3 feet of rail and 2 pairs of end caps. Fast acting circuit breaker on 12 volt side of transformer will shut the system off in case of overload or short and can be easily reset. Satin nickel, polished nickel or antique bronze finish.



Transformer Type	Wattage	Voltage Output	Power/Standoff Length (L)	Monorail Length (ML)	Finish	Voltage Input
<b>T</b>	<b>150</b>	<b>12</b>	<b>P6</b>	<b>K8</b>	<b>SN</b>	Standard 120 Volt (leave blank)
T Remote Mount Magnetic Transformer	150 150 Watt	12 12 Volt Single Feed	<b>P6</b> 6" (15.2cm) <b>P12</b> 12" (30.5cm) <b>P24</b> 24" (61cm) <b>P36</b> 36" (91.4cm) <b>P48</b> 48" (122cm) <b>P96</b> 96" (243.8cm) <b>P_</b> Custom Length Available	<b>K8</b> Kit with 8' (2.4m) Monorail <b>K12</b> Kit with 12' (3.7m) Monorail <b>K16</b> Kit with 16' (4.9m) Monorail <b>K20</b> Kit with 20' (6.1m) Monorail <b>K24</b> Kit with 24' (7.3m) Monorail <b>K28</b> Kit with 28' (8.5m) Monorail <b>K32</b> Kit with 32' (9.8m) Monorail	<b>SN</b> Satin Nickel <b>PN</b> Polished Nickel <b>BZ</b> Antique Bronze	<b>2</b> 230 Volt <b>3</b> 277 Volt <b>P</b> Plug

PROJECT: \_\_\_\_\_ FIXTURE TYPE: \_\_\_\_\_ DATE: \_\_\_\_\_

