

SS3 SOFT STRIP 2.4W, 24V HIGH OUTPUT, STANDARD CRI (65-70+)

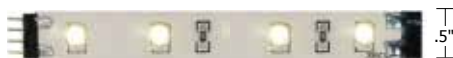
REV04.25.11




SS3-24V-_-WW

**Maximum Length
Before Refeeding: 25 Ft**

LENGTH IN FEET	TOTAL WATTAGE
1	3W
2	5W
3	8W
4	10W
5	13W
6	15W
7	18W
8	20W
9	23W
10	25W
11	28W
12	30W
13	33W
14	35W
15	38W
16	40W
17	43W
18	45W
19	48W
20	50W
21	53W
22	55W
23	57W
24	59W
25	60W



SS3-24V-4IN-_-
4 Inch Soft Strip

Description:

Soft Strip (SS3) provides high levels of light with warm-white or very warm white LEDs. The 1/2" wide flexible copper strip, with an optically clear protective coating, is sold in 1 ft increments up to 25 ft with easy plug-in connectors on each end. Includes a 6 ft power feed cable. For custom lengths, smaller segments are available in 4 inch increments (sold separately). Use plug-in flexible connectors for making turns and custom configurations. At only 2.4 watts per foot, the 24 volt system dims with a standard electronic low-voltage dimmer using the TEB-75L-24DC. The system is also dimmable with a 0-10V controller when using a 100 or 200 watt power supply. Self-adhering SS3 mounts to most smooth finished surfaces with the industrial strength 3M tape (provided on back of Strip); some unfinished surfaces may require screw-in mounting clips (sold separately). Designed for indoor, open-air environments, SS3 includes a flexible aluminum heat sink to extend LED life.

Applications:

Indoor Only - Under/above cabinet, cove lighting or accent toe kicks

Lamp:

18 warm-white (3,070K) or very warm-white (2,540K) LEDs per foot
65-70+CRI

Warm White: 161 lumens per foot

Consumes 2.4 watts per foot at 24VDC

18" from counter produces 61 foot candles

Average Lamp Life:

32,000 hours

Power Supply:

75 watt, 120 volt input, 24 volt DC output **TEB-75L-24DC**

100 watt, 120 volt input, 24 volt DC output **PSB-100W-010-24VDC**

200 watt, 120 volt input, 24 volt DC output **PSB-200W-010-24VDC**

Dimming:

Dimmable with low voltage electronic dimmer using TEB-75L-24DC

Lutron: Diva #DVELV-300P; Skylark #SELV-300P; Maestro #MAELV-600 are recommended

Dimmable with 0-10V dimmer using PSB-100W-010-24VDC or

PSB-200W-010-24VDC. Lightolier: ZP600FAM120 is recommended

Mounting Strap:

Straps for mounting Soft Strip on surfaces not compatible with 3M tape (provided on the back of Soft Strip).

SS-SU

Use U-Strap every 6 to 12 inches for extra support (30 per package).

SS-ST

Use Tie Strap every 6 to 12 inches for extra support (30 per package).

SS-MCL

Screw In Mounting Clip mounts beneath strip, snapping the Strip into place for additional support (10 per package).

System	Voltage	Length	Color Temperature
SS3	24V	4IN	WW
SS3 Soft Strip 2.4W per Ft	24V 24 Volt	4IN 4 Inch	WW Warm White (3,070K) VW Very Warm White (2,540K)

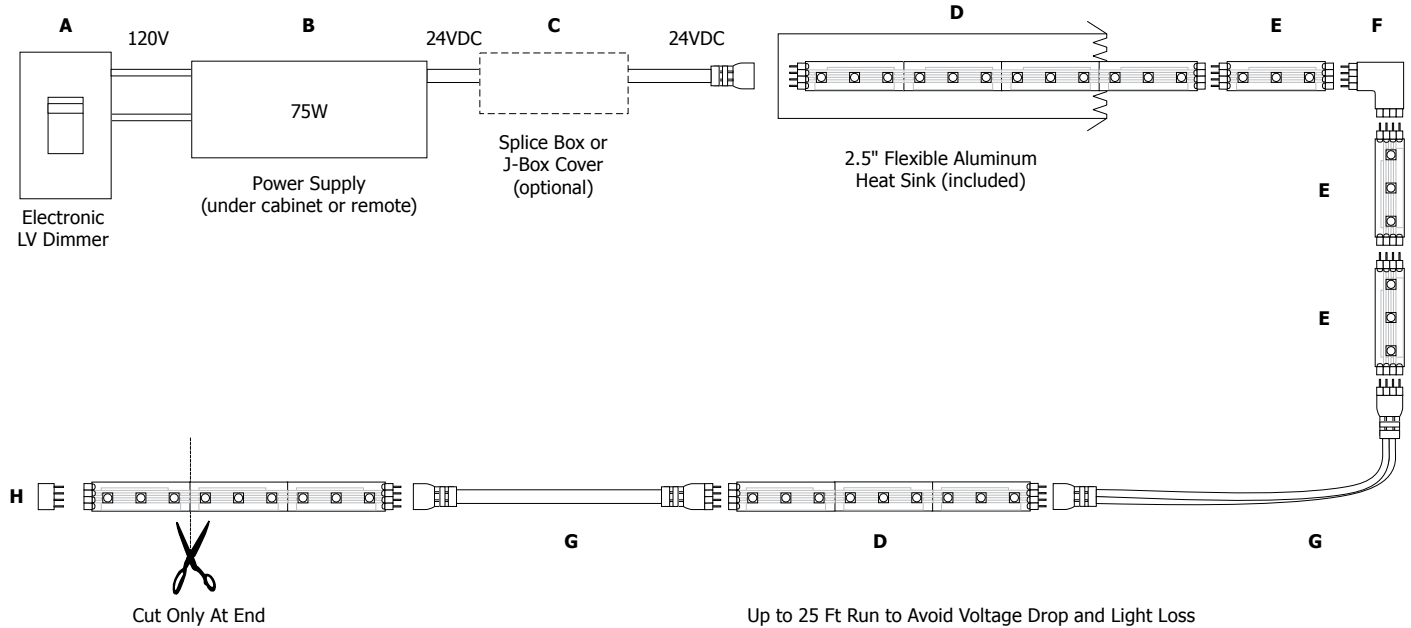
System	Voltage	Length in Feet	Color Temperature
SS3	24V	25	WW
SS3 Soft Strip 2.4W per Ft	24V 24 Volt	Sold in 1 Ft increments up to 25 Ft (Example 25 =25 Ft)	WW Warm White (3,070K) VW Very Warm White (2,540K)

PROJECT:

FIXTURE
TYPE:

DATE:

- Application:** Electronic low voltage dimming for Soft Strip 2.4-24V
- Power Supply:** 75 watt, 120 volt input, 24 volt DC output **TEB-75L-24DC**
- Dimming:** Dimmable with low voltage electronic dimmer using power supply above. See power supply spec sheet for additional details.
Lutron: Diva #DVELV-300P; Skylark #SELV-300P; Maestro #MAELV-600 dimmers are recommended



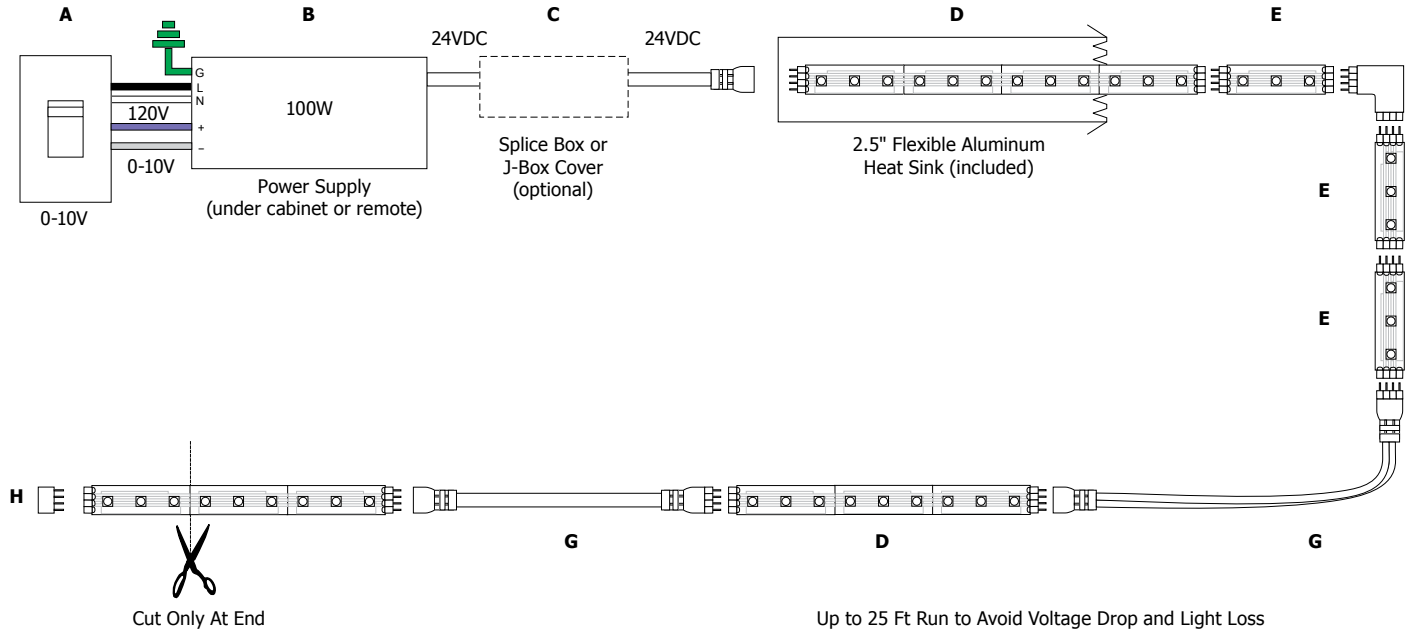
- A. Lutron Dimmers
Diva **DVELV-300P**
or Skylark **SELV-300P**
- B. 75W 24VDC Power Supply
TEB-75L-24DC
- C. Optional: Splice Box **1RB-WH** or
3" Rectangle Canopy Cover **3RE-WH** or
4" Round Canopy Cover **4RD-WH**
- D. Soft Strip 2.4W/24V
SS3-24V-_-_-
sold by the foot; up to 25 ft
with easy plug-in connector on
each end
- E. Soft Strip 2.4W/24V
SS3-24V-4IN-_-
4 inch segment with easy
plug-in connector on each end
- F. L-Connector
SS-CL
L-shaped plug-in connector
- G. Flexible Connector-
3, 6, 12, 36 or 96 inch
SS-CFX-_-
- H. End Cap Connector
SS-CEC

PROJECT:

FIXTURE
TYPE:

DATE:

- Application:** 0-10V dimming for Soft Strip 2.4W-24V
- Power Supply:** 100 watt, 120 volt input, 24 volt DC output **PSB-100W-010-24VDC**
- Dimming:** Dimmable with 0-10V Controller using power supply above.
Lightolier: ZP600FAM120 is recommended



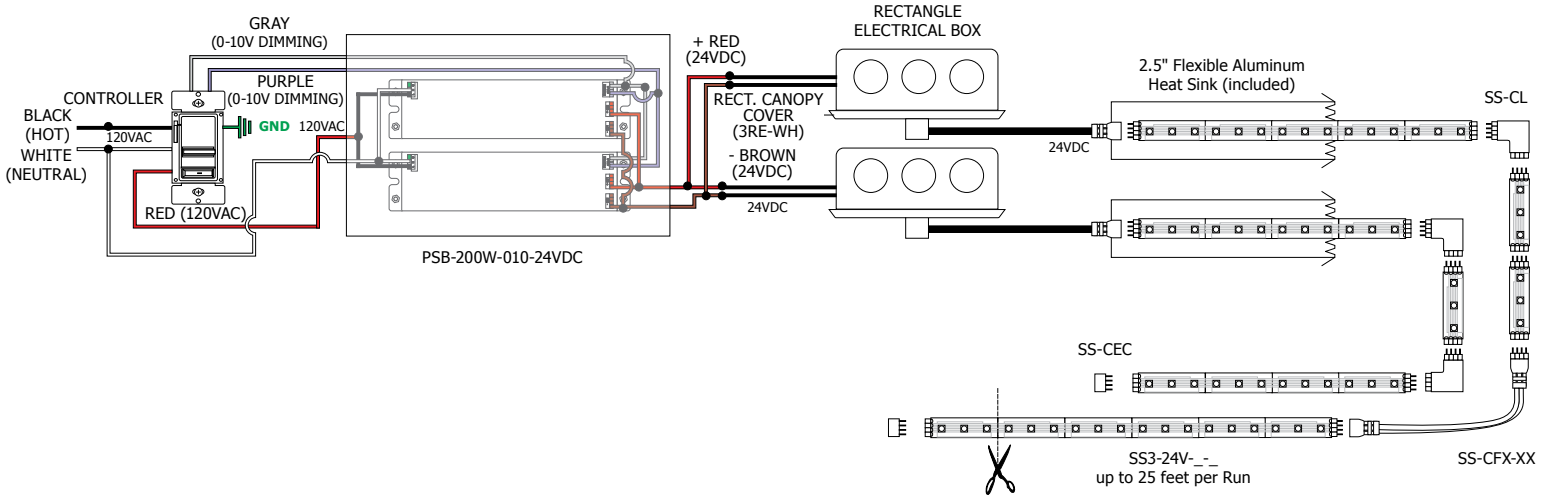
- A. Lightolier Dimmer 0-10V
ZP600FAM120
- B. 100W 24VDC Power Supply
PSB-100W-010-24VDC
- C. Optional: Splice Box **1RB-WH** or
3" Rectangle Canopy Cover **3RE-WH** or
4" Round Canopy Cover **4RD-WH**
- D. Soft Strip 2.4W/24V
SS3-24V-_-_-
sold by the foot; up to 25 ft
with easy plug-in connector on
each end
- E. Soft Strip 2.4W/24V
SS3-24V-4IN-_-
4 inch segment with easy
plug-in connector on each end
- F. L-Connector
SS-CL
L-shaped plug-in connector
- G. Flexible Connector-
3, 6, 12, 36 or 96 inch
SS-CFX-_-
- H. End Cap Connector
SS-CEC

PROJECT:

FIXTURE
TYPE:

DATE:

- Application:** 0-10V dimming for Soft Strip 2.4W-24V
- Power Supply:** 200 watt, 120 volt input, 24 volt DC output **PSB-200W-010-24VDC**
- Dimming:** Dimmable with 0-10V Controller using power supply above.
Lightolier: ZP600FAM120 is recommended



PROJECT:

FIXTURE TYPE:

DATE: