

SS1 SOFT STRIP 1.4W, 12V STANDARD OUTPUT, STANDARD CRI (65-70+)



SS1-12V-_-WW

**Maximum Length
Before Refeeding: 32 Ft**

LENGTH IN FEET	TOTAL WATTAGE
1	2W
2	3W
3	5W
4	6W
5	7W
6	9W
7	10W
8	12W
9	13W
10	14W
11	16W
12	17W
13	19W
14	20W
15	21W
16	23W
17	24W
18	25W
19	27W
20	28W
21	30W
22	31W
23	32W
24	34W
25	35W
26	36W
27	37W
28	38W
29	40W
30	42W
31	43W
32	45W



SS1-12V-2IN-
2 Inch Soft Strip

Description:

Soft Strip (SS1) provides accent light with warm-white or very warm white LEDs. At less than a 1/2" wide, the flexible copper strip, with an optically clear protective coating, is sold in 1 ft increments up to 32 ft with easy plug-in connectors on each end. Includes a 6 ft power feed cable. For custom lengths, smaller segments are available in 2 inch increments (sold separately). Use plug-in flexible connectors for making turns and custom configurations.

At only 1.4 watts per foot, the economical system dims with a standard electronic low-voltage dimmer using the TEB-60L-12DC, Edge Lighting's exclusive electronic power supply. Self-adhering SS1 mounts to most smooth finished surfaces with the industrial strength 3M tape (provided on back of strip); some unfinished surfaces may require screw-in mounting clips (sold separately). Designed for indoor, open-air environments, SS1 includes a flexible aluminum heat sink to extend LED life.

Applications:

Indoor Only - Inside cabinet, wine cellar, steps, behind mirrors, handrails, inside drawers, niches and toe kicks

Lamp:

18 warm white (3050K) or very warm white (2660K) LEDs per foot
65-70+ CRI
Warm White: 74 lumens per foot
LED lamps consume 1.4 watts per foot at 12VDC
18" from counter produces 16 foot candles

Average Lamp Life:

32,000 hours

Power Supply:

60 watt, 120 volt input, 12 volt DC output **TEB-60L-12DC**

Dimming:

Dimmable with low voltage electronic dimmer using power supply above. See power supply spec sheet for additional details.
Lutron: Diva #DVELV-300P; Skylark #SELV-300P; Maestro #MAELV-600 dimmers are recommended

Mounting Strap:

Straps for mounting Soft Strip on surfaces not compatible with 3M tape (provided on the back of Soft Strip).



SS-SU

Use U-Strap every 6 to 12 inches for extra support (30 per package).



SS-ST

Use Tie Strap every 6 to 12 inches for extra support (30 per package).



SS1-MCL

Screw In Mounting Clip mounts beneath strip, snapping the Strip into place for additional support (10 per package).

System	Voltage	Length	Color Temperature
SS1	12V	2IN	WW
SS1 Soft Strip 1.4W per Ft	12V 12 Volt	2IN 2 Inch	WW Warm White (3,050K) VW Very Warm White (2,660K)

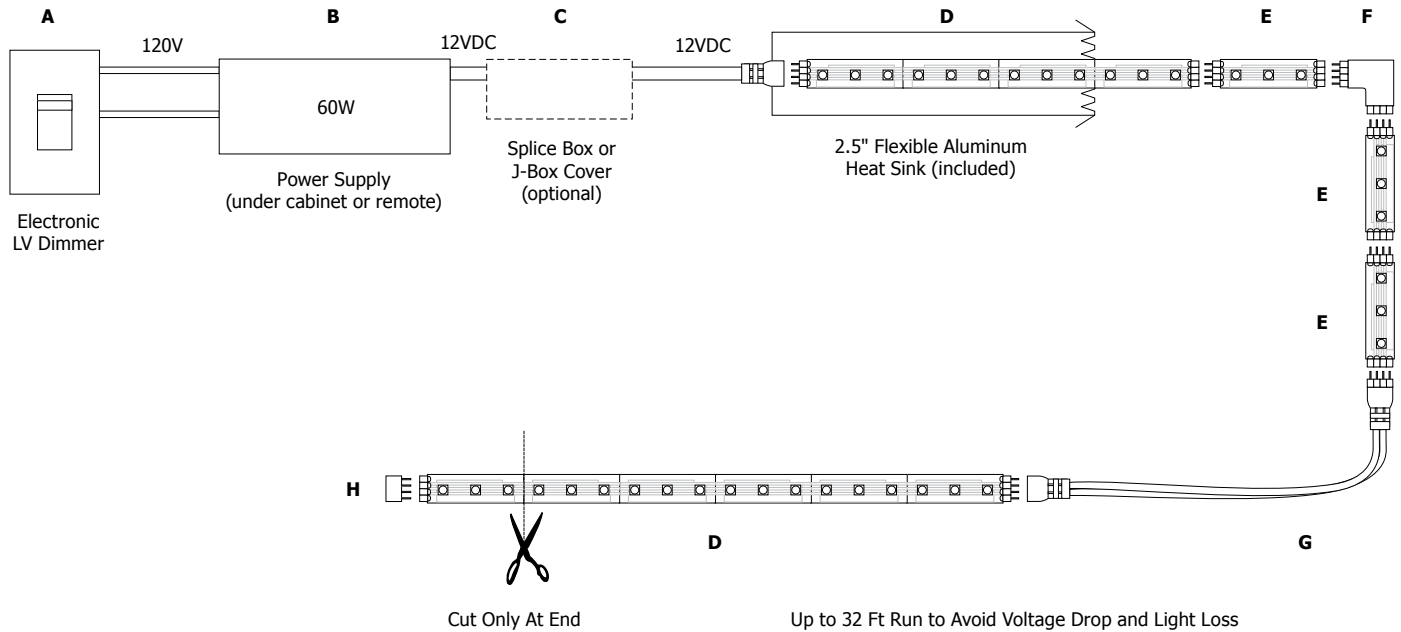
System	Voltage	Length in Feet	Color Temperature
SS1	12V	32	WW
SS1 Soft Strip 1.4W per Ft	12V 12 Volt	Sold in 1 Ft increments up to 32 Ft (Example 32=32 Ft)	WW Warm White (3,050K) VW Very Warm White (2,660K)

PROJECT:

FIXTURE
TYPE:

DATE:

- Application:** Electronic low-voltage dimming for Soft Strip 1.4W-12V
- Power Supply:** 60 watt, 120 volt input, 12 volt DC output **TEB-60L-12DC**
- Dimming:** Dimmable with low voltage electronic dimmer using power supply above.
See power supply spec sheet for additional details.
Lutron: Diva #DVELV-300P; Skylark #SELV-300P;
Maestro #MAELV-600 dimmers are recommended



- A. Lutron Dimmers
Diva **DVELV-300P**
or Skylark **SELV-300P**
- B. 60W 12VDC Power Supply
TEB-60L-12DC
- C. Optional: Splice Box **1RB-WH** or
3" Rectangle Canopy Cover **3RE-WH** or
4" Round Canopy Cover **4RD-WH**
- D. Soft Strip 1.4W/12V, WW or VW
SS1-12V-_-_-
sold by the foot; up to 32 ft
with easy plug-in connector
on each end
- E. Soft Strip 1.4W/12V, WW or VW
SS1-12V-2IN-_-
2 inch segment with easy
plug-in connector on each end
- F. L-Connector
SS-CL
L-shaped plug-in
connector
- G. Flexible Connector
3, 6, 12, 36 or 96 inch
SS-CFX-_-
- H. End Cap Connector
SS-CEC

PROJECT:

FIXTURE
TYPE:

DATE: