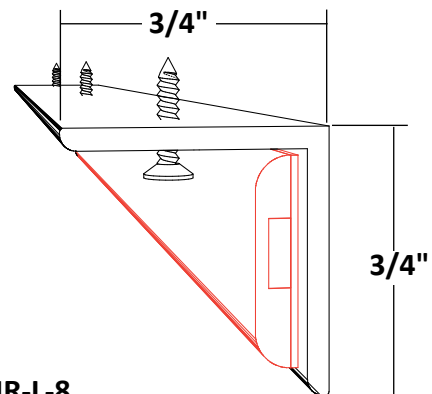


Soft Strip Application Note:

Edge Lighting Soft Strip has continued to grow in popularity as an energy efficient light source for under cabinet lighting. When using Soft Strip over highly reflective counter tops, simply add the 'L' shaped Heat Sink Reflector to avoid the reflected lamp image on the counter.



Orient Soft Strip perpendicular to counter tops to avoid lamp imaging.



SS-HR-L-8
L shaped Heat Sink Reflector.
Available in 4' or 8' lengths.
Cut to length in field.

