

PUCK LED 3W, 12V AC/DC

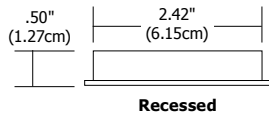


Surface Mount - White

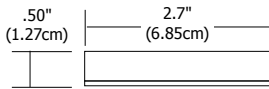
Surface Mount - Satin Aluminum

Surface Mount (Collar Included)

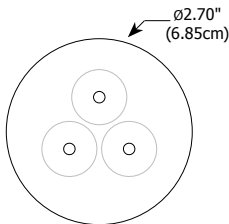
Recessed



Recessed



Surface



Description:

Recessed or surface-mount, Puck LED features solid aluminum construction and uses 3 watt warm-white LEDs. Fixtures consume a total of 4 watts. Ideal for under cabinet illumination, the tiny but very powerful round fixture is available with a 90 degree beam spread. Includes 36" cord/plug port, 3 wire clips and screws. Fixture plugs into 4- or 8-port hub, which distributes the low voltage power from LED power source. Fixtures use 12VAC or 12VDC power supplies.

Finish:

Satin Aluminum or White

Lamp Specification:

LED: 3 Watt (3x1W) Cree, 12V (AC or DC)
3070K, 84CRI
39 lumens per watt/138 total lumens
50,000 hour lamp life

Dimming Information:

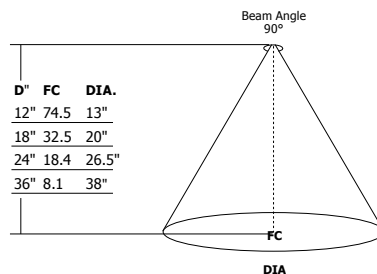
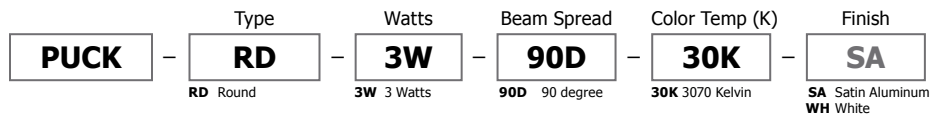
Dimmable with Lutron Diva or Skylark low voltage dimmers
AC and DC power supplies dim down to 1% without flickering

Power Supply:

Hardwired: **TEB-60L-12DC** and **TE-60L-12** (AC)
Plug-In: **TEB-60L-12DC-P** and **TE-60L-12AC-P**

Weight:

.5 lb (0.23 kg)



PROJECT:

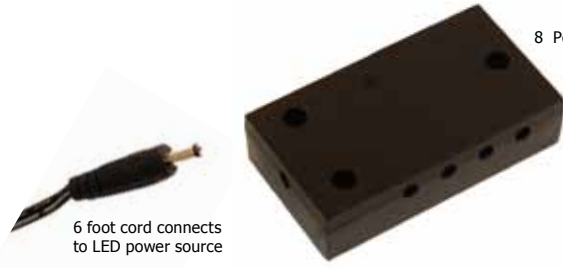
FIXTURE
TYPE:

DATE:

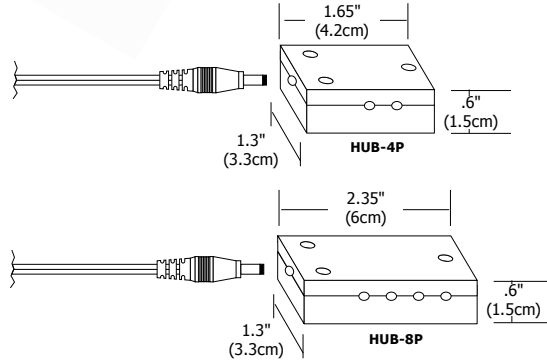
POWER HUB FOR PUCKS & DOTS

REV.04.27.11

8 Port Hub shown



6 foot cord connects to LED power source



Description:

The 4 port Hub distributes the 12V AC/DC low voltage power from LED transformer to a combination of 1 to 4 LED Puck or Dot lights. The 8 port Hub distributes the 12V AC/DC low voltage power from LED transformer to a combination of 1 to 8 LED Puck or Dots lights. Includes 6 foot Power Feed Connector Cord and 3 clips.

Product	Type
HUB	4P
HUB Power Hub	4P 4 Port 8P 8 Port



12 Ft. Hub Extension Cord and Hub Connector

The 12 ft extension cord extends the Hub power cord or the Puck and Dot fixture cord. Includes 3 WC-1 wire clips. Use HUB-HUB-12 to link multiple Hubs together.

Product	Type	Length
HUB	EC	12
HUB Power Hub	EC Extension Cord HUB Hub to Hub	12 12 Feet



Wire Clips

Wire Clips keep wires organized. Secure with screws or double-sided tape (included). 3 wire clips provided for each fixture. Also sold separately.

Product	Type
WC	1
WC Wire Clip	1 Standard

PROJECT:

FIXTURE
TYPE:

DATE:



Electronic 60 Watt AC Transformer with Rectangle Canopy Cover

TE-60L-12 Electronic 60 Watt 12 Volt AC hard wire fits inside single gang electrical box covered with a white 3" rectangular canopy, powering the Dots and Pucks.

Product	Wattage	Voltage	Type	Finish
TE	60L	12AC	3RE	WH
TE Transformer Electronic	60L 60 Watt LED	12AC 12 Volt AC	3RE 3 Inch Rectangle Canopy Cover	WH White



Electronic 60 Watt LED AC Transformer Plug-In

Plug-In version of the TE-60-12 Electronic 60 Watt 12 Volt AC Transformer includes 10 ft of cord and DC Connector to plug into the HUB-4P or HUB-8P powering the Dots and Pucks.

Product	Wattage	Voltage	Type
TE	60L	12AC	P
TE Transformer Electronic	60L 60 Watt LED	12AC 12 Volt AC	P Plug In



Electronic 60 Watt LED AC Transformer

TE-60L-12 Electronic 60 Watt 12 Volt AC Transformer fits inside single gang, rectangular electrical box for powering the Dots and Pucks. Dims down to 1% before flickering and slight buzzing.

Product	Wattage	Voltage
TE	60L	12
TE Transformer Electronic	60L 60 Watt LED	12 12 Volt AC



3" Rectangle and 4" Round Canopy Cover

The white rectangle or round canopy cover conceals the TE-60L-12 LED transformer (sold separately) inside a single gang box to power Dots and Pucks.

Product	Finish
3RE	WH
3RE 3 Inch Rectangle Canopy Cover	WH White
4RD 4 Inch Round Canopy Cover	

PROJECT:

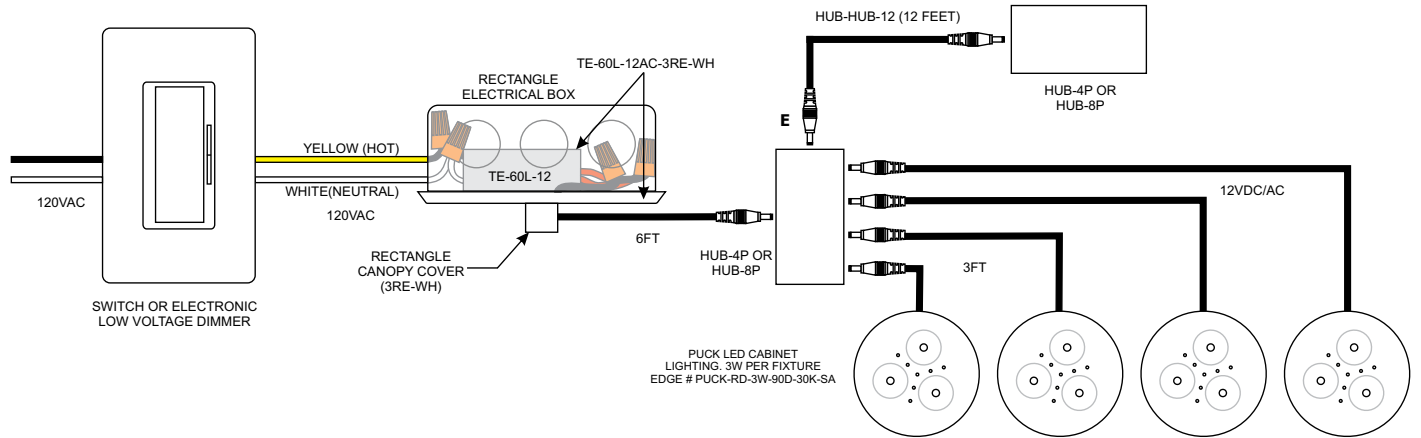
FIXTURE
TYPE:

DATE:

Application: Electronic low-voltage dimming for 4 Puck LED fixtures

Power Supply: 60 watt, 120 volt input, 12 volt AC output **TE-60L-12**

Dimming: Dimmable with low voltage electronic dimmer using power supply above.
See power supply spec sheet for additional details.
Lutron: Diva #DVELV-300P; Skylark #SELV-300P dimmers are recommended

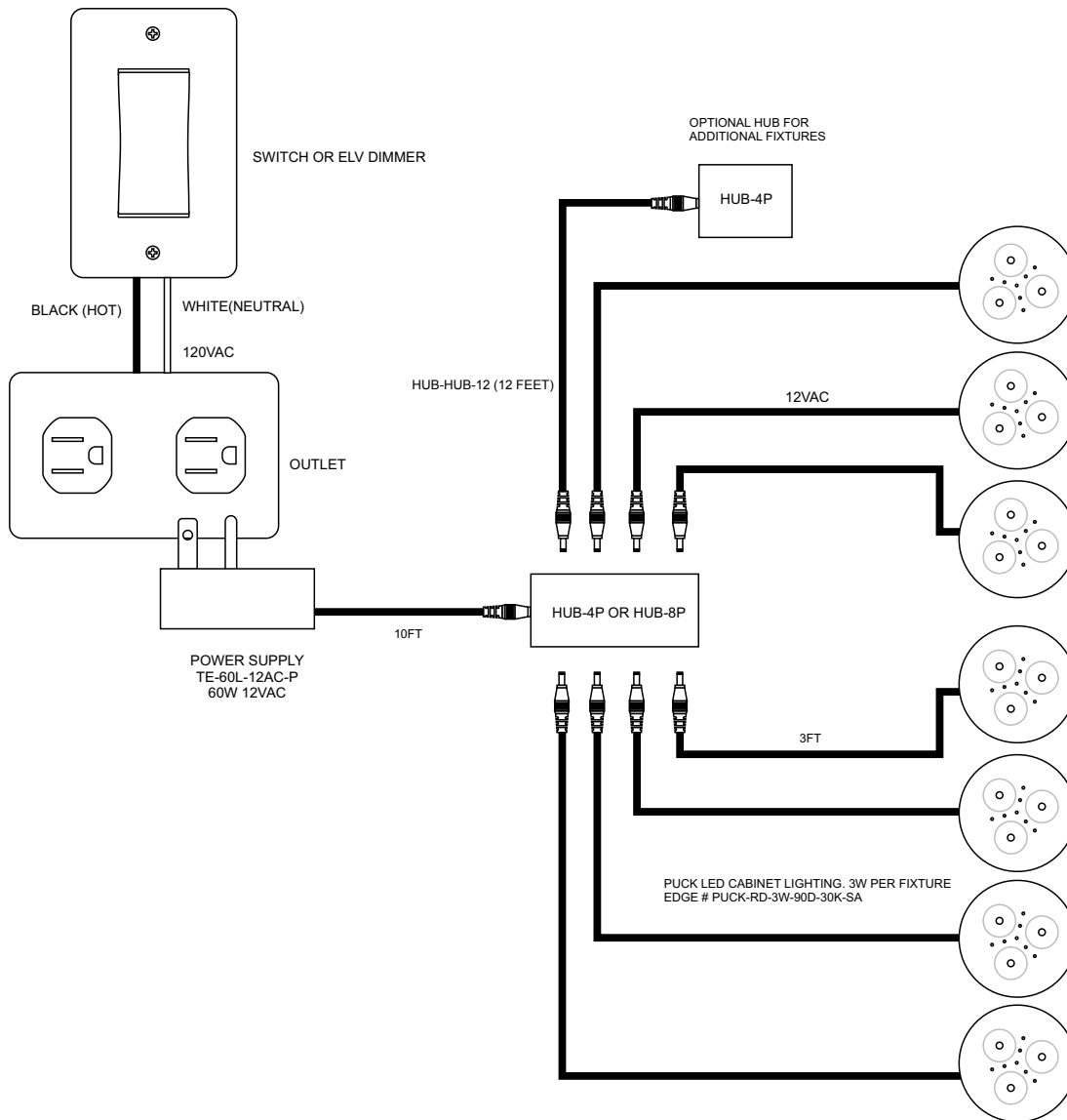


PROJECT:

FIXTURE TYPE:

DATE:

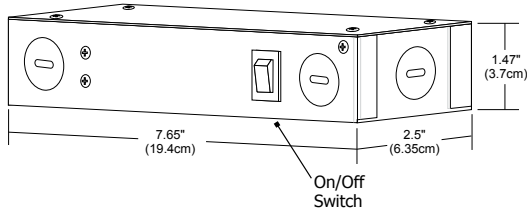
- Application:** Electronic low-voltage dimming for 7 Puck LED fixtures
- Power Supply:** 60 watt, 120 volt input, 12 volt AC output **TE-60L-12AC-P**
- Dimming:** Dimmable with low voltage electronic dimmer using power supply above.
See power supply spec sheet for additional details.
Lutron: Diva #DVELV-300P; Skylark #SELV-300P dimmers are recommended



PROJECT:

FIXTURE TYPE:

DATE:



Description:

LED power supplies transform and regulate power from a line voltage power source into low voltage power for use with LED lighting. The TEB-60L-12DC power supply accepts input voltage of 120 volts AC and outputs 12 volts DC power up to 60 watts. The low voltage output may be dimmed using an electronic low voltage dimmer (sold separately). Minimum load 15 watts. The aluminum enclosure with service shutoff switch allows electrical connections to be made inside the box. Knockouts are provided for use with 1/2" conduit. Comes with on/off switch and may also be ordered with a 6 foot cord/plug.

Applications:

Indoor

Power Input:

120 volts AC, 60Hz

Power Output:

12 volts DC 4.8A 60 watt maximum

Dimensions:

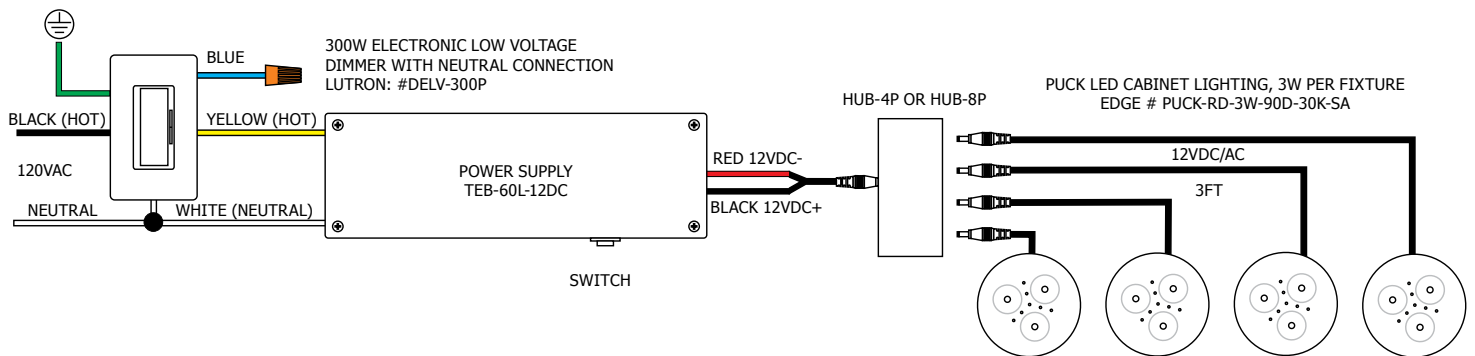
7.65" x 2.5" x 1.47"

Dimmer Type:

Electronic Low Voltage Dimmer Lutron: Diva #DVELV-300P; Skylark #SELV-300P

Product	Wattage	Voltage	Input Voltage
TEB	60L	12DC	Standard 120V (leave blank)
<small>TEB Transformer Electronic with Enclosure Box</small>	<small>60L 60 Watt LED</small>	<small>12DC 12 Volt DC</small>	<small>P Plug-In</small>

Wiring example for dimming applications



PROJECT:

FIXTURE TYPE:

DATE: