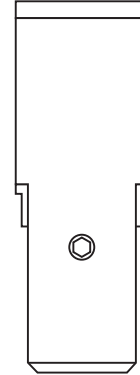


## Installation Instructions for **Monorail 2 Circuit 1" Rigid Standoff**

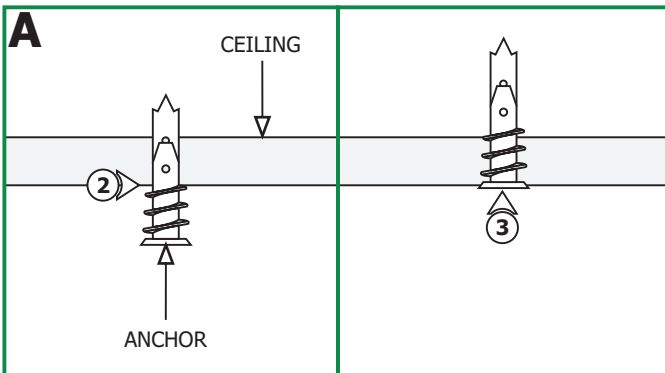
### IMPORTANT INFORMATION

- This product is ETL listed for indoor dry locations.
- The product is intended to be used with Edge Lighting Monorail 2 circuit systems only.
- Use Monorail 2 circuit standoffs where the Monorail 2 Circuit sections join together and approximately every 3 feet throughout the Monorail 2 Circuit run.

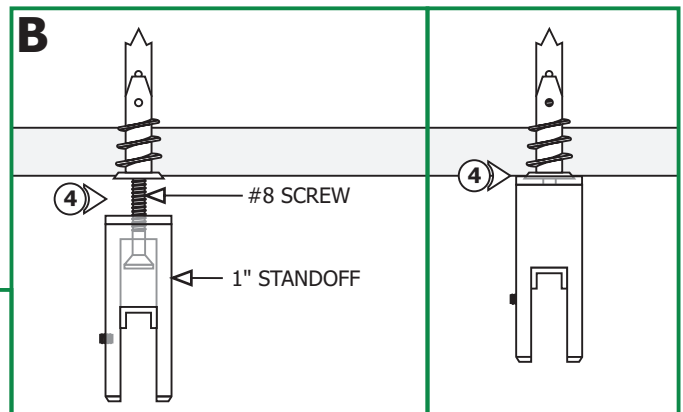
**SAVE THESE INSTRUCTIONS!**



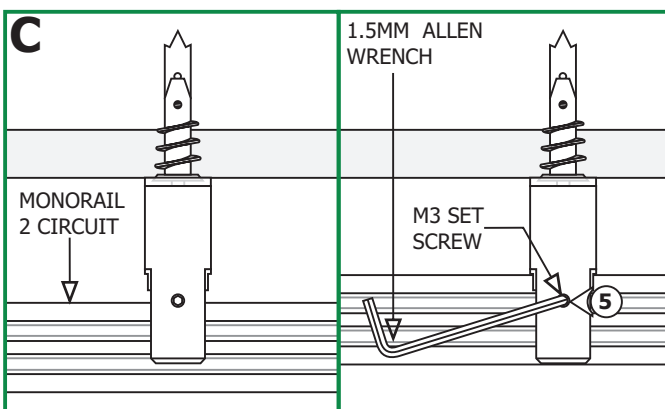
### Install the Standoff



- 1: Hold the Monorail 2 Circuit section against the ceiling or use a plumb bob to mark the standoff locations onto the ceiling (this may require more than one person).
- 2: Tap the anchors onto the marked locations up to the threaded portion with a hammer.
- 3: Screw the threaded portion of the anchors in with a Phillips screwdriver.



- 4: Mount the standoffs onto the anchors with the #8 screws provided. **Make sure that the cut out portion of the standoffs lines up with the Monorail.**



- 5: Slide Monorail into the cut out portion of the standoffs. Hold the Monorail against the standoffs (this may require more than one person) and tighten the M3 set screw on each standoff with the 1.5mm Allen wrench.