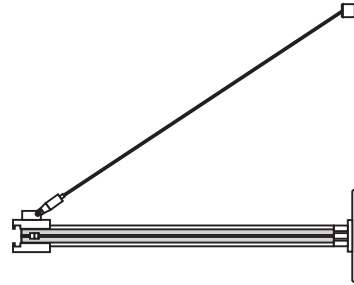


Installation Instructions for Monorail 2 Circuit Out Rigger Power Feed

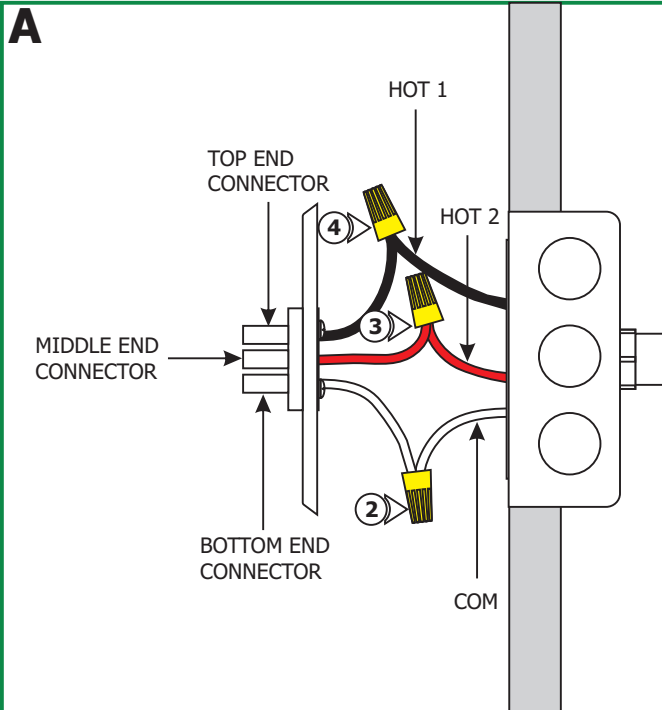
IMPORTANT INFORMATION

- This product is ETL listed for indoor dry locations.
- This product can be installed to a 4" electrical box with round plaster ring, or to an octagon electrical box.
- Minimum electrical box volume must be 6 cubic inches (98 cubic centimeters).
- This product should be installed by a qualified electrician.

SAVE THESE INSTRUCTIONS!



Install the Power Feed Canopy



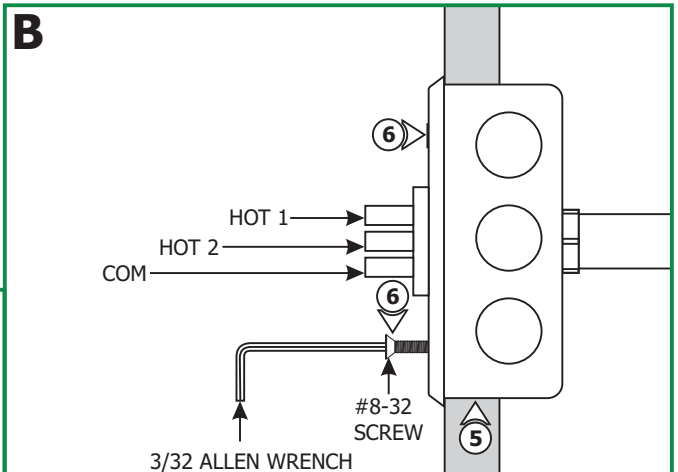
NOTE: Use the universal round crossbar (provided) if the electrical box holes are not spaced 2-3/4" apart.

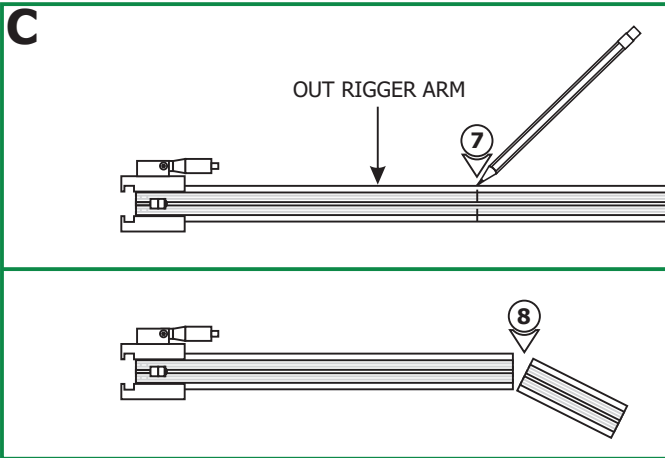
NOTE: The low voltage wires should be present in the electrical box. Refer to the instructions provided with the remote transformer to install the transformer and the low voltage wires before proceeding with the steps below.

- 1: Turn the power to electrical box off.
- 2: Connect the wire that is attached to the bottom end connector (white wire) to the low voltage wire marked "COM" with a wire nut.
- 3: Connect the wire that is attached to the middle end connector (red wire) to the low voltage wire marked "HOT 2" with a wire nut.
- 4: Connect the wire that is attached to the top end connector (black wire) to the low voltage wire marked "HOT 1" with a wire nut.

5: Place all wires and wire nut connections inside the electrical box.

6: Secure the power feed canopy to the electrical box by tightening the two provided #8-32 screws with the 3/32 Allen wrench.





7: From the end of the out rigger arm, mark the point where the out rigger arm needs to be shortened. **(Optional)**

8: Cut at the marked point with a hacksaw.

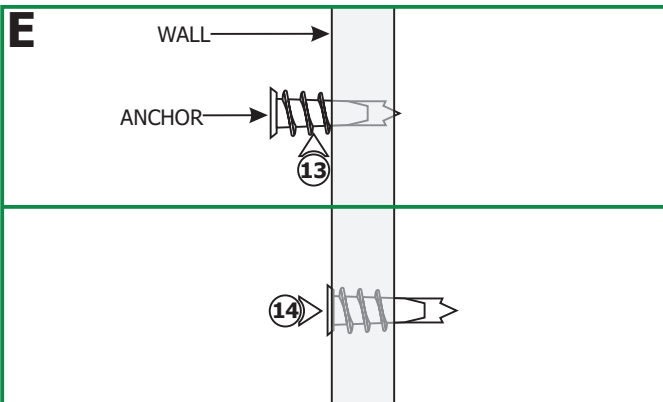
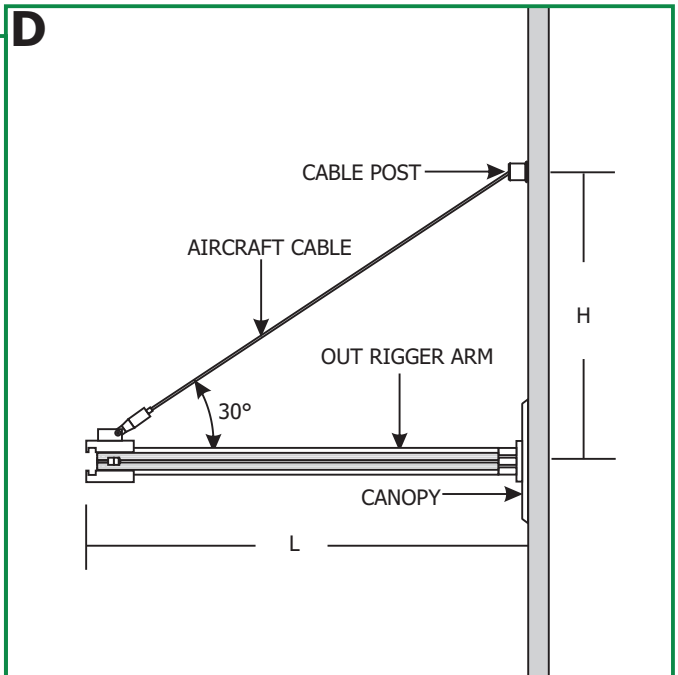
9: Clean the inside and the outside burrs where cut.

10: The cable post should be installed above the power feed canopy so that there is a minimum of a 30° angle between the out rigger arm and the aircraft cable to properly lock the aircraft cable in position.

11: Use the tables below to determine the cable post position relative to the out rigger arm for various angles.

ANGLE	EQUATION FOR HEIGHT (H)
30°	$H = 0.6 \times L$
45°	$H = L$
60°	$H = 1.7 \times L$

LENGTH(L)	(H) FOR 30°	(H) FOR 45°	(H) FOR 60°
36"	21"	36"	62"
24"	14"	24"	42"
12"	7"	12"	21"

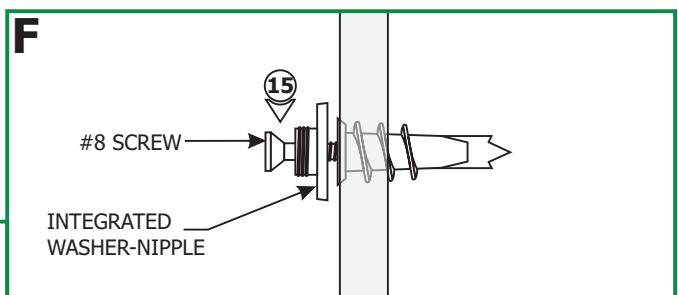


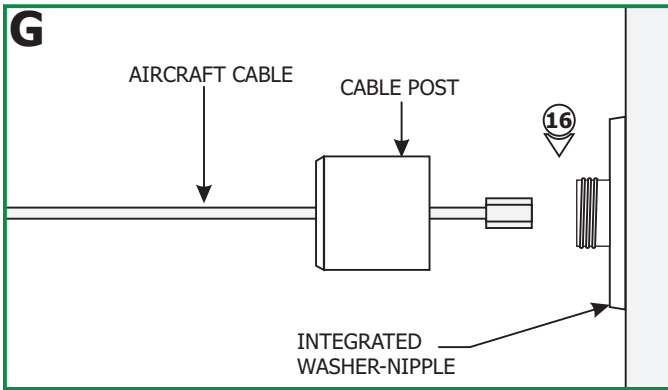
12: Mark the cable post location on the wall above the canopy. (See table above for measurements).

13: Using a hammer tap in the anchor on the marked location up to the threaded portion.

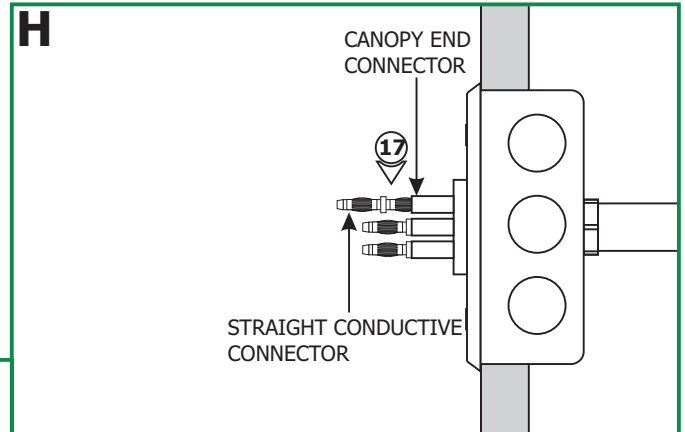
14: Screw in the threaded portion of the anchor with a Phillips screwdriver.

15: Mount the integrated washer-nipple to the anchor using the #8 screw provided.

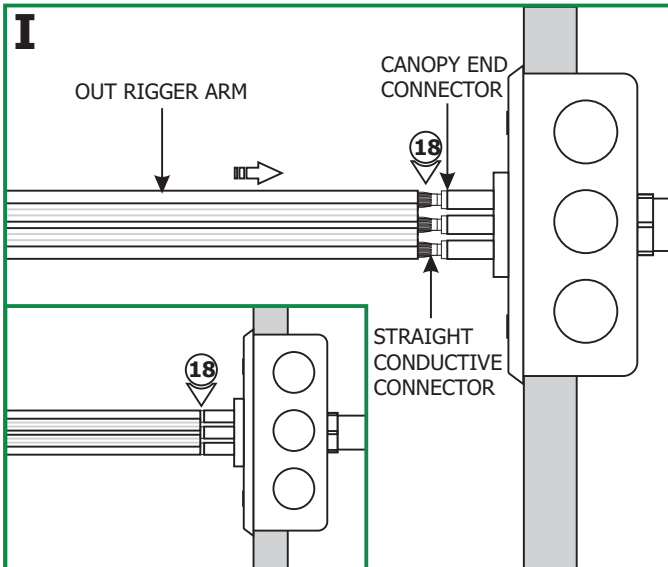




16: Feed the aircraft cable through the cable post and screw the cable post completely onto the integrated washer-nipple.

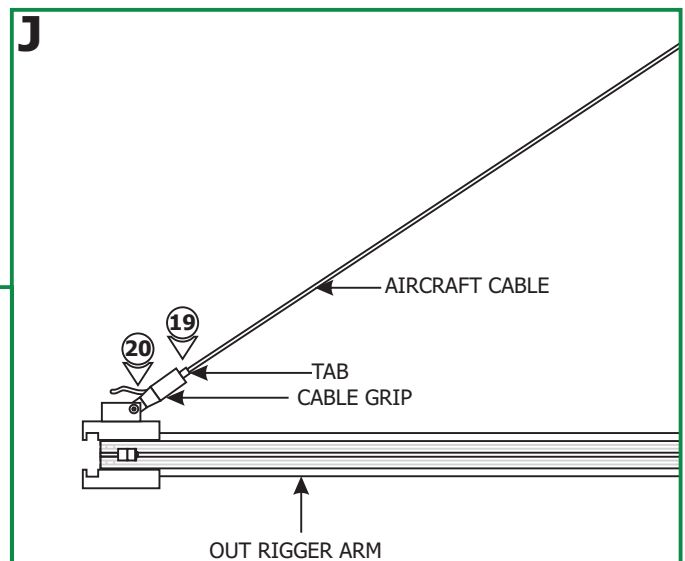


17: Push the straight conductive connectors into the canopy end connector.

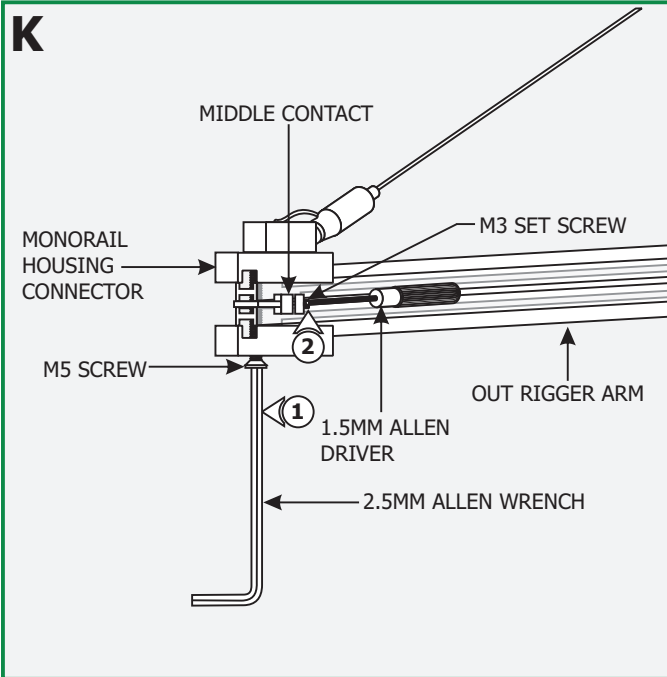


18: Push the out rigger arm entirely onto the straight conductive connectors and hold it in place.

- 19:** While holding the out rigger arm in place, feed the aircraft cable through the cable grip by pushing the tab down.
- 20:** Pull the aircraft cable out through the hole on the cable grip. Adjust the out rigger arm so that it is perpendicular to the wall, release the tab to lock the out rigger arm in place.
- 21:** Trim off the excess aircraft cable coming out of the cable grip.



Install the Monorail 2 Circuit to Out Rigger Power feed



- 1:** Slightly loosen the M5 screw on the bottom of Monorail 2 circuit housing connector, **(Do Not Remove)** with the 2.5mm Allen wrench.
- 2:** Loosen the two M3 set screws on the Monorail 2 circuit housing middle contact **(Do Not Remove)** with the 1.5mm Allen driver provided.

- 3:** Slide the Monorail 2 circuit through the opening of Monorail 2 circuit housing connector. Make sure that the Monorail 2 circuit is supported by the Monorail 2 circuit outrigger standoffs. (Refer to the instructions provided with the Monorail 2 circuit outrigger standoffs).
- 4:** Adjust the Monorail 2 circuit in the Monorail 2 circuit housing connector and tighten the M5 screw firmly with the 2.5mm Allen wrench for proper power connection.
- 5:** Tighten the two M3 set screws firmly on the Monorail 2 Circuit firmly housing middle contact with the 1.5mm Allen driver for proper power connection.

