



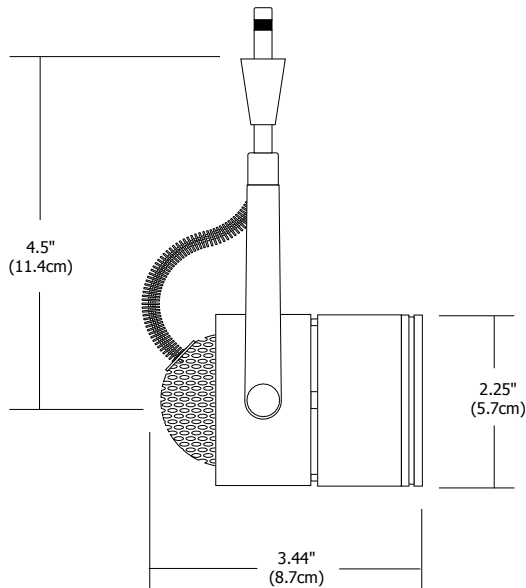
Compatible System Connectors



M-TRI-4-SN
Fast Jack Triumph in Satin Nickel.
Shown with Monorail connector.



M-TRI-4-PN
Fast Jack Triumph with
Hexcell Louver in Polished Nickel.
Shown with Monorail connector.



FJ-TRI-
Fast Jack Triumph connects
to any Monorail, Monorail 2-Circuit or
Fast Jack Canopy Connector.

Description:

Fast Jack Triumph fixture head features a 4.5" (11.4cm) length to center of head, rotates 360° and tilts 290°. Holds a single glass lens or hexcell louver.

System:

Mounts to any Fast Jack power canopy, Monorail Fast Jack connector or Monorail 2 Circuit Fast Jack connector.

Body Finish:

Satin Nickel or Polished Nickel

Lamp Specification:

Up to 50 watt MR16 lamp GU5.3 bi-pin base - 12/24 volt (not included)

Lens & Louver Accessories (sold separately):

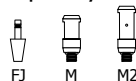
Compatible optical controls - Hexcell Louver, Glass Lenses

Weight:

.84 lb (.38 kg)

System	Fixture	Height	Finish
FJ	TRI	4	SN
FJ Fast Jack	TRI Triumph	4 4.5" (11.4cm)	SN Satin Nickel
M Monorail			PN Polished Nickel
M2 Monorail 2 Circuit			

Compatible System Connectors



PROJECT:

FIXTURE
TYPE: 4 4.49" (11.4cm)

DATE: