



Designed by Gregory Kay - Patent Pending

Compatible System Connectors



FJ-SCO-1-SN
Satin Nickel with
Scope Accessory, **SCO-A**



FJ-SCO-1-PN
Polished Nickel



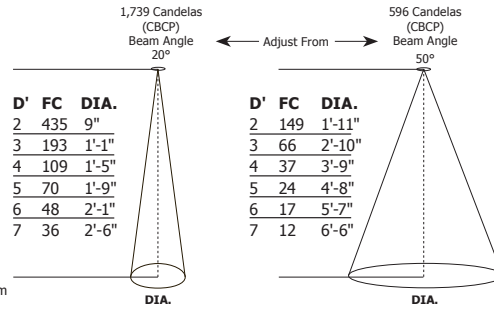
FJ-SCO-1-BZ
Antique Bronze



FJ-SCO-1-WH
White



Adjust Beam by
turning **LED** Lens



D - Distance from SCOPE **LED** fixture
FC - Initial footcandles at the center of beam
DIA - Diameter

SCOPE 9.3 watt 20° = MR16 30 watt halogen
SCOPE 9.3 watt 50° = MR16 42 watt halogen
Find details on lamp data on the next page.

Description:

The Scope **LED**, a classic flat-back cylinder fixture, swivels 90° vertically. The cool-to-touch rotating lens allows adjustment of the beam angle from 20° spot to 50° flood while the fixture is lit.

System:

Mounts to any 12VAC Monorail or Monorail 2 Circuit. Use Fast Jack (FJ) version for FJ **LED** canopies

Body Finish:

Satin Nickel, Polished Nickel, Antique Bronze or White

Lamp Specification:

12VAC **LED**, 70% lumen maintenance based on 50,000 hours of operation

BEAM SPREAD	LUMENS	WATTS	EQUIVALENT TO HALOGEN MR16	LUMENS PER WATT	CBCP	COLOR TEMP (K)	CRI
20 degrees	217	9.3	30 Watt	23.3	1,739	2,994	83
50 degrees	315	9.3	42 Watt	33.8	596	2,994	83

Dimming Information:

Dimmable with Lutron Skylark or Diva low voltage dimmers. For additional details, see Scope Dimming Chart at www.edgelighting.com

Optical Accessories:

SCO-A louver lens holder (includes 2500K and 2700K color correction films) houses MR16 Hexcell Louver and clear lenses (sold separately), or **ST-16** Snoot (see accessories spec sheet)

Weight:

2.4 lb (1 kg)

System: **FJ** - Fixture: **SCO** - Height: **1** - Finish: **SN**

FJ Fast Jack
M Monorail
M2 Monorail 2 Circuit

SCO Scope

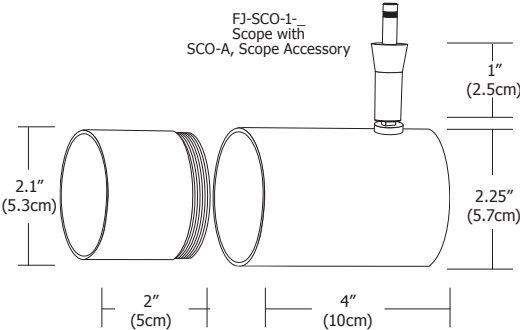
1 1" (2.5cm)

SN Satin Nickel
PN Polished Nickel
BZ Antique Bronze
WH White (use with FJ Canopy)

ACCESSORY CODE: **SCO** - Description: **A**

SCO Scope **A** Accessory

Compatible System Connectors



lighting facts
A Program of the U.S. DOE

Edge Lighting

Light Output (Lumens) 315
Watts 9.3
Lumens per Watt (Efficacy) 33

Color Accuracy 83
Color Rendering Index (CRI)

Light Color 2994 (Warm White)
Correlated Color Temperature (CCT)

2700K 3000K 4500K 6500K

Warm White Bright White Daylight

All results are according to IESNA LM-79-2008. Approved Method for the Electrical and Photometric Testing of Solid-State Lighting. The U.S. Department of Energy (DOE) verifies product test data and results.

Visit www.lightingfacts.com for the Label Reference Guide.

Registration Number: WS46-AMUD7W (Revised 8/16/2011)
Model Number: FJ.SCO.X-XX
Type: Other



2010 Award, Lighting for Tomorrow

PROJECT:

FIXTURE TYPE:

DATE:



Compatible System Connectors



Efficacy
23.3 Lm/W

Beam Angle (50%)
20°

CBCP
1,739

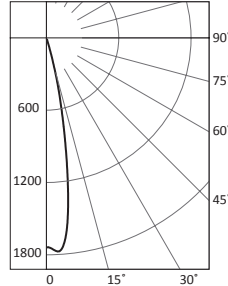
Wattage
9.3 watt LED

Luminous Diameter
2.19

Rated Life
50,000 Hrs.

SCOPE 9.3 watt 20°= MR16 30 watt halogen

Degree	Candela
0	1739
5	1706
15	231
25	7
35	2
45	1



Efficacy
33.9 Lm/W

Beam Angle (50%)
50°

CBCP
596

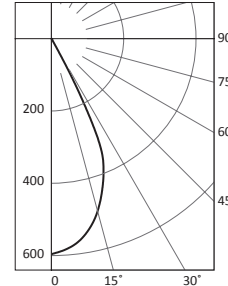
Wattage
9.3 watt LED

Luminous Diameter
2.19

Rated Life
50,000 Hrs.

SCOPE 9.3 watt 50°= MR16 41 watt halogen

Degree	Candela
0	596
5	580
15	494
25	305
35	4
45	1



0° Aiming Angle Horizontal Foot Candles		30° Aiming Angle Vertical Foot Candles		45° Aiming Angle Vertical Foot Candles																																																																																																											
<p>D FC DIA.</p> <table border="1"> <tr><td>4'</td><td>109</td><td>1.4'</td></tr> <tr><td>6'</td><td>48</td><td>2.1'</td></tr> <tr><td>8'</td><td>27</td><td>2.8'</td></tr> <tr><td>10'</td><td>17</td><td>3.5'</td></tr> </table> <p>DIA.</p>	4'	109	1.4'	6'	48	2.1'	8'	27	2.8'	10'	17	3.5'	<p>SCOPE 20 DEGREE</p>	<p>L W</p> <table border="1"> <tr><td>1.6'</td><td>9"</td></tr> <tr><td>3.1'</td><td>1.4'</td></tr> <tr><td>4.7'</td><td>2.1'</td></tr> <tr><td>6.2'</td><td>2.8'</td></tr> </table> <p>D C FC</p> <table border="1"> <tr><td>1</td><td>1.7'</td><td>217</td></tr> <tr><td>2'</td><td>3.5'</td><td>54</td></tr> <tr><td>3'</td><td>5.2'</td><td>24</td></tr> <tr><td>4'</td><td>6.9'</td><td>14</td></tr> </table>	1.6'	9"	3.1'	1.4'	4.7'	2.1'	6.2'	2.8'	1	1.7'	217	2'	3.5'	54	3'	5.2'	24	4'	6.9'	14	<p>L W</p> <table border="1"> <tr><td>2.2'</td><td>1.5'</td></tr> <tr><td>2.9'</td><td>2.0'</td></tr> <tr><td>3.6'</td><td>2.5'</td></tr> <tr><td>4.4'</td><td>3.0'</td></tr> </table> <p>D C FC</p> <table border="1"> <tr><td>3'</td><td>3'</td><td>68</td></tr> <tr><td>4'</td><td>4'</td><td>38</td></tr> <tr><td>5'</td><td>5'</td><td>25</td></tr> <tr><td>6'</td><td>6'</td><td>17</td></tr> </table>	2.2'	1.5'	2.9'	2.0'	3.6'	2.5'	4.4'	3.0'	3'	3'	68	4'	4'	38	5'	5'	25	6'	6'	17	<p>D FC DIA.</p> <table border="1"> <tr><td>4'</td><td>37</td><td>3.7'</td></tr> <tr><td>6'</td><td>17</td><td>5.6'</td></tr> <tr><td>8'</td><td>9</td><td>7.5'</td></tr> <tr><td>10'</td><td>6</td><td>9.3'</td></tr> </table> <p>DIA.</p>	4'	37	3.7'	6'	17	5.6'	8'	9	7.5'	10'	6	9.3'	<p>SCOPE 50 DEGREE</p>	<p>L W</p> <table border="1"> <tr><td>10.7'</td><td>1.9'</td></tr> <tr><td>21.5'</td><td>3.7'</td></tr> <tr><td>32.2'</td><td>5.6'</td></tr> <tr><td>42.9'</td><td>7.5'</td></tr> </table> <p>D C FC</p> <table border="1"> <tr><td>1'</td><td>1.7'</td><td>75</td></tr> <tr><td>2'</td><td>3.5'</td><td>19</td></tr> <tr><td>3'</td><td>5.2'</td><td>8</td></tr> <tr><td>4'</td><td>6.9'</td><td>5</td></tr> </table>	10.7'	1.9'	21.5'	3.7'	32.2'	5.6'	42.9'	7.5'	1'	1.7'	75	2'	3.5'	19	3'	5.2'	8	4'	6.9'	5	<p>L W</p> <table border="1"> <tr><td>7.2'</td><td>4.0'</td></tr> <tr><td>9.5'</td><td>5.3'</td></tr> <tr><td>11.9'</td><td>6.6'</td></tr> <tr><td>14.3'</td><td>7.9'</td></tr> </table> <p>D C FC</p> <table border="1"> <tr><td>3'</td><td>3.0'</td><td>24</td></tr> <tr><td>4'</td><td>4.0'</td><td>13</td></tr> <tr><td>5'</td><td>5.0'</td><td>8</td></tr> <tr><td>6'</td><td>6.0'</td><td>6</td></tr> </table>	7.2'	4.0'	9.5'	5.3'	11.9'	6.6'	14.3'	7.9'	3'	3.0'	24	4'	4.0'	13	5'	5.0'	8	6'	6.0'	6
	4'	109	1.4'																																																																																																												
6'	48	2.1'																																																																																																													
8'	27	2.8'																																																																																																													
10'	17	3.5'																																																																																																													
1.6'	9"																																																																																																														
3.1'	1.4'																																																																																																														
4.7'	2.1'																																																																																																														
6.2'	2.8'																																																																																																														
1	1.7'	217																																																																																																													
2'	3.5'	54																																																																																																													
3'	5.2'	24																																																																																																													
4'	6.9'	14																																																																																																													
2.2'	1.5'																																																																																																														
2.9'	2.0'																																																																																																														
3.6'	2.5'																																																																																																														
4.4'	3.0'																																																																																																														
3'	3'	68																																																																																																													
4'	4'	38																																																																																																													
5'	5'	25																																																																																																													
6'	6'	17																																																																																																													
<p>D FC DIA.</p> <table border="1"> <tr><td>4'</td><td>37</td><td>3.7'</td></tr> <tr><td>6'</td><td>17</td><td>5.6'</td></tr> <tr><td>8'</td><td>9</td><td>7.5'</td></tr> <tr><td>10'</td><td>6</td><td>9.3'</td></tr> </table> <p>DIA.</p>	4'	37	3.7'	6'	17	5.6'	8'	9	7.5'	10'	6	9.3'	<p>SCOPE 50 DEGREE</p>	<p>L W</p> <table border="1"> <tr><td>10.7'</td><td>1.9'</td></tr> <tr><td>21.5'</td><td>3.7'</td></tr> <tr><td>32.2'</td><td>5.6'</td></tr> <tr><td>42.9'</td><td>7.5'</td></tr> </table> <p>D C FC</p> <table border="1"> <tr><td>1'</td><td>1.7'</td><td>75</td></tr> <tr><td>2'</td><td>3.5'</td><td>19</td></tr> <tr><td>3'</td><td>5.2'</td><td>8</td></tr> <tr><td>4'</td><td>6.9'</td><td>5</td></tr> </table>	10.7'	1.9'	21.5'	3.7'	32.2'	5.6'	42.9'	7.5'	1'	1.7'	75	2'	3.5'	19	3'	5.2'	8	4'	6.9'	5	<p>L W</p> <table border="1"> <tr><td>7.2'</td><td>4.0'</td></tr> <tr><td>9.5'</td><td>5.3'</td></tr> <tr><td>11.9'</td><td>6.6'</td></tr> <tr><td>14.3'</td><td>7.9'</td></tr> </table> <p>D C FC</p> <table border="1"> <tr><td>3'</td><td>3.0'</td><td>24</td></tr> <tr><td>4'</td><td>4.0'</td><td>13</td></tr> <tr><td>5'</td><td>5.0'</td><td>8</td></tr> <tr><td>6'</td><td>6.0'</td><td>6</td></tr> </table>	7.2'	4.0'	9.5'	5.3'	11.9'	6.6'	14.3'	7.9'	3'	3.0'	24	4'	4.0'	13	5'	5.0'	8	6'	6.0'	6																																																								
	4'	37	3.7'																																																																																																												
6'	17	5.6'																																																																																																													
8'	9	7.5'																																																																																																													
10'	6	9.3'																																																																																																													
10.7'	1.9'																																																																																																														
21.5'	3.7'																																																																																																														
32.2'	5.6'																																																																																																														
42.9'	7.5'																																																																																																														
1'	1.7'	75																																																																																																													
2'	3.5'	19																																																																																																													
3'	5.2'	8																																																																																																													
4'	6.9'	5																																																																																																													
7.2'	4.0'																																																																																																														
9.5'	5.3'																																																																																																														
11.9'	6.6'																																																																																																														
14.3'	7.9'																																																																																																														
3'	3.0'	24																																																																																																													
4'	4.0'	13																																																																																																													
5'	5.0'	8																																																																																																													
6'	6.0'	6																																																																																																													

Verify our Light Output Comparison Chart by downloading the Energy Star Program Requirements for Integral LED Lamps. Details are shown on page 5 in the Minimum Center Beam Intensity, PAR and MR16 lamps chart.

http://www.energystar.gov/ia/partners/prod_development/revisions/downloads/lighting/ESIntegralLampsCriteria_Draft1.pdf or go to http://www.edgelighting.com/products/lighting_tools.php

PROJECT:

FIXTURE TYPE:

DATE: