



Compatible System Connectors



**FJ-HAR-5-GO-SN**  
Fast Jack Harley with Gobo Holder in Satin Nickel



**FJ-HAR-5-GO-PN**  
Fast Jack Harley with Gobo Holder in Polished Nickel



**ST16-SN**  
Snoot Included

### Description:

Harley with Gobo Holder projects a standard or custom gobo image on any surface. The focused light, from a halogen or **LED** 12VAC MR16 lamp, is shaped and magnified through the gobo holder and two convex lenses giving 25 degree beam spread - add third convex lens for 37 degree beam spread. Fixture rotates 360°, tilts 180°. For additional optical accessories, refer to Harley spec sheet.

### System Compatibility:

Monorail (M) or Monorail 2 Circuit (M2). Use Fast Jack connector (FJ) for ordering canopy mount or track transformer (sold separately)

### Height:

4.72" (12cm)

### Finish:

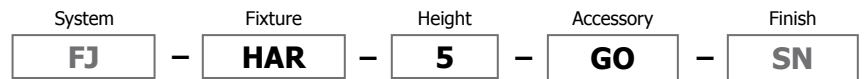
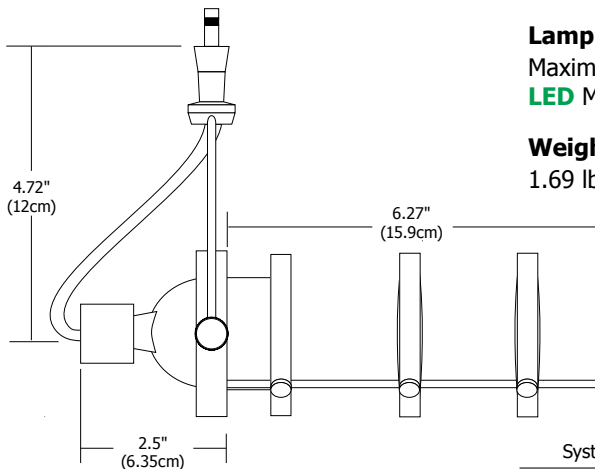
Satin Nickel or Polished Nickel

### Lamp Specification:

Maximum 75 watt MR16 lamp GU 5.3 base - 12 or 24 volt (sold separately)  
**LED** MR16-12VAC (sold separately)

### Weight:

1.69 lb (.38 kg)



**FJ** Fast Jack  
**M** Monorail  
**M2** Monorail 2 Circuit

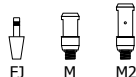
**HAR** Harley

**5** 4.7" (12cm)

**GO** Gobo

**SN** Satin Nickel  
**PN** Polished Nickel

Compatible System Connectors



PROJECT:

FIXTURE  
TYPE:

DATE: