



Compatible System Connectors



FJ-FUN-SQ-5-SN
Fast Jack Function Square
in Satin Nickel



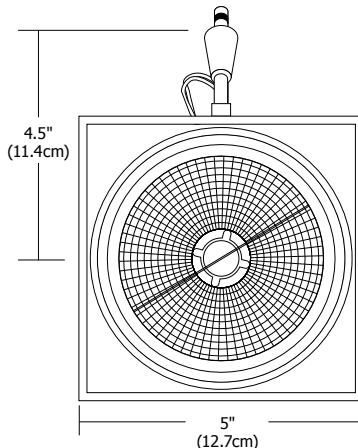
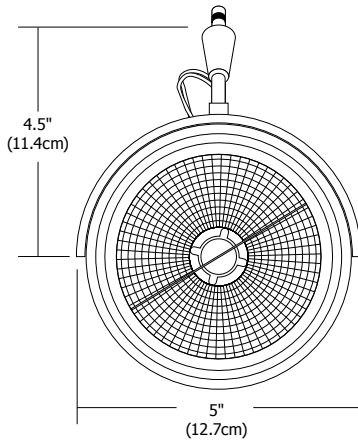
FJP-4SQ-SN
Canopy & Transformer
in Satin Nickel



FJP-4RD-SN
Canopy & Transformer
in Satin Nickel

FJ-FUN-SQ-5-SN
Function Square Head
in Satin Nickel

FJ-FUN-RD-5-SN
Function Round Head
in Satin Nickel



Description:

The geometric Function head performs as a long range spotlight using an AR111 low voltage halogen lamp. Available in round or square versions, the easily adjustable accent light rotates 360° and tilts 180°.

System Compatibility:

Monorail (M) or Monorail 2 Circuit (M2). Use Fast Jack connector (FJ) when ordering canopy mount or track transformer (sold separately)

Height:

4.5" (11.4cm)

Finish:

Satin Nickel or Polished Nickel

Lamp Specification:

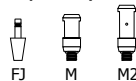
Maximum 75 watt AR111 lamp with screw terminals – 12 volt (sold separately)

Weight:

.30 lb (.14 kg)

System	Fixture	Type	Height (H)	Finish
FJ	FUN	RD	5	SN
FJ Fast Jack M Monorail M2 Monorail 2 Circuit	FUN Function	RD Round Single Head SQ Square Single Head	5 4.5" (11.4cm)	SN Satin Nickel PN Polished Nickel

Compatible System Connectors



PROJECT:

FIXTURE
TYPE:

DATE: