

FORM ROUND & SQUARE 2-HEAD

FAST JACK FIXTURE HEAD



REV.12.15.09
Designed by Gregory Kay

Compatible System Connectors



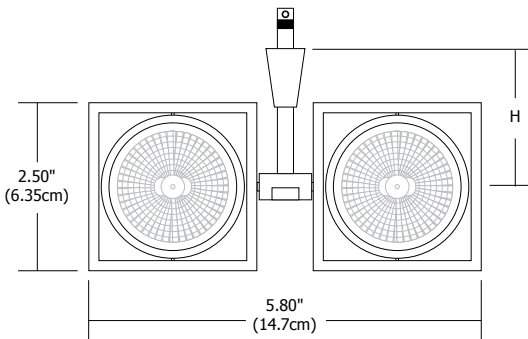
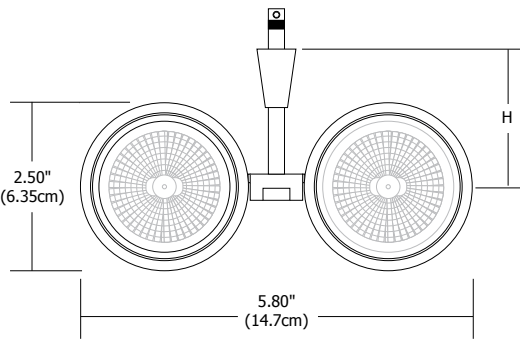
FJ-FOR-2RD-48-PN
Polished Nickel



FJ-FOR-2RD-3-SN
Satin Nickel



FJ-FOR-2SQ-3-PN
Polished Nickel



Description:

The lightweight, geometric Form 2-Head functions with an MR16 halogen or MR16 12VAC LED lamp. Each easy-aiming head rotates 360° and tilts 180° independently. The easy-to-aim fixture is available in round or square versions and holds one accessory lens or louver per head.

System Compatibility:

Monorail (M) or Monorail 2 Circuit (M2). Use Fast Jack connector (FJ) for ordering canopy mount or track transformer (sold separately)

Height:

3" (7.6cm), 6" (15.2cm), 12" (30.5cm), 24" (61cm), 36" (91.4cm) or 48" (122cm)

Finish:

Satin Nickel or Polished Nickel

Lamp Specification:

Maximum 37 watt IR MR16 lamp GU 5.3 base - 12 or 24 volt (sold separately)

LED MR16-12VAC compatible (sold separately)

Optical Accessories (sold separately):

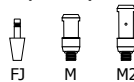
Hexcell Louver, Glass Lenses or Snoot

Weight:

.40 lb (.18 kg)

System	Fixture	Type	Height (H)	Finish
FJ	FOR	2RD	3	SN
FJ Fast Jack	FOR Form	2RD Round 2-Head	3 3" (7.6cm)	SN Satin Nickel
M Monorail		2SQ Square 2-Head	6 6" (15.2cm)	PN Polished Nickel
M2 Monorail 2 Circuit			12 12" (30.5cm)	
			24 24" (61cm)	
			36 36" (91.4cm)	
			48 48" (122cm)	

Compatible System Connectors



PROJECT:

FIXTURE
TYPE:

DATE: