



FJ-CHO-3-PN
Polished Nickel



FJ-CHO-1-SN
Satin Nickel with LED MR16



FJ-CHO-1-SN-S6-SN
Satin Nickel with Satin Nickel S6 Shade



FJ-CHO-1-PN-S7-PN
Polished Nickel with Polished Nickel S7 Shade



FJ-CHO-1-BZ-LH16-BZ
Antique Bronze with Antique Bronze Louver Lens Holder

Description:

Combining simple shapes with beveled edges, the Chopper functions with an MR16 halogen or MR16 12VAC LED lamp with S7 shade or no shade. The fixture rotates 360°, tilts 270°; accommodates shades and optical accessories with louver lens holder.

System Compatibility:

Monorail (M) or Monorail 2 Circuit (M2). Use Fast Jack connector (FJ) for ordering canopy mount or track transformer (sold separately)

Height:

1" (2.5cm), 3" (7.6cm) 6" (15.2cm), 12" (30.5cm) or 18" (45.7cm)

Finish:

Satin Nickel, Polished Nickel or Antique Bronze

Lamp Specifications:

Maximum 75 watt MR16 lamp GU 5.3 base - 12 or 24 volt (sold separately)
LED MR16-12VAC compatible with no shade or S7 Mesh Shade (sold separately)

Optional Shade Accessories (sold separately):

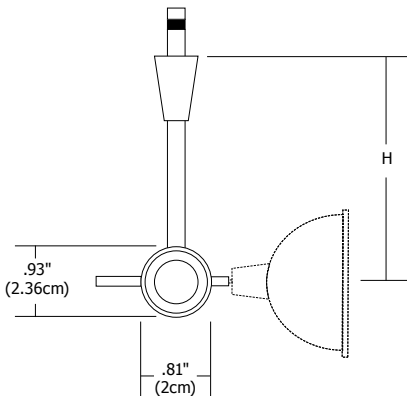
S6 - Solid Back Shade or S7 - Mesh Back Shade, LH16 - Louver Lens Holder

Optical Accessories (sold separately):

Hexcell Louver, Glass Lenses or Snoot

Weight:

.35 - .45 lb (.16 - .20 kg)



System	Fixture	Height (H)	Finish	Accessory	Finish
FJ	CHO	1	SN	S6	SN

FJ Fast Jack
M Monorail
M2 Monorail 2 Circuit

CHO Chopper

1 1" (2.5cm)
3 3" (7.6cm)
6 6" (15.2cm)
12 12" (30.5cm)
18 18" (45.7cm)

SN Satin Nickel
PN Polished Nickel
BZ Antique Bronze

S6 Solid Back Shade
S7 Mesh Back Shade
LH16 Louver Lens Holder

SN Satin Nickel (S6, LH16)
PN Polished Nickel
BZ Antique Bronze
BK Black (S6, S7)

Compatible System Connectors



PROJECT:

FIXTURE
TYPE:

DATE: