

# VEGA OVAL



**Description:** Vega Oval suspension features top and bottom white glass diffusers and a silver, black or white body finish. 80" (203cm) of field adjustable mounting cable. Also available in halogen (2 x 150W T10 double envelope lamps) or two different compact fluorescent (2 x 26W or 2 x 32W T4 lamps) versions in 120V, 230V (50Hz) or 277V (60Hz). Lamps and electronic ballast included. General light distribution.

**Diffuser:** White

**Body Finish:** Silver, Black or White

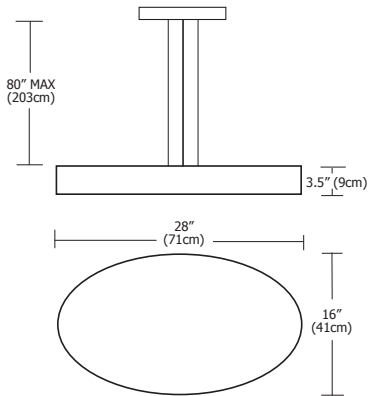
**Lamp:**  
**HALOGEN (H)**  
 H1 - 2xT10/MED/150W  
**FLUORESCENT (F)**  
 F1 - 2xT4/GX24Q-3/26W  
 F2 - 2xT4/GX24Q-3/32W

**Total Wattage:** H1 - 300W  
 F1 - 52W - 3500K  
 F2 - 64W - 3500K

**Dimmer:** Halogen - incandescent  
 Fluorescent - electronic ballast; not dimmable

**Dimensions:** L 28" x W 16" x H 3.5"  
 L 71cm x W 41cm x H 9cm

**Weight:** 18 lbs (8 kg)



Ordering Code	Description	Lamp	Finish	Voltage
<b>VEGA</b>	<b>OV</b> -OV - Oval	<b>H1</b> -H1 - Halogen -F1 - Fluorescent -F2 - Fluorescent	<b>SI</b> -SI - Silver -BK - Black -WH - White	Standard 120V (leave blank) -2 - 230V 50Hz -3 - 277V 60Hz (F1 and F2 only)

COMPANY:	FIXTURE TYPE:	DATE:
PROJECT:	CONSULTANT:	APPROVED BY: