

# ROCKY CEILING



**Description:** Rocky downlight, a water tight ceiling mounted accent and general lighting fixture, features high temperature silicone o-rings that create a weather tight seal. A removable, lockable shield with fasteners retains a glass lens and a louver accessory. Forged from marine grade 316 stainless steel and brushed to a satin finish, the H1 version includes a 20 watt MR16 halogen lamp and low-voltage electronic transformer. The H2 version is constructed of aluminum with a satin finish and includes a 35 watt MR16 halogen lamp. General downward light distribution. Can be used indoors and outdoors. IP65.



**Body Finish:** H1 - Brushed Stainless Steel  
H2 - Satin Aluminum

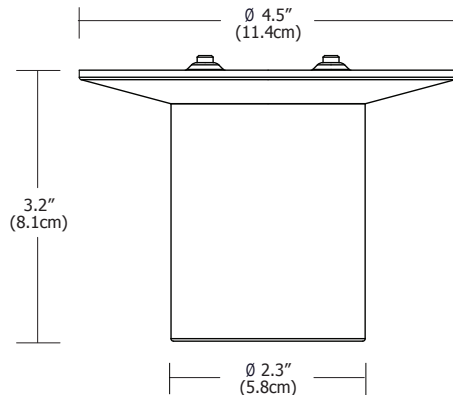
**Lamp:** **HALOGEN (H)**  
H1 - MR16/IR/20W  
H2 - MR16/GU10/35W

**Total Wattage:** H1 - 20W  
H2 - 35W

**Dimmer:** H1 - Low voltage electronic  
H2 - Incandescent

**Dimensions:** Ø 4.5" x H 3.2"  
Ø 11.4cm x H 8.1cm

**Weight:** H1/H2 - 2 lbs (.9 kg)



Ordering Code	Type	Lamp / Finish	Voltage
<b>ROC</b>	<b>C</b> -C - Ceiling	<b>H1 - SS</b> -H1 - Halogen -H2 - Halogen -SS - Brushed Stainless Steel -SA - Satin Aluminum	Standard 120V (leave blank)

COMPANY:	FIXTURE TYPE:	DATE:
PROJECT:	CONSULTANT:	APPROVED BY: