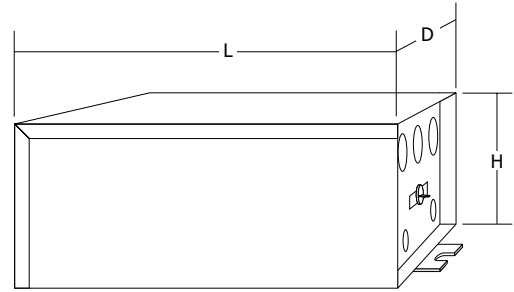




T-300-12



300 Watt 12 Volt Magnetic Remote Mount Transformer

Transformers convert line voltage into 12 volt power and are protected by fast-acting circuit breakers. The safe-to-touch low voltage output powers Monorail systems up to 300 watts using 12 volt lamps. All 12 volt remote magnetic transformers are LED compatible with 12 volt AC LEDs.

Power Input:

120 volts AC 2.5 Amp
230 volt AC 1.3 Amp
277 volt AC 1.1 Amp

Power Output:

12 volts AC 300 watt 25 Amp

Installation:

Remote magnetic transformers must be installed in an accessible location, such as an attic or in a closet, up to 20 feet from the power feed canopy. Plug in version available.

Dimming:

Halogen: 600 Watt Magnetic Low Voltage Dimmer. Compatible dimmers are connected on the line voltage side of transformers. Some buzzing may occur at low levels and may be reduced with a de-buzzing coil. Visit www.edgelighting.com for up-to-date LED dimming information.

Dimensions:

8.75"(L) x 4.4"(D) x 3.8"(H)
(22.2cm x 11.2cm x 9.7cm)

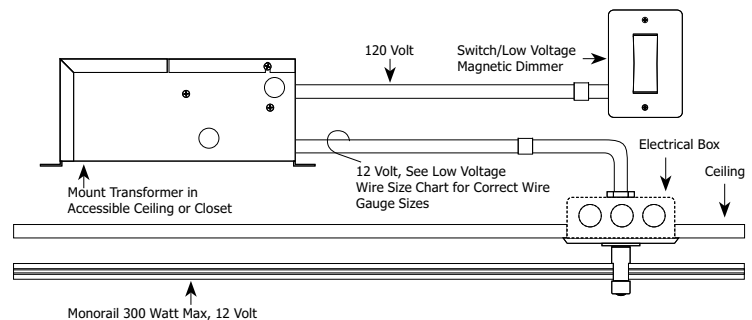
Weight:

8.41 lb (3.81 kg)

Ordering Code:

T	-	300-12	-	Standard 120V (leave blank)
T Remote Transformer		300-12 300 Watt 12 Volt		2 230V 50Hz 3 277V 60Hz P Plug-In

Compatible Power Feed Canopies					
	MP MP Monorail Power Feed	-	4RD 4" Round Canopy	- 1 1 1" (2.5cm) 6 6" (15.2) 12 12" (30.5cm) 24 24" (61cm) 36 36" (91.4cm) 48 48" (122cm) 96 96" (243.8cm)	- SN SN Satin Nickel PN Polished Nickel BZ Antique Bronze
	MP MP Monorail Power Feed	-	4RD 4" Round Canopy	- A A 12' (3.7m) Adjustable Cable	- SN SN Satin Nickel PN Polished Nickel BZ Antique Bronze
	MP MP Monorail Power Feed	-	4RD 4" Round Canopy	- FE FE Feed End Wall	- SN SN Satin Nickel PN Polished Nickel BZ Antique Bronze
	MP MP Monorail Power Feed	-	4RD 4" Round Canopy	- ME ME Adjustable Monorail Feed End	- SN SN Satin Nickel PN Polished Nickel BZ Antique Bronze
	MP MP Monorail Power Feed	-	2SQ 2" Square Canopy J-Box Included	- 1 1 1" (2.5cm)	- SN SN Satin Nickel PN Polished Nickel BZ Antique Bronze
	MP MP Monorail Power Feed	-	2SQ 2" Square Canopy J-Box Included	- FE FE Feed End Wall	- SN SN Satin Nickel PN Polished Nickel BZ Antique Bronze



Low Voltage Feed Wire Size Chart

To determine the correct THHN wire sizes for a recommended 3% or less drop in voltage for each circuit based on the specified wattage. Lengths are the distance from the remote transformer to the system power feed connector, or power supply.

12 VOLT	5 ft.	6-15 ft.	16-20 ft.	21-40 ft.
300 watt	#10 GA	#6 GA	#4 GA	#1 GA

PROJECT:

FIXTURE
TYPE:

DATE: