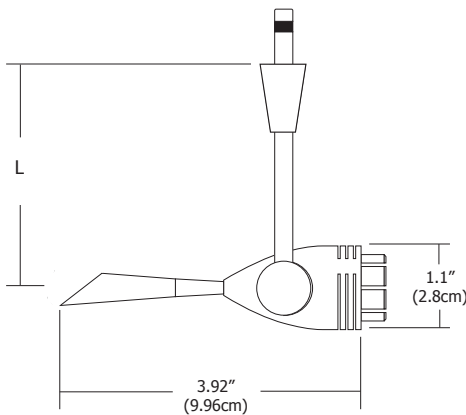




Compatible System Connectors



FJ-SPI-3-SN-S1-SN
Fast Jack Spirit with S1-SN, Little Shady Solid Accessory in Satin Nickel.



FJ-SPI-__
Fast Jack Spirit connects to any Monorail, Monorail 2-Circuit, Monorail Wall or Fast Jack Canopy Connector.

Description:

Spirit Fast Jack fixture head features 3" (7.6cm), 6" (15.2cm) or 12" (30.5cm) length with cool to the touch frosted polycarbonate handle. It is combined with any one of multiple accessories (required, sold separately) to complete the fixture in your preferred style. Rotates 360° and tilts 250°. Holds two lenses.

System:

Mounts to any Fast Jack power canopy, Monorail Fast Jack connector, Monorail 2 Circuit Fast Jack connector or Monorail Wall Fast Jack connector.

Body Finish:

Satin Nickel, Polished Nickel or Antique Bronze

Lamp Specifications:

Up to 50 watt MR16 lamp GU5.3 bi-pin base - 12/24 volt (not included)

LED MR16 Compatible with S2 Shade Only

Shade Accessories (required, also sold separately):

S1 - Little Shady Solid, S2 - Little Shady Mesh, S3 - Glass Shade or S5 - Big Shady Solid

See Accessories Spec Sheet for Complete Details.

Lens and Louver Accessories (sold separately):

Assorted Glass Lenses, **L016-H** Hexcell Louver

Weight:

1 lb (.45 kg)

FIXTURE CODE

SHADE ACCESSORY CODE



- FJ** Fast Jack
- M** Monorail
- M2** Monorail 2 Circuit
- MW** Monorail Wall

SPI Spirit

- 3** 3" (7.6cm)
- 6** 6" (15.2cm)
- 12** 12" (30.5cm)

- SN** Satin Nickel
- PN** Polished Nickel
- BZ** Antique Bronze

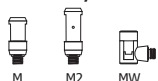
- S1** Little Shady Solid
- S2** Little Shady Mesh
- S3** Glass Shade
- S5** Big Shady

- AM** Amber (S3)
- WH** White (S3)

* Leave blank for S1, S2, S5

- SN** Satin Nickel (S1, S3, S5)
- PN** Polished Nickel (S1, S2, S3)
- BZ** Antique Bronze (S1, S2, S3, S5)
- BK** Black (S1, S2)

Additional System Connectors — Fast Jack Power Canopy Ordered Separately



PROJECT:

FIXTURE TYPE:

DATE: