

Out-Rigger Power Feed

Monorail Out-Rigger Power Feed mounts to a standard 4" electrical box with plaster ring or an octagon box. The field-cuttable Out-Rigger cantilevers the rail up to 36" (91cm) from wall. Use with Out-Rigger standoffs and Remote Transformers Satin nickel, polished nickel or antique bronze finish.

Weight:

.95 lb (.43 kg)

| System | Canopy | Type | Finish |
|-------------------------------|--------------------------------|-----------------------|---|
| MP | 4RD | OUT | SN |
| MP Monorail Power Feed | 4RD 4.3" (10.9cm) Round | OUT Out-Rigger | SN Satin Nickel PN Polished Nickel BZ Antique Bronze |

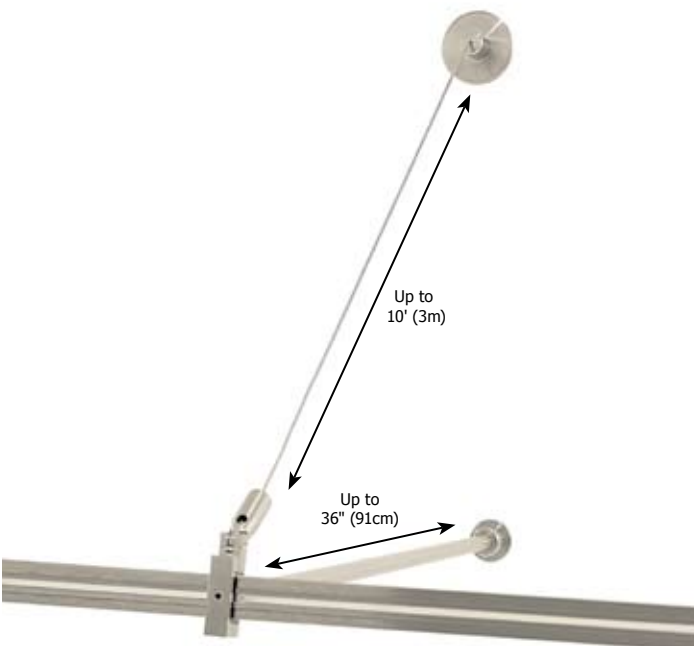
Out-Rigger Standoff

The field-cuttable Out-Rigger standoff supports the Monorail up to 36" (91cm) from wall. Use an Out-Rigger Standoff approximately every 3' and at rail joints. Use with Out-Rigger Power Feed. Satin nickel, polished nickel or antique bronze finish.

Weight:

.95 lb (.43 kg)

| System | Type | Finish |
|-----------------------------|-----------------------|---|
| MS | OUT | SN |
| MS Monorail Standoff | OUT Out-Rigger | SN Satin Nickel PN Polished Nickel BZ Antique Bronze |



PROJECT:

FIXTURE TYPE:

DATE: