

**2 Circuit Out Rigger Power Feed**

2 Circuit Monorail Out Rigger power feed with 4" round canopy cantilevers the Monorail out from the wall where ceiling is too high or not accessible. It comes 36" long and is field cuttable. Each circuit may be dimmed or switch when using a T-2x300-12 remote transformer. Satin nickel, polished nickel or antique bronze finish.

**Dimming:**

With low voltage magnetic dimmer

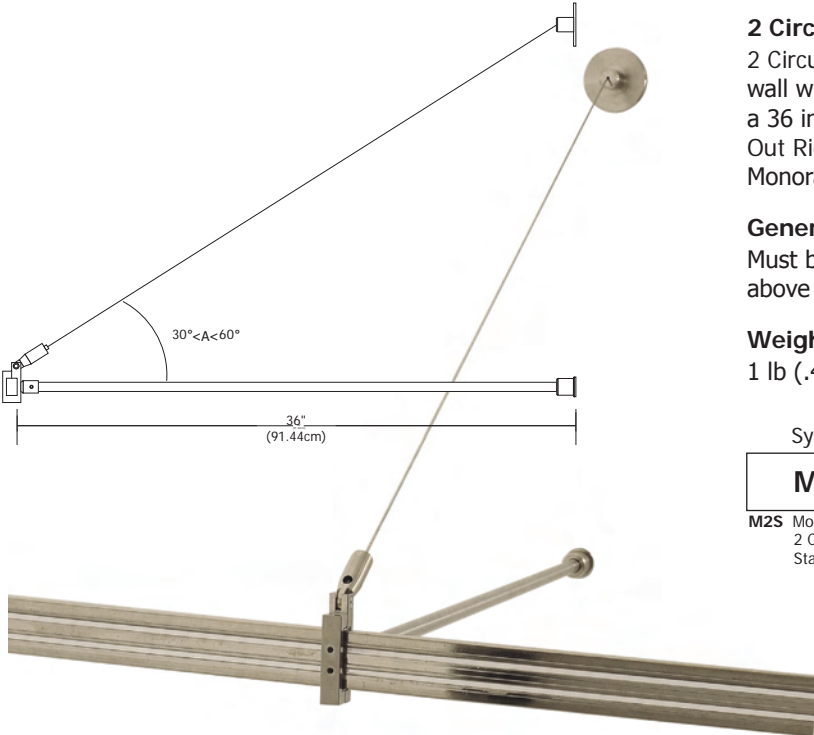
**General Requirements:**

Must be used with Edge Lighting 2 Circuit Out Rigger standoffs and T-2X-300-12 transformer total power 600w, 300 each circuit.

**Weight:**

1 lb (.45 kg)

System	Size	Type	Finish
<b>M2P</b>	<b>4RD</b>	<b>OUT</b>	<b>SN</b>
M2P Monorail 2 Circuit Power Feed	4RD 4.3" (10.9cm) Round	OUT Outrigger	SN Satin Nickel PN Polished Nickel BZ Antique Bronze



**2 Circuit Out Rigger Standoff**

2 Circuit Out Rigger standoff cantilevers the Monorail out from the wall where the ceiling is too high or not accessible. It comes with a 36 inch field cuttable rigid stem. For best appearance, place an Out Rigger standoff at every point where you join two pieces of Monorail. Satin nickel, polished nickel or antique bronze finish.

**General Requirements:**

Must be used with Edge Lighting 2 Circuit Out Rigger Power Feed above or Direct End Female Power Feed Canopy.

**Weight:**

1 lb (.45 kg)

System	Type	Finish
<b>M2S</b>	<b>OUT</b>	<b>SN</b>
M2S Monorail 2 Circuit Standoff	OUT Outrigger	SN Satin Nickel PN Polished Nickel BZ Antique Bronze

PROJECT: \_\_\_\_\_ FIXTURE TYPE: \_\_\_\_\_ DATE: \_\_\_\_\_

