



### Description

Form suspension features interconnected geometric shapes, which tilt the directional light distribution to desired position. The fixture contains a square canopy and 98.4" (250cm) of mounting cable which is field-adjustable up to 6" (15.24cm) minimum required length. One 75 watt 12 volt AR111 (45 degree beam spread) halogen lamp included. An electronic transformer is integrated into the canopy. Directional light distribution.

### Finish

Polished Nickel

### Lamp Specification

#### Halogen (H2)

H2 AR111/M4/75W/45°/12V

### Total Wattage

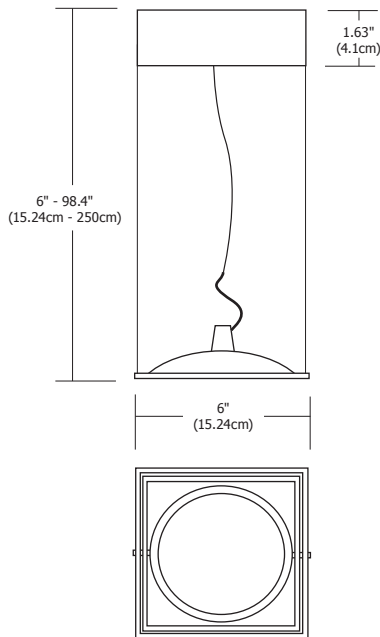
H2 75W

### Dimmer

Low Voltage Electronic

### Weight

3 lbs (1.36kg)



	Type	Description	Lamp	Finish	Voltage
<b>FORM</b>	<b>S</b>	<b>SQ</b>	<b>H2</b>	<b>PN</b>	Standard 120V (leave blank)
	S Suspension	SQ Square	H2 AR111	PN Polished Nickel	2 230V 50Hz 3 277V 60Hz

PROJECT:

FIXTURE  
TYPE:

DATE: