

CUBE CRYSTAL



Description: Cube Crystal wall sconce features a crystal diffuser and is constructed of solid satin aluminum alloy. One 40 watt G9 base halogen lamp included. General light distribution.

Diffuser: Crystal

Body Finish: Satin Aluminum

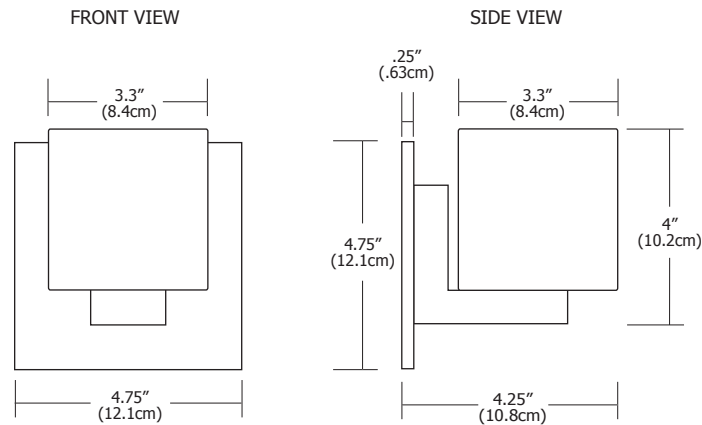
Lamp: **HALOGEN (H)**
H1 - JCD/G9/40W/120V

Total Wattage: H1 - 40W

Dimmer: Incandescent

Dimensions: W 4.75" x H 4.75" x D 4.25"
W 12.1cm x H 12.1cm x D 10.8cm

Weight: 4 lbs (1.80 kg)



Ordering Code	Type	Lamp	Finish	Voltage
CUBECRY	W	H1	SA	Standard 120V (leave blank)
	-W - Wall	-H1 - Halogen	-SA - Satin Aluminum	-2 - 230V 50Hz

COMPANY:	FIXTURE TYPE:	DATE:
PROJECT:	CONSULTANT:	APPROVED BY: