

Description:

CDP is a stand alone DMX lighting controller for Edge Lighting RGB fixtures. Easy to install, the wall-mountable assembly is ideal for applications that desire a variety of effects with an easy to use interface. Multiple lighting effects can be accessed and modified with the simple-to-use rotary/push dial (no programming required). Push the dial to select Fixed Color, Color Wash, Random Color, Random Fade, White Light, or off. Rotate the dial to adjust the color or speed, depending on the chosen effect. CDP comes ready to mount into a standard U.S. multi gang wall box. A 24VDC power supply (included) fits discreetly inside the junction box behind the controller. It is designed for power and data connections to be hardwired to the internal five-position terminal block. Switches are provided to disable/enable effects prior to installation. One-quarter inch D-shaft fits most standard dimmer knobs for knob customizing.

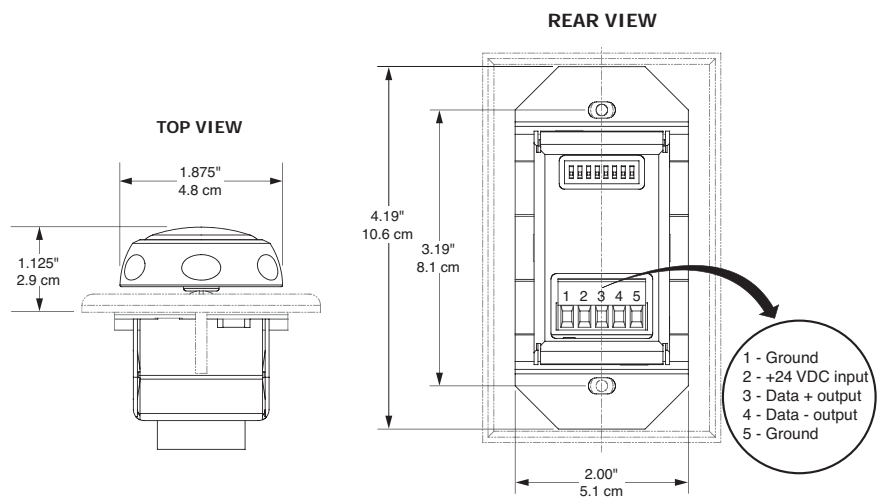


CDP

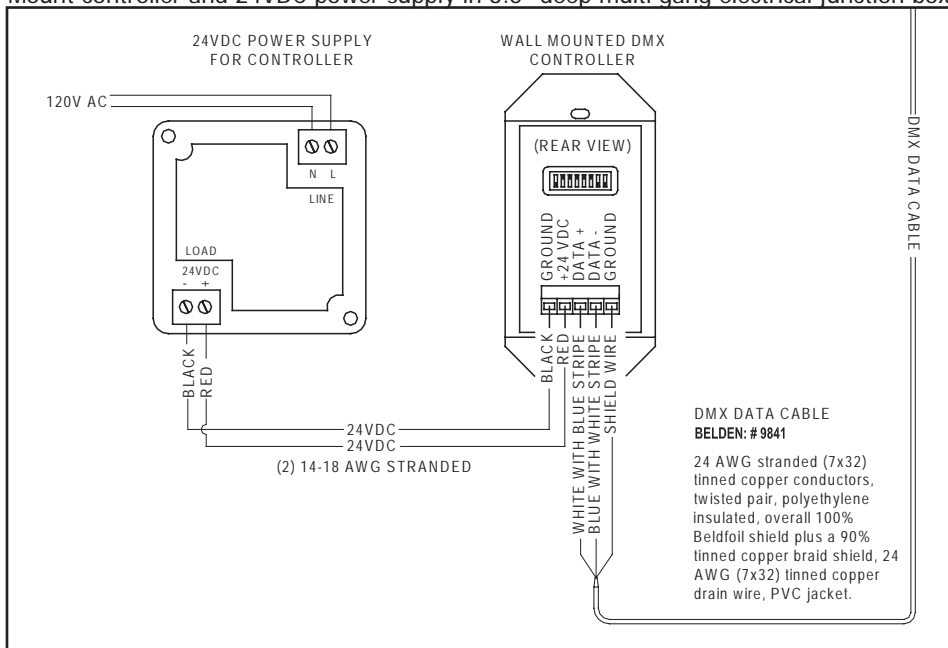
Applications: Indoor

Power Supply: 24VDC @100mA (included)

Output Signal: DMX512



Mount controller and 24VDC power supply in 3.5" deep multi gang electrical junction box



Ordering Code

CDP

CDP Color Dial controller with power supply

COMPANY:	FIXTURE TYPE:	DATE:
PROJECT:	CONSULTANT:	APPROVED BY: