

BEAM



Description: Beam wall sconce features a satin aluminum finish and can accommodate up to a 50 watt 12 volt MR16 halogen lamp (not included). 60 watt electronic transformer included. General downward light distribution.

Body Finish: Satin Aluminum

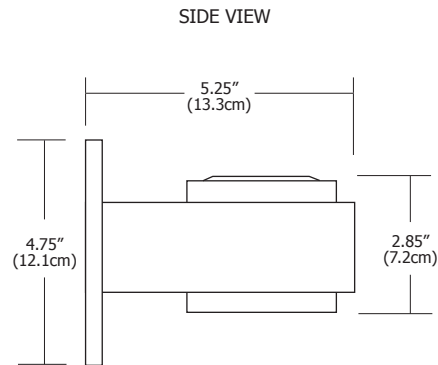
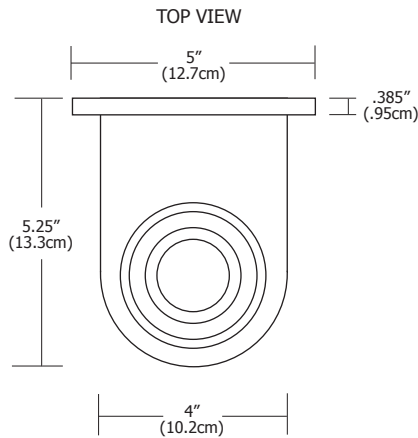
Lamp: **HALOGEN (H)**
H1 - MR16/GU5.3/50W/12V

Total Wattage: H1 - 50W

Dimmer: Low voltage electronic

Dimensions: W 5" x H 4.75" x D 5.25"
W 12.7cm x H 12.1cm x D 13.3cm

Weight: 3.25 lbs (1.47 kg)



Ordering Code	Type	Lamp	Finish	Voltage
BEAM	W	H1	SA	Standard 120V (leave blank)
	-W - Wall	-H1 - Halogen	-SA - Satin Aluminum	-2 - 230V 50Hz -3 - 277V 60Hz

COMPANY:	FIXTURE TYPE:	DATE:
PROJECT:	CONSULTANT:	APPROVED BY: