



itl boulder

THE LIGHT CENTER OF THE INDUSTRY SINCE 1955

INDEPENDENT TESTING LABORATORIES, INC.
3386 LONGHORN ROAD, BOULDER, CO 80302 USA

PHONE: (303)442-1255 • FAX: (303)449-5274 • E-MAIL: itl@itlboulder.com • WEBSITE: www.itlboulder.com

REPORT NUMBER: ITL62595

DATE: 07/17/09

PREPARED FOR: EDGE LIGHTING LLC

CATALOG NUMBER: FJ-ATL-**-**

LUMINAIRE: MACHINED METAL HOUSING WITH FINNED UPPER BODY, ONE WHITE CIRCUIT BOARD WITH NINE LEDS. CLEAR CONICAL PLASTIC NON-INTEGRAL LENS BELOW EACH LED, EACH LED/LENS ASSEMBLY ENCOMPASSED BY BLACK PLASTIC SURROUND. MOLDED BLACK PLASTIC LOWER SPACING PLATE, SEMI-SPECULAR METAL TRIM RING, OPEN BOTTOM.

LAMP: NINE 1.85-WATT WHITE LIGHT EMITTING DIODES (LEDS) EACH WITH CLEAR HEMISPHERICAL INTEGRAL LENS, VERTICAL BASE-UP POSITION.

TOTAL INPUT WATTS = 19.2 AT 12.0 VOLTS

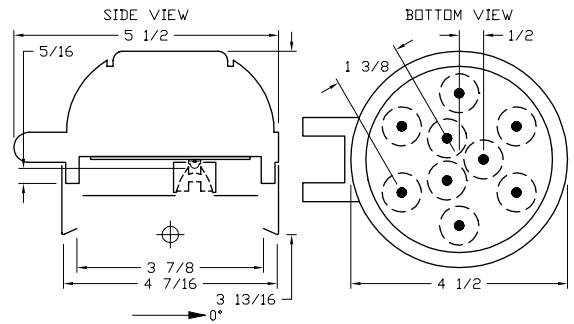
MOUNTING: SURFACE

LED DRIVER: NUVENTIX SP30S-CM005-004

NOTE: DATA SHOWN IS ABSOLUTE FOR THE SAMPLE PROVIDED AT RATED INPUT VOLTAGE (12VAC, 60Hz) TO THE LED DRIVER. LAMP INFORMATION PROVIDED BY CLIENT.

TEST PROCEDURE: IESNA LM-79-08

TEST DISTANCE = 25.25 FEET



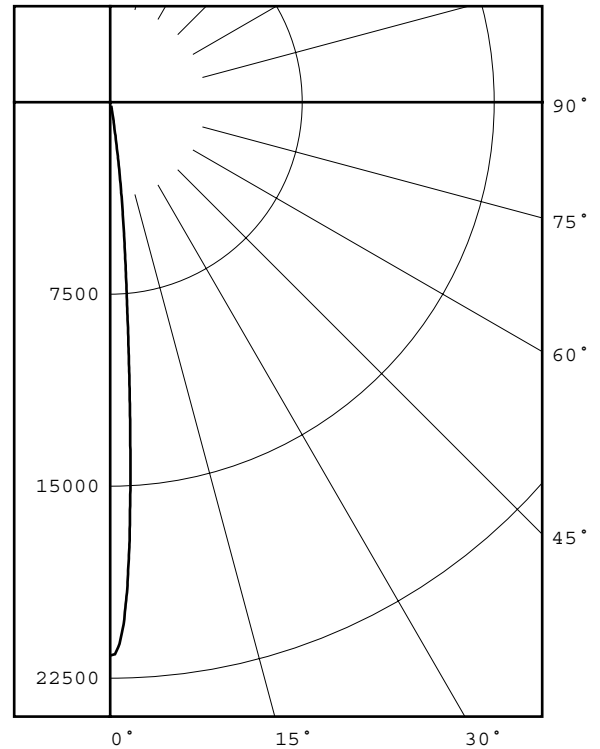
DEG	CANDELA	LUMENS
0	21617	
5	7305	523
15	170	61
25	75	35
35	41	24
45	15	11
55	8	6
65	0	0
75	0	0
85	0	0
90	0	0

ZONAL LUMEN SUMMARY		
ZONE	LUMENS	%FIXT
0- 30	620	93.4
0- 40	645	97.1
0- 60	663	99.9
0- 90	664	100.0
90-180	0	0.0
0-180	664	100.0

EFFICACY = 34.6 Lm/W
CIE TYPE - DIRECT
LUMINAIRE SPACING CRITERION = 0.1
BEAM ANGLE (50%) : 7.9 DEGREES
FIELD ANGLE (10%) : 16.0 DEGREES
LUMINOUS DIAMETER: 3.875

LUMINANCE DATA IN CANDELA/SQ M
ANGLE AVERAGE
IN DEG

45	2788.
55	1833.
65	0.
75	0.
85	0.



Checked *B.HYRE*

Approved *R.BERGIN*



INDEPENDENT TESTING LABORATORIES, INC.
 3386 LONGHORN ROAD, BOULDER, CO 80302 USA

PHONE: (303)442-1255 • FAX: (303)449-5274 • E-MAIL: itl@itlboulder.com • WEBSITE: www.itlboulder.com

REPORT NUMBER: ITL62595
 PREPARED FOR: EDGE LIGHTING LLC

DATE: 07/17/09

CANDELA DISTRIBUTION

ZONAL LUMEN SUMMARY

0.0	21617	82.5	0	0- 5	322.
0.5	21562	85.0	0	5- 10	202.
1.0	21158	87.5	0	10- 15	40.
1.5	20359	90.0	0	15- 20	22.
2.0	19046			20- 25	20.
2.5	17288			25- 30	16.
3.0	15091			30- 35	15.
3.5	12859			35- 40	9.
4.0	10694			40- 45	7.
4.5	8830			45- 50	5.
5.0	7305			50- 55	4.
5.5	6139			55- 60	3.
6.0	5159			60- 65	1.
6.5	4318			65- 70	0.
7.0	3510			70- 75	0.
7.5	2793			75- 80	0.
8.0	2140			80- 85	0.
8.5	1621			85- 90	0.
9.0	1220			90- 95	0.
9.5	944			95-100	0.
10.0	751			100-105	0.
10.5	611			105-110	0.
11.0	504			110-115	0.
11.5	424			115-120	0.
12.0	352			120-125	0.
12.5	305			125-130	0.
13.0	263			130-135	0.
13.5	231			135-140	0.
14.0	204			140-145	0.
14.5	185			145-150	0.
15.0	170			150-155	0.
15.5	157			155-160	0.
16.0	147			160-165	0.
16.5	138			165-170	0.
17.0	132			170-175	0.
17.5	128			175-180	0.
18.0	123				
18.5	119				
19.0	117				
19.5	115				
20.0	113				
22.5	94				
25.0	75				
27.5	58				
30.0	67				
32.5	51				
35.0	41				
37.5	24				
40.0	21				
42.5	21				
45.0	15				
47.5	10				
50.0	10				
52.5	8				
55.0	8				
57.5	7				
60.0	5				
62.5	0				
65.0	0				
67.5	0				
70.0	0				
72.5	0				
75.0	0				
77.5	0				
80.0	0				



INDEPENDENT TESTING LABORATORIES, INC.
 3386 LONGHORN ROAD, BOULDER, CO 80302 USA

PHONE: (303)442-1255 • FAX: (303)449-5274 • E-MAIL: itl@itlboulder.com • WEBSITE: www.itlboulder.com

REPORT NUMBER: ITL62595

DATE: 07/17/09

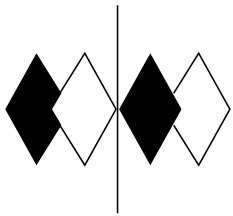
PREPARED FOR: EDGE LIGHTING LLC

COEFFICIENTS OF UTILIZATION - ZONAL CAVITY METHOD

EFFECTIVE FLOOR CAVITY REFLECTANCE 0.20

RC	80				70				50			30			10			0	
	RW	70	50	30	10	70	50	30	10	50	30	10	50	30	10	50	30	10	0
0	119	119	119	119	116	116	116	116	111	111	111	111	106	106	106	102	102	102	100
1	116	114	113	111	114	112	111	110	108	107	106	105	105	104	103	101	101	100	98
2	113	110	108	106	111	109	106	105	106	104	102	103	103	101	100	100	99	98	97
3	111	107	104	102	109	106	103	101	103	101	100	101	101	99	98	99	98	97	95
4	108	104	101	99	107	103	100	98	101	99	97	100	98	96	98	96	95	94	94
5	106	102	99	97	105	101	98	96	100	97	95	98	96	95	97	95	94	93	93
6	105	100	97	95	104	99	97	94	98	96	94	97	95	93	96	94	93	92	92
7	103	98	95	93	102	98	95	93	97	94	93	96	94	92	95	93	92	91	91
8	102	97	94	92	101	97	94	92	96	93	91	95	93	91	94	92	91	90	90
9	100	96	93	91	100	95	93	91	95	92	91	94	92	90	93	91	90	89	89
10	99	95	92	90	99	94	92	90	94	91	90	93	91	90	93	91	89	89	89

ALL CANDELA, LUMENS, LUMINANCE, AND VCP VALUES IN THIS REPORT ARE BASED ON ABSOLUTE PHOTOMETRY. THE COEFFICIENT OF UTILIZATION VALUES ARE BASED ON THE TOTAL ABSOLUTE LUMEN OUTPUT OF THIS LUMINAIRE SAMPLE.



REPORT NUMBER: ITL62595

DATE: 07/17/09

PREPARED FOR: EDGE LIGHTING LLC

CONE OF LIGHT DIAGRAM

(diameter shown is where fc value is half the fc at nadir)

