

NEO Pro Aim



Patent Pending

Compatible System Connectors



FJ-NEO-3-SN
Satin Nickel



Hot aiming with self locking tilt mechanism



Shown with Snoot accessory (sold separately)



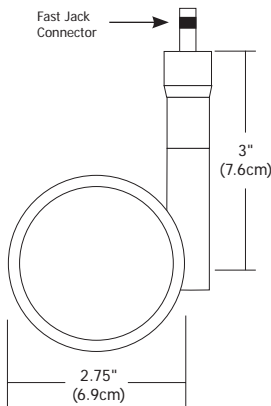
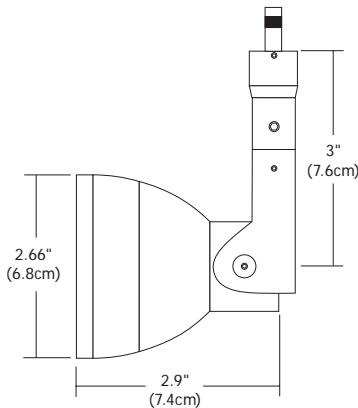
FJ-NEO-3-PN
Polished Nickel



FJ-NEO-3-BZ
Antique Bronze



FJ-NEO-3-WH
White



Description:

Neo, Pro Aim MR16 fixture features a hidden precision machined gear adjustment for hot aiming with an Allen screwdriver (included). Self locking tilt, manual locking horizontal rotation. Tilts 180° and rotates 360°. Accepts up to three accessory lenses.

System Compatibility:

Monorail (M) or Monorail 2 Circuit (M2) Use Fast Jack connector (FJ) when ordering canopy mount or track transformer

Finish:

Satin Nickel, Polished Nickel, Antique Bronze or White (only for Fast Jack Canopies)

Lamp Specification:

Maximum 50 watt IR MR16 lamp GU5.3 base -12 or 24 volt (sold separately)
Maximum 37 watt IR MR16 with white version

Optical Accessories (sold separately):

Hexcell Louver, Snoot and Glass Lenses

Weight:

.84 lb (.38 kg)

System	Fixture	Height	Finish
FJ	NEO	3	SN
FJ Fast Jack M Monorail M2 Monorail 2 Circuit	NEO Neo	3 3" (7.6cm)	SN Satin Nickel PN Polished Nickel BZ Antique Bronze WH White (37W IR lamp max)

PROJECT:

FIXTURE
TYPE:

DATE: