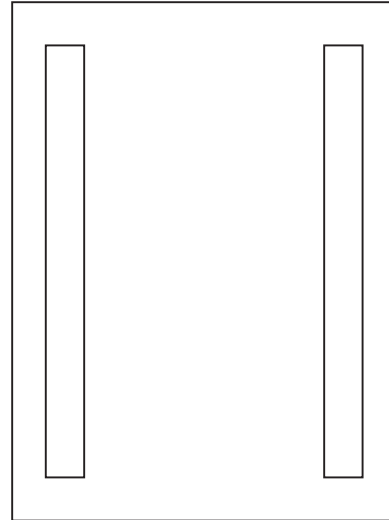


Installation Instructions for **Twin Slim**

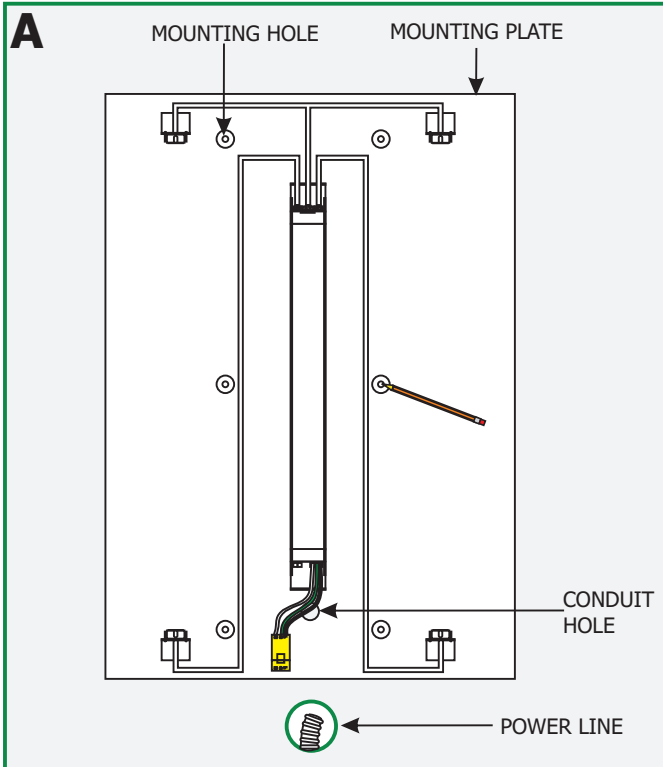
IMPORTANT INFORMATION

- This product is ETL listed for indoor dry locations.
- Must be installed by a qualified electrician.
- This product is wall mounted only.
- Supply power to mirror in accordance with local electrical codes.
- This instruction shows a typical installation
- This product is dimmable with a 0-10V dimmer.

SAVE THESE INSTRUCTIONS!



Install the Mounting Plate



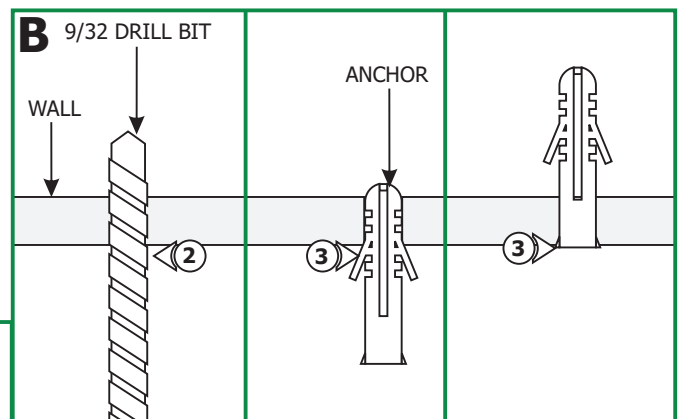
NOTE: The Twin Slim mirror mounts independently directly to the wall without being supported by the electrical box, thus it is recommended that one person holds the mounting plate while the electrician installs it.

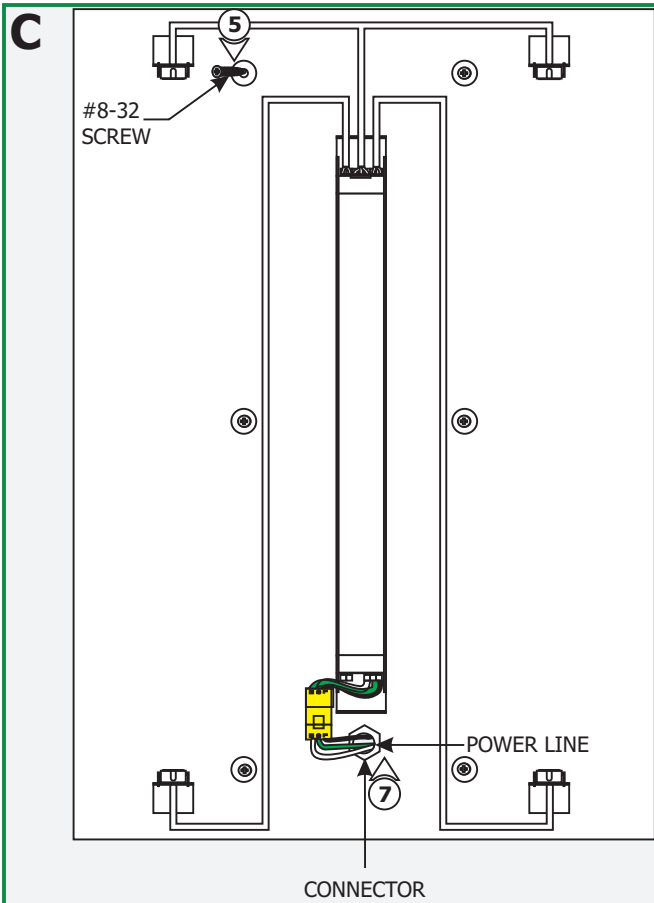
- 1:** Align the mounting plate conduit hole with the power line and use the mounting plate as a template to mark six mounting holes onto the wall.

NOTE: Make sure that the mounting plate is leveled horizontally.

- 2:** Use a 9/32 drill bit to make holes on all six marked points.

- 3:** Tap the anchors into the drilled holes with a hammer.



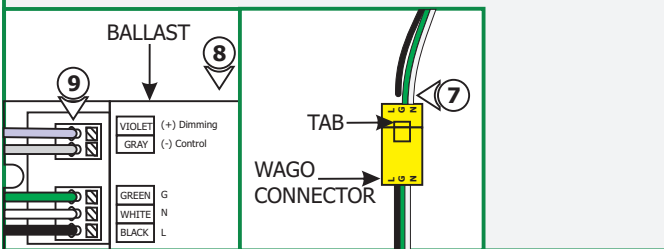


- 4:** Install the conduit connector (not provided) to mounting plate hole. Feed the power line through the conduit connector into the mounting plate.
- 5:** Line up the mounting plate holes with the anchors and secure it to the anchors with the six #8-32 screws provided.
- 6:** Make sure that the mounting plate is grounded in accordance with local electrical codes.
- 7:** Connect the hot, neutral & ground power wires into the wago connector.

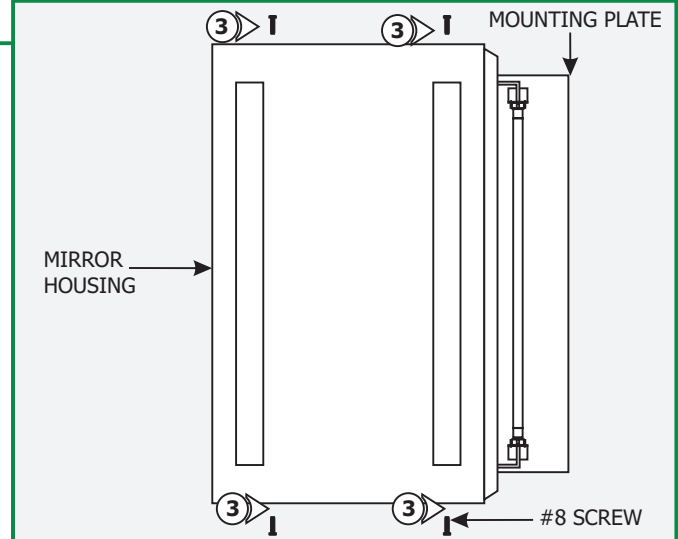
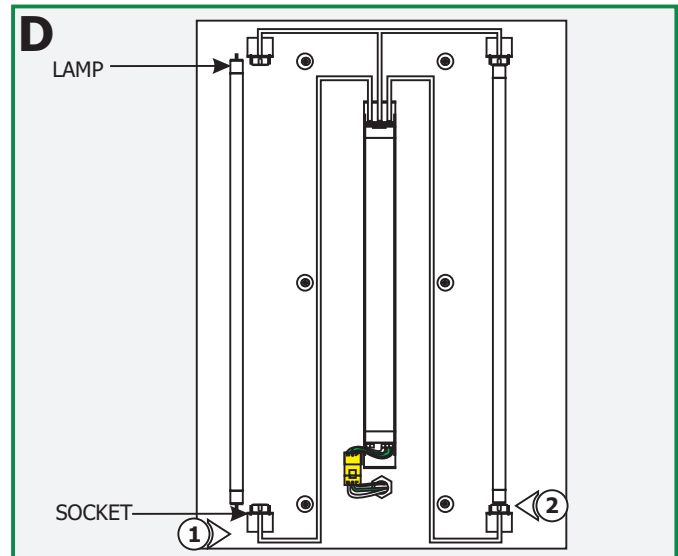
NOTE: If necessary, push the tab down and then pull the Wago connector for a quick disconnect.

NOTE: Omit steps 8 & 9 for non-dimming wiring.

- 8:** For dimming, run the violet and gray wires from the dimmer to the ballast. The wires must be solid copper (refer to the dimmer instruction for more details).
- 9:** Insert the violet wire to the (+) & the gray wire (-) ballast terminal respectively.



Install the Lamp & Mirror



CAUTION: To reduce risk of a burn or electrical shock during lamping, disconnect the power to the fixture.

Use **MAX 24** Watt Type T5 HO, Linear Fluorescent Lamp For Each Socket.

- 1:** Line up the lamp pins on both sides with the opening on the socket.
- 2:** Insert the lamp pins all the way into the sockets and turn the lamp to lock it in place. Repeat this step for the other lamp.
- 3:** Place the mirror housing onto the mounting plate and secure it in place by tightening the four #8 screw on the top and bottom of the mirror housing into the mounting plate.