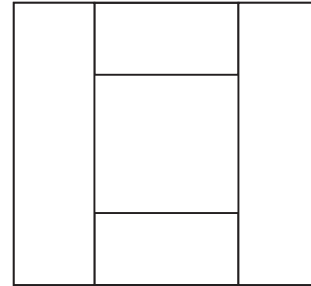


Installation Instructions for Stream

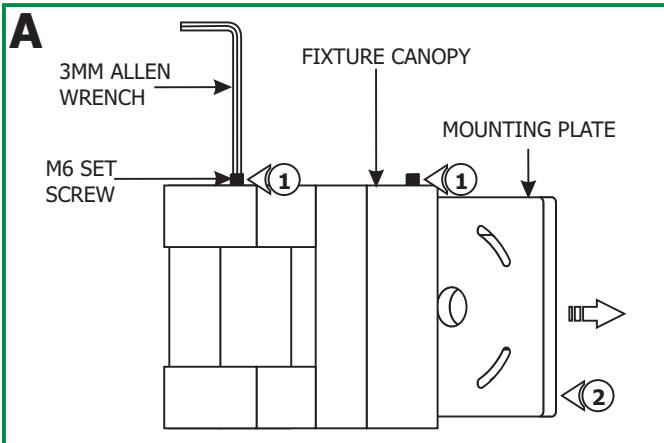
IMPORTANT INFORMATION

- This product is ETL listed for indoor dry locations.
- This product is wall mounted only and it should be installed as an up light (lamp facing up).
- This product can mount to either a 4" square electrical box with round plaster ring or an octagon electrical box.
- This product can be dimmed with a low voltage electronic dimmer.

SAVE THESE INSTRUCTIONS!



Install the Fixture



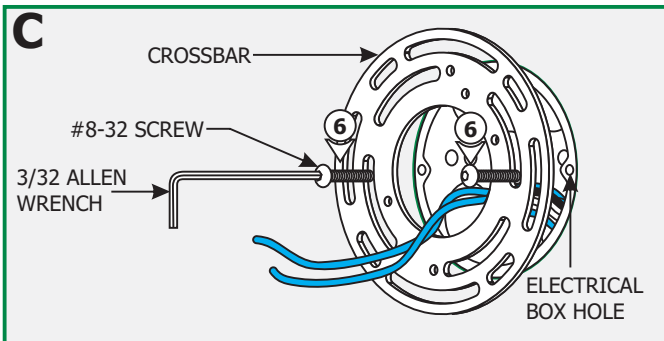
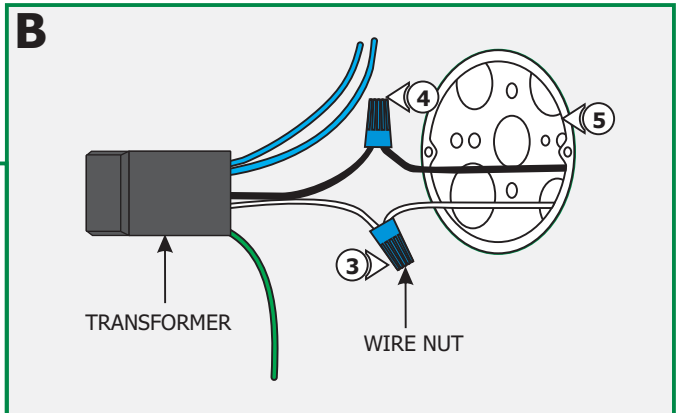
1: Loosen the two M6 set screws on the top of the fixture canopy (**Do Not Remove**) with the provided 3mm Allen wrench.

2: Pull the mounting plate out of the fixture canopy.

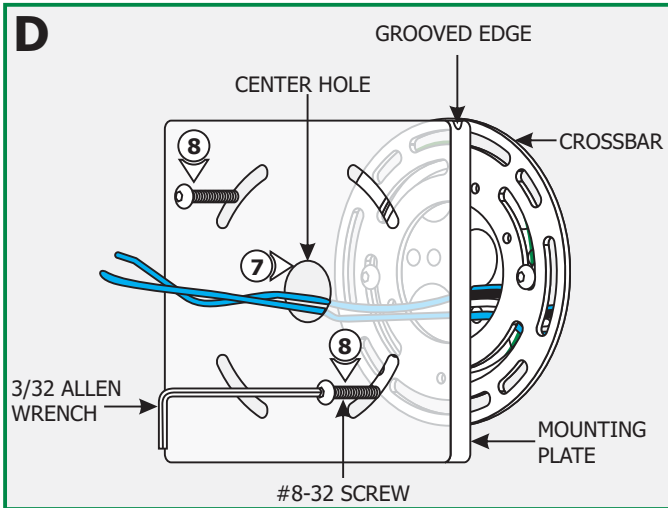
3: Connect the white transformer wire to the neutral power wire with a wire nut.

4: Connect the black transformer wire to the hot power wire with a wire nut.

5: Place the transformer and wire nut connections inside the electrical box.

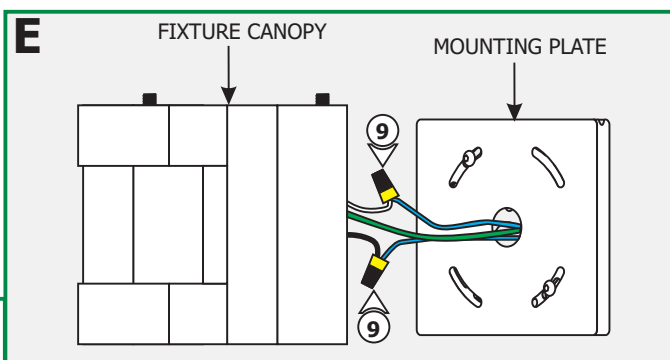


6: Mount the crossbar to the electrical box holes with the provided #8-32 screws using the 3/32 Allen wrench. Make sure that the crossbar is grounded in accordance with local electrical codes.

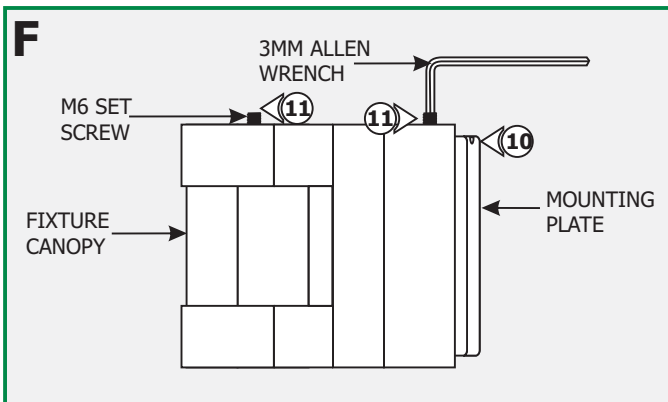


7: Feed the transformer wires through the mounting plate center hole.

8: Align the mounting plate so that the grooved edge faces upward. Secure the mounting plate to the crossbar with the provided #8-32 screws and tighten using the 3/32 Allen wrench.



9: Connect each transformer low voltage wire (blue wire) to one fixture wire with a wire nut.



10: Place all wires and wire nut connections inside the backplate.

11: Replace the fixture canopy onto the mounting plate and secure it by tightening the two M6 set screws with the 3mm Allen wrench.

Install the Lamp

WARNING: RISK OF FIRE
Never replace a Xenon (Xelogen) lamp with a regular Halogen lamp. A regular Halogen lamp requires a protective glass shield.

CAUTION: To reduce risk of a burn or electrical shock during lamping, disconnect the power to the fixture.

NOTE: Use only fingers and a soft cloth to install the lamps.

Use **MAX 20** Watt Bi-Pin Xenon (Xelogen) Lamp.

1: Push the lamp pins completely into the socket holes.

