

## Installation Instructions for **Soft Strip LED 3 Watt 12 RGB**

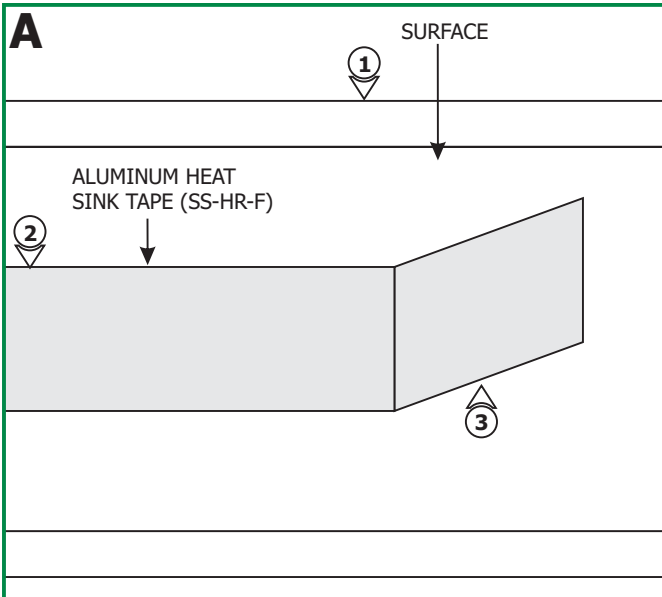
### IMPORTANT INFORMATION

- This product is ETL listed for indoor and outdoor locations.

**SAVE THESE INSTRUCTIONS!**



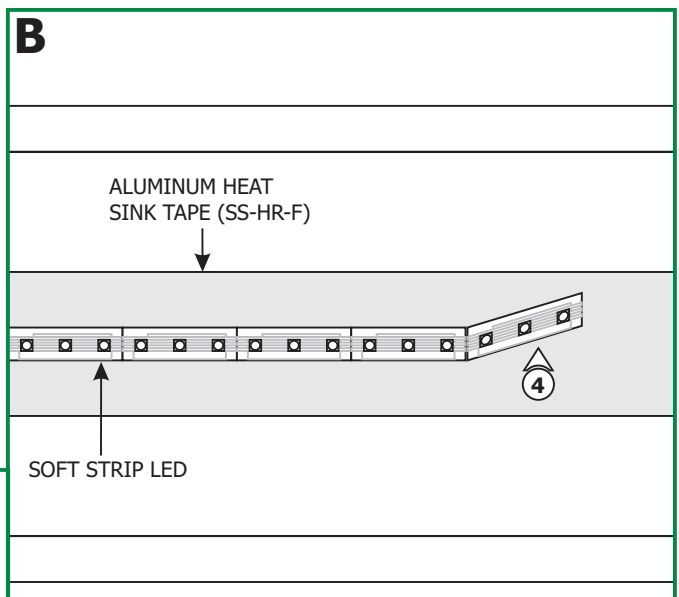
## Install the Soft Strip

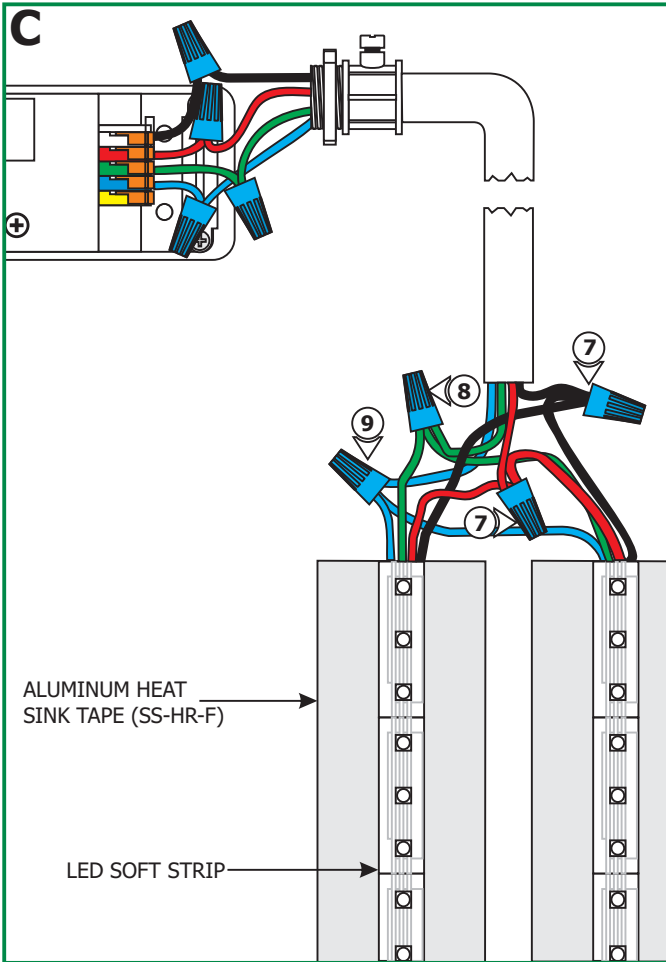


**NOTE:** Avoid bending the soft strip in sharp horizontal angles which may damage the LEDs. Use the proper power connectors.

- 1:** Clean the area thoroughly where soft strip LED will be installed.
- 2:** For all surfaces other than aluminum, use the provided aluminum heat sink tape (SS-HR-F) to avoid overheating which may cause LEDs to fail.
- 3:** Remove the backing from the aluminum heat sink tape (SS-HR-F) and firmly press it down where the LED soft strip is going to be mounted.

- 4:** Center the soft strip LED on the aluminum heat sink tape (SS-HR-F). Remove the backing from the soft strip LED and firmly press down making sure there are no air bubbles that can cause surface irregularities.





**5:** Install the power supply by referring to the instructions provided with the power supply.

**6:** Refer to the "Low Voltage Wire Size Chart" provided with power supply instruction to determine the wire size from the DVR-RGB to LED soft strip.

**7:** Connect the red wire coming from the DVR-RGB to the red wire of each LED soft strip with a wire nut.

**8:** Connect the green wire coming from the DVR-RGB to the green wire of each LED soft strip with a wire nut.

**9:** Connect the blue wire coming from the DVR-RGB to the blue wire of each LED soft strip with a wire nut.

**10:** Connect the black or brown wire coming from the DVR-RGB to the black wire of each LED soft strip with a wire nut.

**NOTE:** SS3 soft strip consumes on average 2.6 Watt per foot.

**NOTE:** The soft strip LED lamps are rated for 50,000 hours when using the aluminum heat sink tape (SS-HR-F).