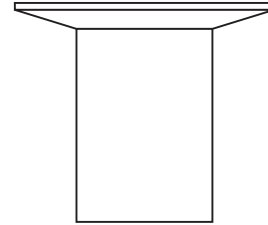


Installation Instructions for Rocky Ceiling MR16 Version

IMPORTANT SAFETY INSTRUCTIONS

To reduce the risk of fire, electrical shock, exposure to excessive UV radiation, or injury to persons:

- Do not look directly at the lamp while the fixture is on.
- **RISK OF FIRE:** Use only the type of lamp and maximum wattage indicated in this instruction manual.
- Never cover the halogen lamp with anything other than a lamp shield provided by Edge Lighting and never place flammable material close to the fixture.
- Never turn the fixture on and off by connecting and disconnecting the halogen lamp.
- Do not touch the fixture head, shade or lamp shield while the fixture is on. These surfaces may be **VERY HOT**.
- Do not touch lamp at anytime. Use a soft cloth instead as oil from skin may damage lamp.
- It is normal for a new halogen lamp to produce minor smoke when first turned on.
- Turn power off and allow to cool before replacing lamp.

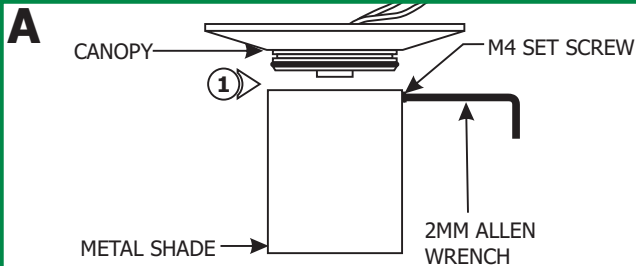


IMPORTANT INFORMATION

- This product is ETL listed for indoor and outdoor locations.
- This product is for ceiling mount applications only.
- This product can mount to either a 4" square electrical box with round plaster ring or an octagon electrical box.
- This product can be dimmed with a standard electronic low voltage dimmer.
- This instruction shows a typical installation for indoor or outdoor applications.

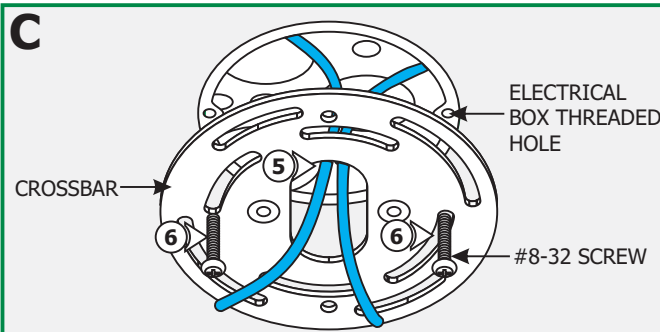
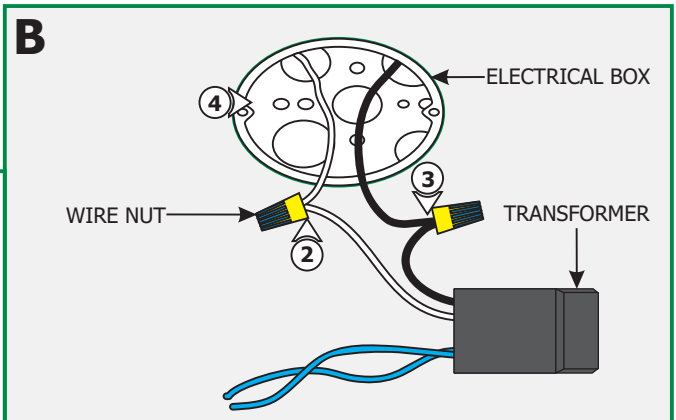
SAVE THESE INSTRUCTIONS!

Install the Fixture

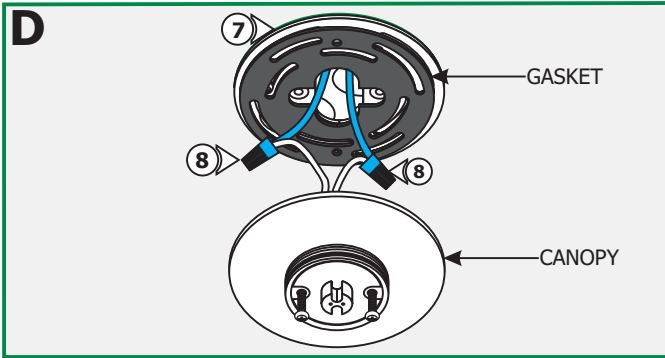


- 1:** Loosen the M4 set screw (**DO NOT REMOVE**) on the metal shade with the 2MM Allen wrench provided, and pull the metal shade completely off of the canopy.

- 2:** Connect the white transformer wire to the neutral power wire with a wire nut.
- 3:** Connect the black transformer wire to the hot power wire with a wire nut.
- 4:** Place the transformer and wire nut connections inside the electrical box.



- 5:** Feed the transformer wires through the crossbar center hole.
- 6:** Mount the crossbar to the electrical box threaded holes with the provided #8-32 screws.



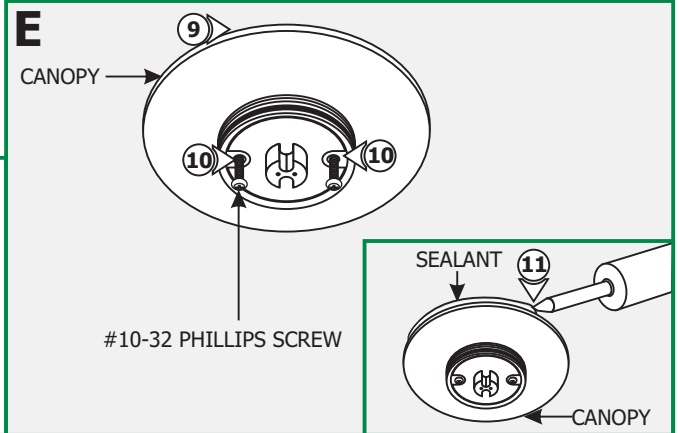
7: Slide the gasket against the crossbar.

8: Connect each transformer low voltage wire (blue wire) to one fixture wire with a wire nut.

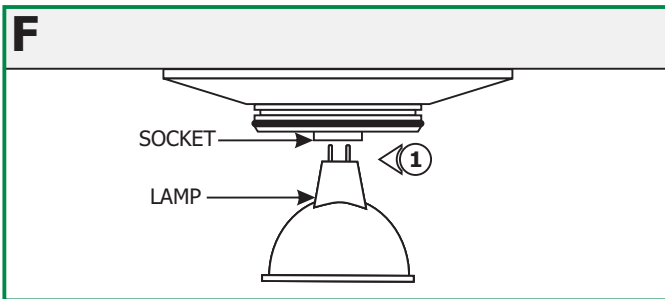
9: Place all wires and wire connections inside the electrical box.

10: Align the fixture canopy holes with the gasket and crossbar holes, and secure the canopy to the electrical box by tightening the two #10-32 Phillips screws.

11: For installation in **wet location**, caulk around the fixture canopy with waterproof construction sealant.



Install the Lamp



CAUTION: To reduce risk of a burn or electrical shock during lamping, disconnect the power to the fixture.

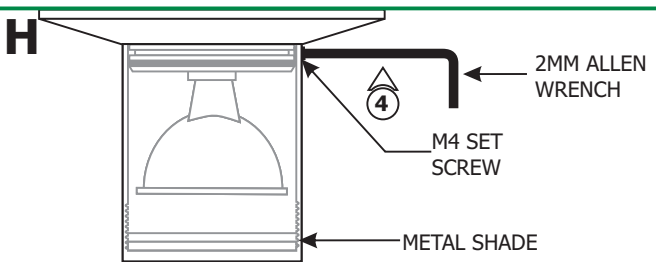
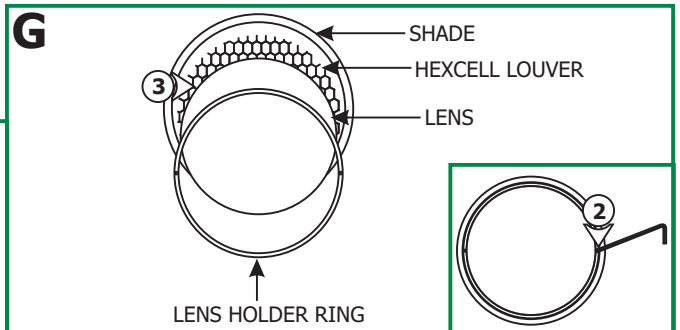
Use **MAX 20** Watt, Type MR16 Front Glass Cover Halogen Lamp.



1: Push the lamp pins completely into the socket holes.

2: Optional: To add a additional lens(es) (sold separately), use a small Allen wrench to loosen and remove the lens holder ring from inside the metal shade.

3: Place the lens(es), or a combination of lens(es) and a hexcell louver into the shade (maximum 3). Replace and tighten the lens holder ring to secure the lenses in place.



4: Push the metal shade completely onto the canopy and secure it in place by tightening the M4 set screw with the 2mm Allen wrench.

Note: To preserve the original factory performance and stainless steel finish, we recommend to lubricate and clean with a stainless steel polish (MAAS Products) as needed.