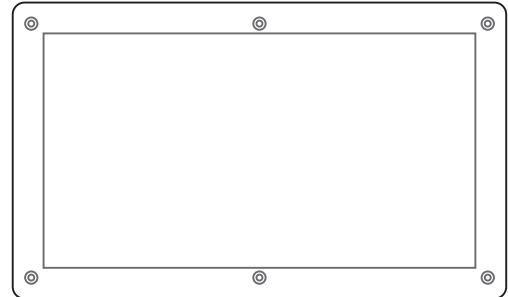


Installation Instructions for **100 Watt 24 Volt DC Power Supply with 0-10 Volt Dimming Module**

SAVE THESE INSTRUCTIONS!



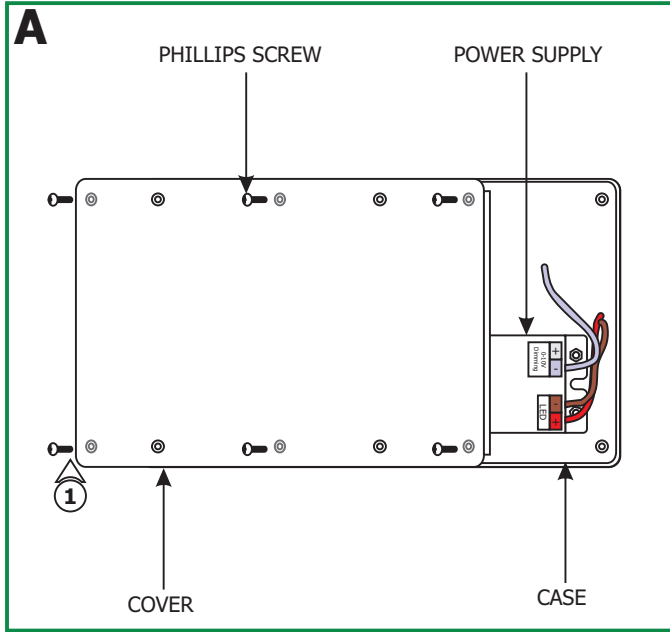
GENERAL INFORMATION

- **RISK OF FIRE:** This product must be installed by a qualified electrician. Turn the power to the electrical box off during installation. Read the "Important Safety Instructions" before installation.
- This product is not suitable for wet locations. It is approved for the use at any height above the finished floor.
- A typical installation is shown. Specific installation must be in accordance with the local electrical codes.
- **TO REDUCE RISK OF FIRE,** it is important to wire the power supply for the system as described in this installation instruction.
- Load the power supply to **MAXIMUM 100** Watts.
- Use Lightolier "ZP600FAM120" 0-10 volt controller to dim the LED soft strip (fixture).

IMPORTANT SAFETY INSTRUCTIONS

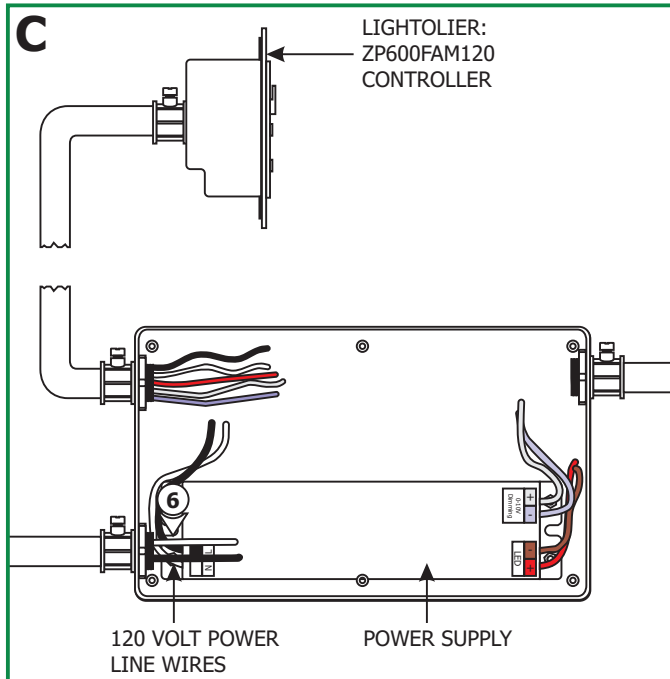
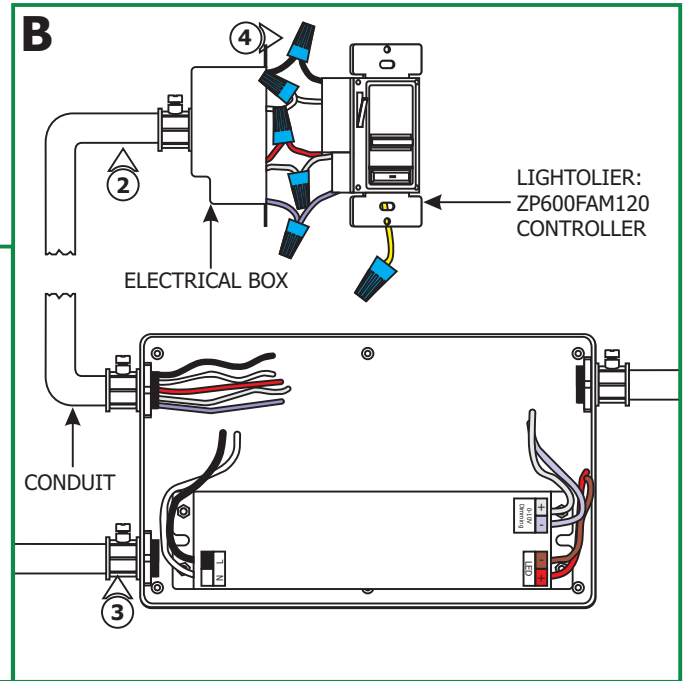
- Do not install this power supply in a wet location.
- To reduce the risk of the system overheating and possibly causing a fire, make sure all the connections are tight.
- Do not install *LED fixture closer than three inches or as specified in the *LED fixture installation instructions to curtains or similarly combustible materials. Keep insulation at least 3" away from the enclosure.
- Turn the electrical power off before modifying the lighting system in any way.
- The system is "ETL" listed for USA and Canada only when all the products used are supplied by Edge Lighting.
- * See LED fixture installation instructions for proper placement.

Install the Power Supply

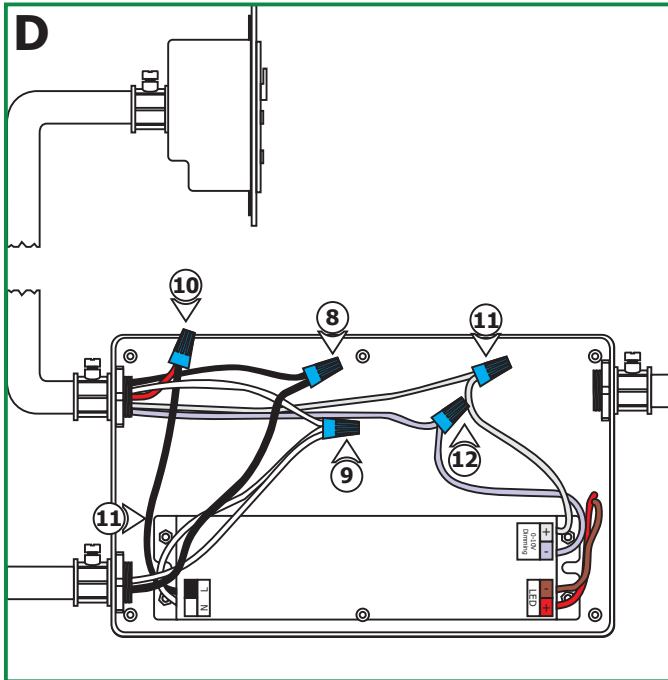


1: Loosen and remove the six Phillips screws on the front of the power supply cover to remove the cover from the case.

- 2:** Install conduits from the controller electrical box to main panel and soft strip to the power supply case.
- 3:** Run proper wire size and color from the controller (switch) electrical box to the power supply case.
- 4:** Connect the black, white, red, purple, and gray controller wires respectively to black, white, red, purple, and gray wires with a wire nut. The yellow controller wire is not used in this procedure. Cap the yellow controller wire with a wire nut. For three way switching, refer to the instructions provided with the controller.
- 5:** Secure controller to the electrical box.

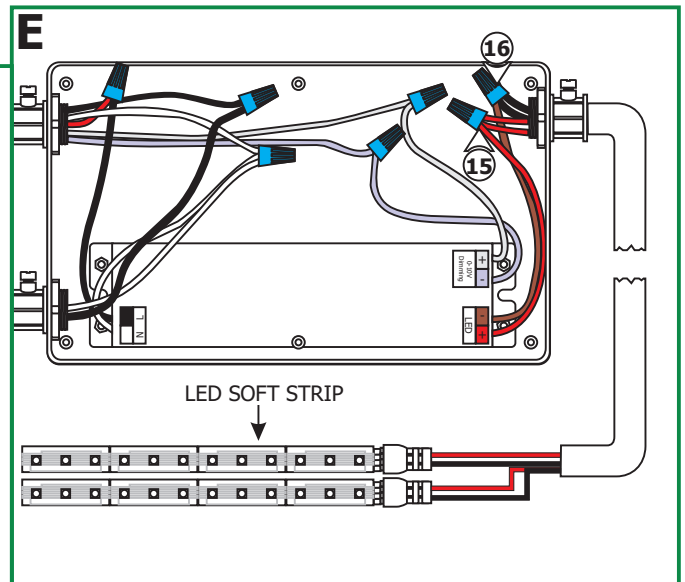


6: Run the 120 volt power line wires from the panel to the power supply case.
7: DO NOT connect the power wires to the panel at this time.



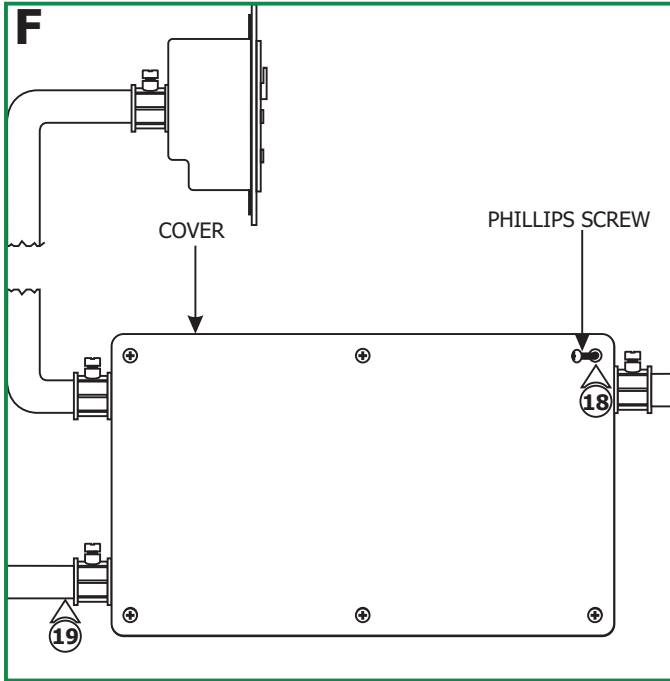
- 8:** Connect the black controller wire to the 120 volt hot power line wire with a wire nut.
- 9:** Connect the white controller wire to the 120 volt neutral power line wire and the white power supply wire with a wire nut.
- 10:** Connect the red controller wire to the black power supply wire with a wire nut.
- 11:** Connect the gray controller wire to the gray power supply wire with a wire nut.
- 12:** Connect the purple controller wire to the purple power supply wire with a wire nut.

- 13:** Use the "Low Voltage Wire Size Chart" below to determine the proper wire size connecting the power supply to the LED soft strip.
 - 14:** Run the proper size, red and brown wires from the LED soft strip to the power supply case.
- NOTE:** This power supply is for multiple runs. Do not exceed the maximum wattage of the power supply.
- NOTE:** Use only 24 volt RGB LED soft strip with this power supply.
- 15:** Connect the red wire coming from the power supply to the red wire of each LED soft strip.
 - 16:** Connect the brown wire coming from the power supply to the black wire of each LED soft strip.



100W, 24VAC LOW VOLTAGE WIRE SIZE CHART

3% VOLTAGE DROP	WIRE LENGTH IN FT	UP TO 31FT	32FT-49FT	50FT-81FT	82FT-124FT
	WIRE SIZE	14 AWG	12 AWG	10 AWG	8 AWG
	VOLTAGE AT END OF THE WIRE	23.28 VAC	23.29 VAC	23.28 VAC	23.28 VAC



18: Replace the power supply cover and secure it by tightening the six Phillips screws.

19: At this time, connect the 120 volt wires at the circuit box panel.

Overall Wiring Diagram

