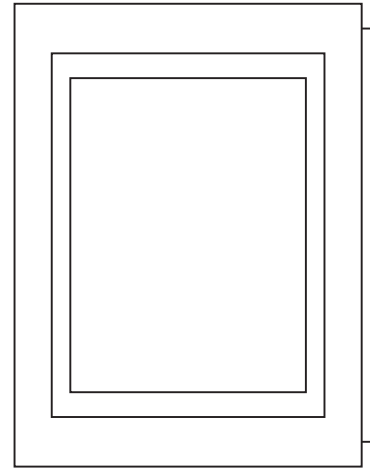


## Installation Instructions for Plaza Small

### IMPORTANT INFORMATION

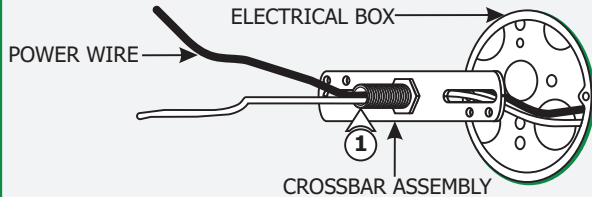
- This product is ETL listed for indoor dry locations.
- This product is wall mounted only.
- This product can mount to either a 4" square electrical box with round plaster ring or an octagon electrical box.
- This product is not dimmable.

**SAVE THESE INSTRUCTIONS!**



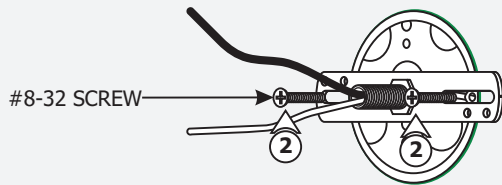
## Install the Fixture

**A**

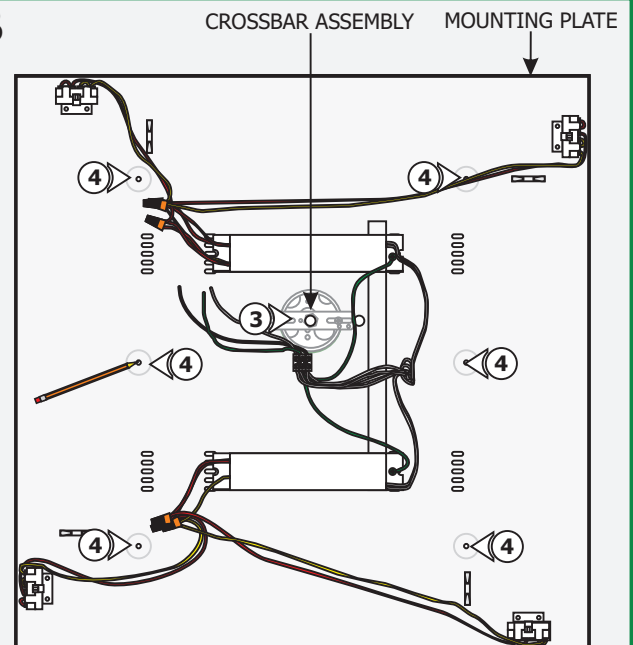


**1:** Feed the power wires through the crossbar assembly center hole.

**2:** Mount the crossbar assembly to the electrical box holes with the provided #8-32 screws.



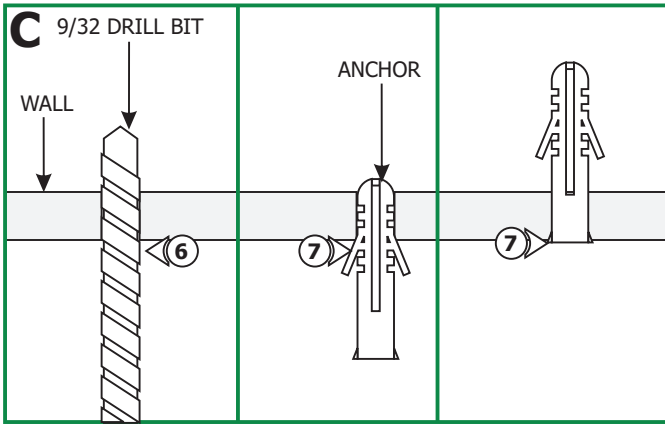
**B**



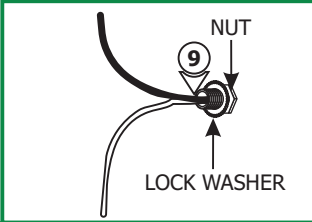
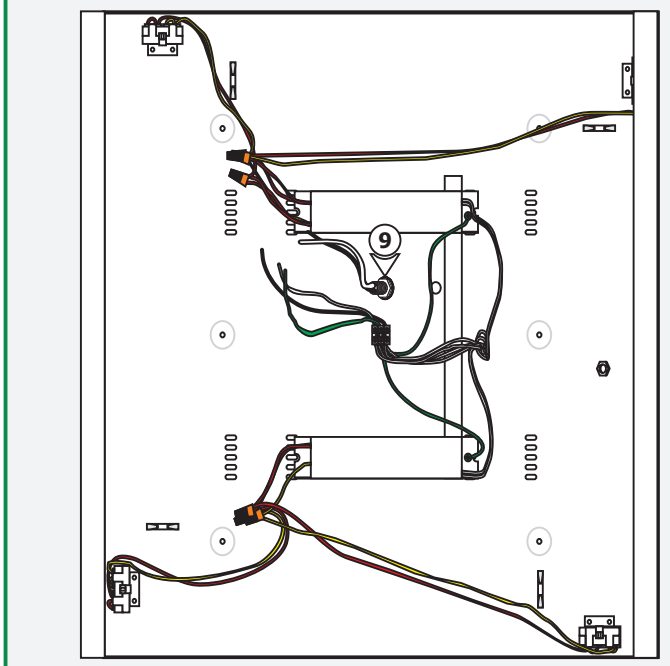
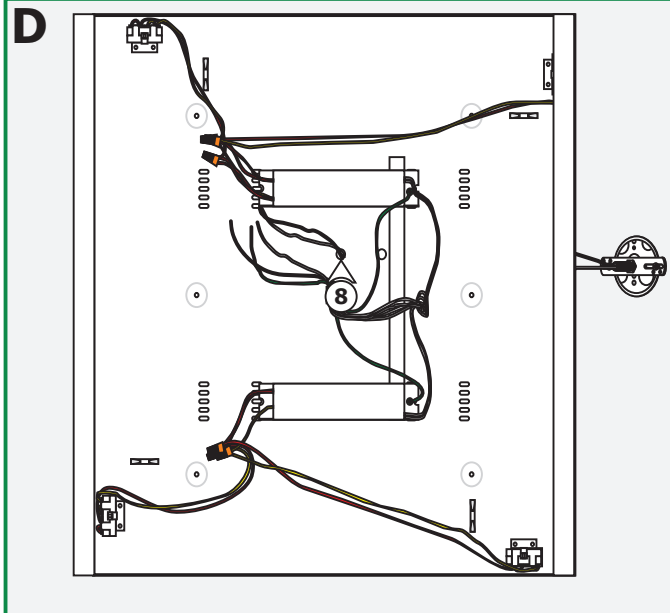
**3:** Align the mounting plate center hole with the crossbar assembly nipple and slide onto the nipple.

**4:** Level the mounting plate horizontally and mark the six mounting plate holes onto the wall. These points are for the anchors.

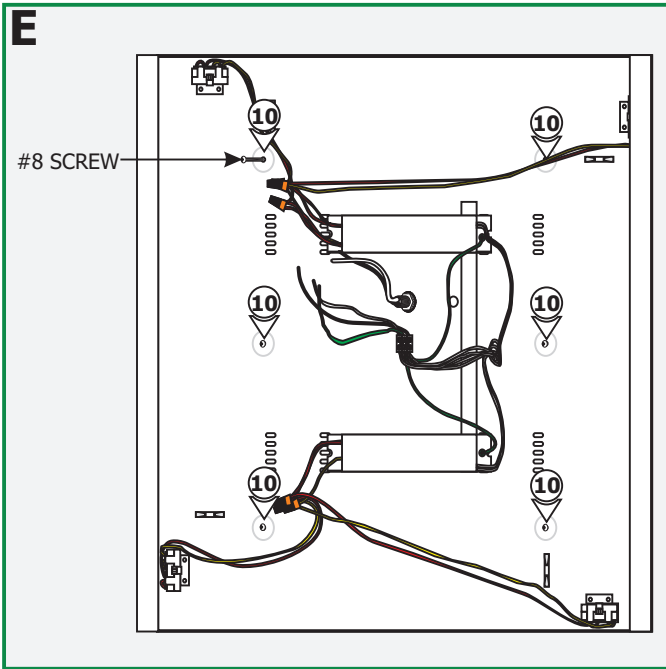
**5:** Remove the mounting plate.



**6:** Use a 9/32 drill bit to make holes on all six marked points.  
**7:** Tap the anchors into the drilled holes with a hammer.



**8:** Feed the power wires through the mounting plate center hole and slide the mounting plate onto the nipple.  
**9:** Secure the mounting plate to the crossbar assembly by tightening the nut and lock washer. Make sure that the mounting plate holes line up with the anchors.

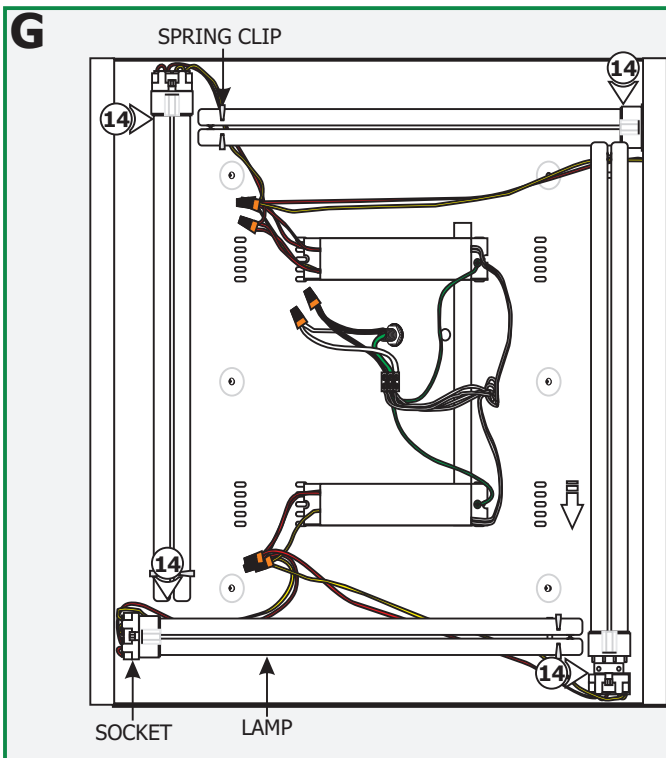
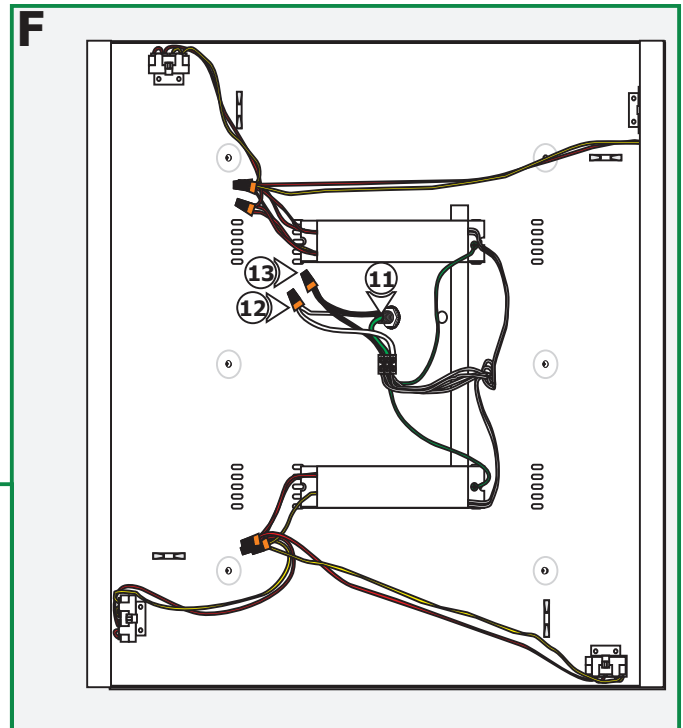


**10:** Level the mounting bracket horizontally and use the #8 screws to secure the mounting plate to the anchors.

**11:** Make sure that the mounting plate is grounded in accordance with local electrical codes.

**12:** Connect the white fixture wire to the neutral power wire with a wire nut.

**13:** Connect the black fixture wire to the hot power wire with a wire nut.

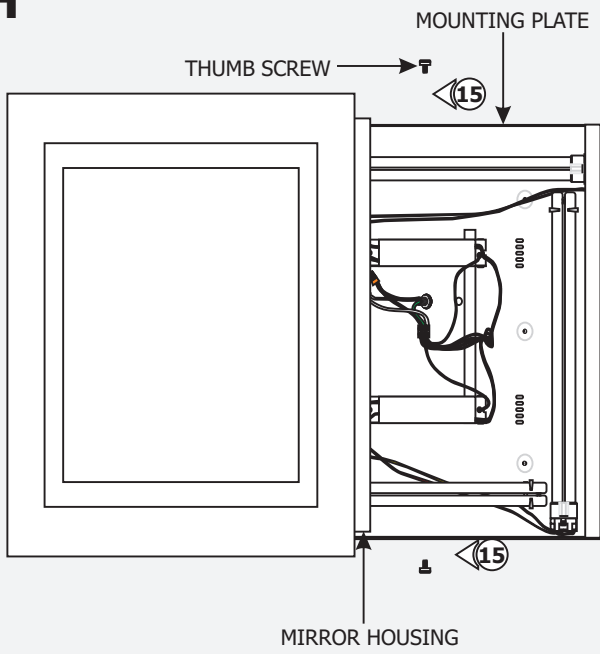


**CAUTION:** To reduce risk of a burn or electrical shock during lamping, disconnect the power to the fixture.

Use **MAX 55** Watt Type 2G11 Base Compact Fluorescent Lamp For Each Socket.



**14:** Push the lamp pins completely into the socket holes and secure by snapping into the spring clips. Repeat this step for the remaining sockets.

**H**

**15:** Place the mirror housing into the mounting plate and secure it in place by tightening the two thumb screws from the top and bottom of the mounting plate into the mirror housing.