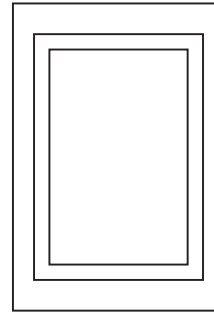


Installation Instructions for Plaza Large

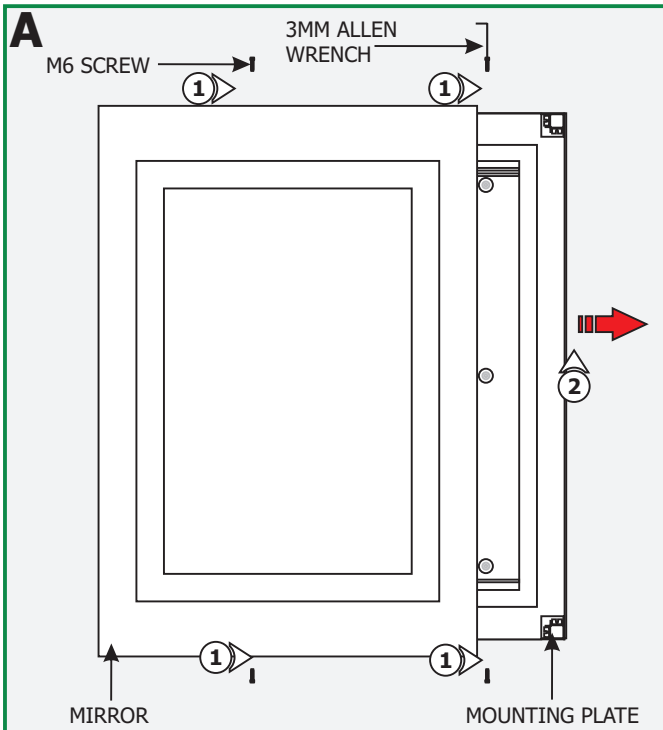
IMPORTANT INFORMATION

- This product is ETL listed for indoor dry locations.
- This product is wall mounted only.
- Supply power to mirror in accordance with local electrical codes.
- This instruction shows a typical installation
- This product is dimmable with 0-10V dimmers.

SAVE THESE INSTRUCTIONS!



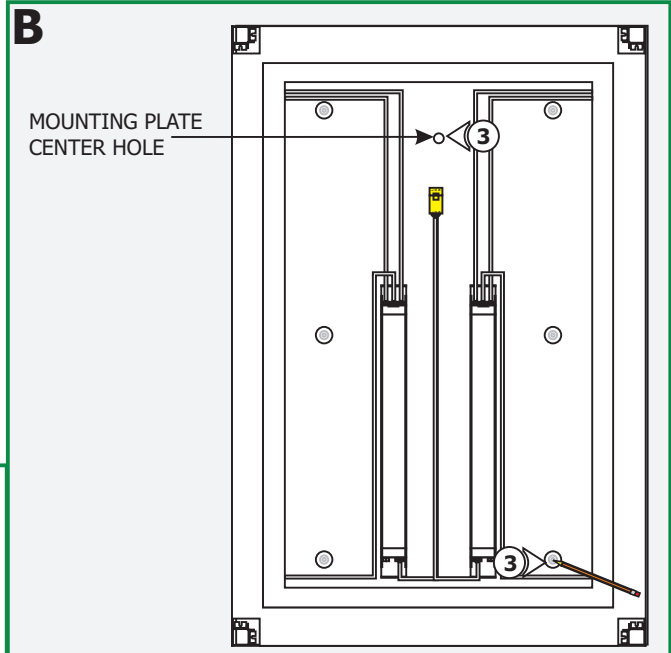
Install the Mounting Plate



NOTE: It is recommended that one person holds the mounting plate while the electrician installs it.

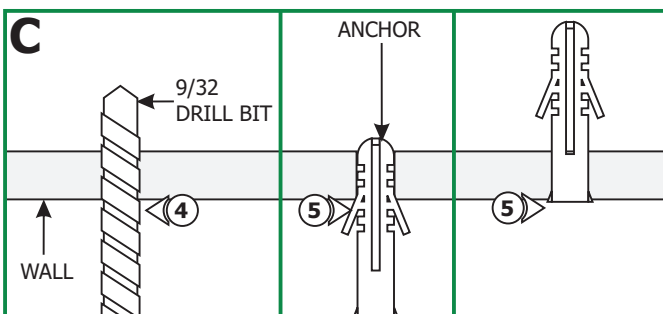
1: Loosen and remove the four M6 screws on the top and bottom of the mounting plate with the 3mm Allen wrench.

2: Pull the mounting plate completely out of the mirror.



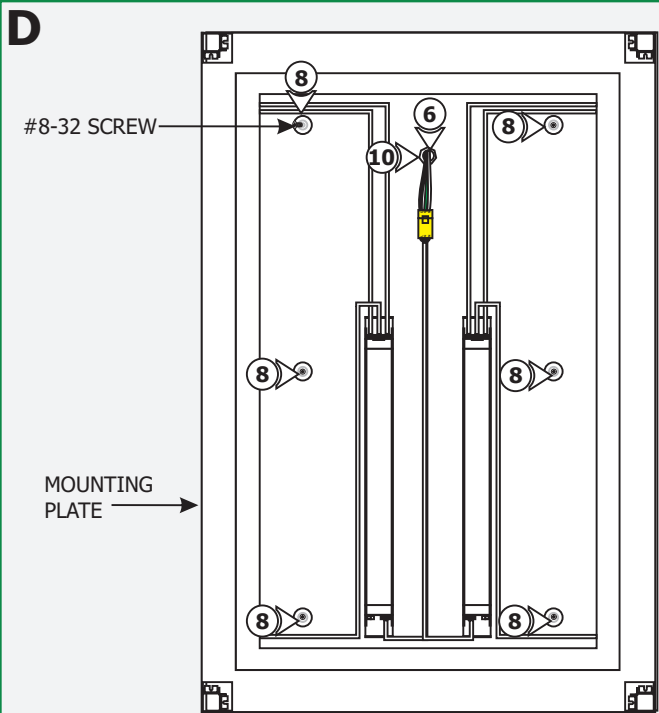
3: Align the mounting plate hole with the power line conduit, or electrical box, and use the mounting plate as a template to mark four mounting holes onto the wall.

NOTE: Make sure that the mounting plate is leveled horizontally.



4: Use a 9/32 drill bit to make holes on all six marked points.

5: Tap the anchors into the drilled holes with a hammer.



6: Install the conduit connector (not provided) to mounting plate hole. Feed the power line through the conduit connector into the mounting plate.

8: Line up the mounting plate holes with the anchors and secure it to the anchors with the six #8-32 screws provided.

9: Make sure that the mounting plate is grounded in accordance with local electrical codes.

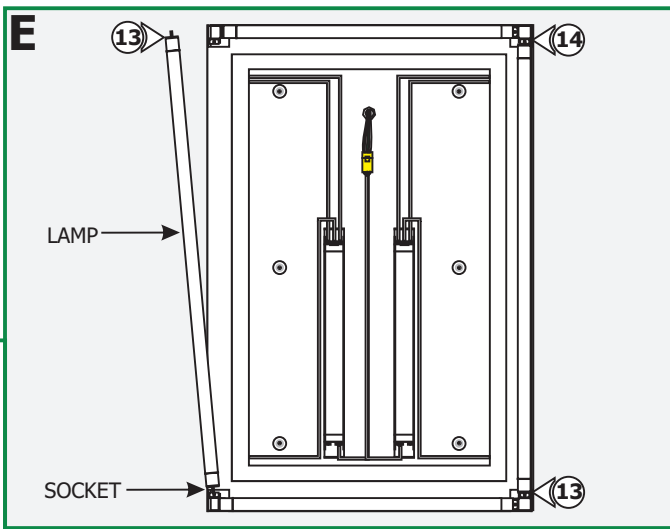
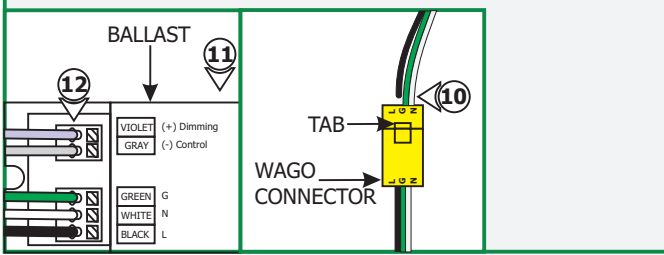
10: Connect the hot, neutral power wires into the wago connector.

NOTE: If necessary, push the tab down and then pull the Wago connector for a quick disconnect.

NOTE: Omit steps 11 & 12 for non-dimming wiring.

11: For dimming, run the violet and gray wires from the dimmer each ballast. The wires must be solid copper (refer to the dimmer instruction for more details).

12: Branch the violet wire to the (+) & the gray wire (-) terminals of each ballast respectively.



CAUTION: To reduce risk of a burn or electrical shock during lamping, disconnect the power to the fixture.

Use **MAX 24** Watt Type T5 HO, Linear Fluorescent Lamp For the top and bottom Socket.

Use **MAX 39** Watt Type T5 HO, Linear Fluorescent Lamp For the right and left Socket.

13: Line up the lamp pins on both sides with the opening on the socket.

14: Insert the lamp pins all the way into the sockets and turn the lamp to lock it in place. Repeat this step for the other lamp.

15: Place the mirror housing onto the mounting plate and secure it in place by tightening the four #8 screw on the top and bottom of the mirror housing into the mounting plate.

