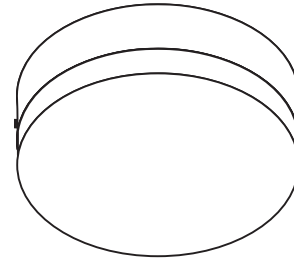


Installation Instructions for Mint Round 6

IMPORTANT SAFETY INSTRUCTIONS

To reduce the risk of fire, electrical shock, exposure to excessive UV radiation, or injury to persons:

- Use this fixture indoors only.
- Do not look directly at the lamp while the fixture is on.
- **RISK OF FIRE:** Use only the type of lamp and maximum wattage indicated in this instruction manual.
- Never cover the halogen lamp with anything other than a lamp shade provided by Edge Lighting and never place flammable material close to the fixture.
- Never turn the fixture on and off by connecting and disconnecting the halogen lamp.
- Do not touch the fixture head, shade or lamp shield while the fixture is on. These surfaces may be **VERY HOT**.
- Do not touch lamp at anytime. Use a soft cloth instead as oil from skin may damage lamp.
- It is normal for a new halogen lamp to produce minor smoke when first turned on.
- Turn power off and allow to cool before replacing lamp.

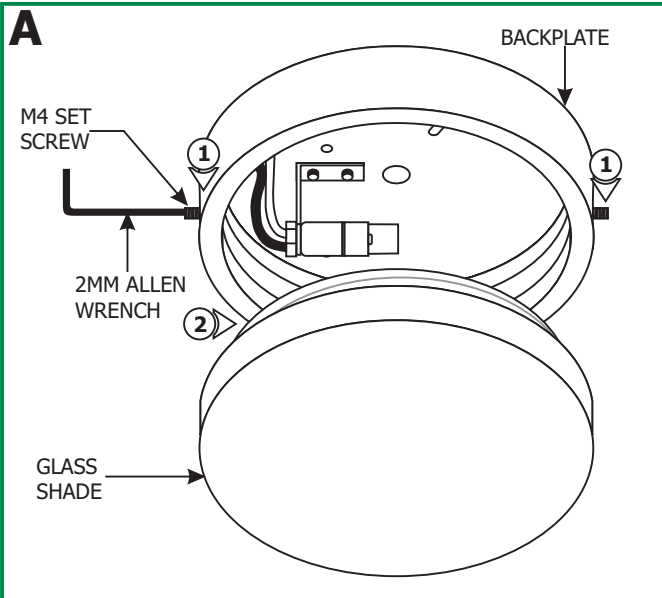


IMPORTANT INFORMATION

- This product is ETL listed for indoor dry locations.
- This product is ceiling mounted only.
- This product can mount to either a 4" square electrical box with round plaster ring or an octagon electrical box.
- This product can be dimmed with a standard incandescent dimmer.

SAVE THESE INSTRUCTIONS!

Install the Fixture



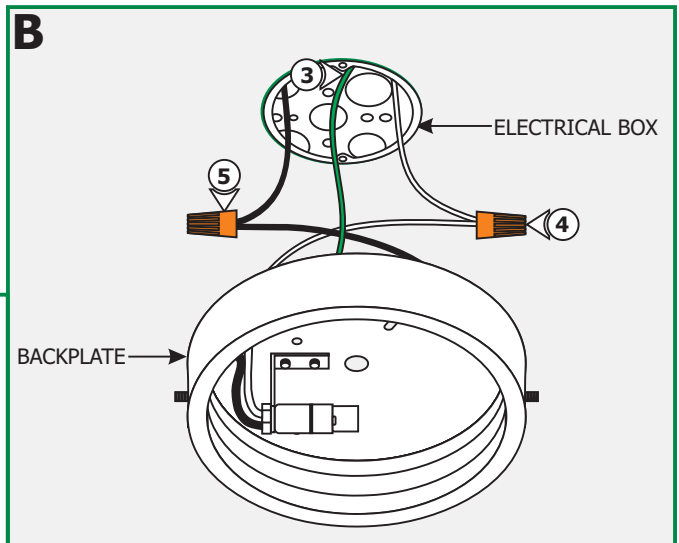
1: Loosen the two M4 set screws (**DO NOT REMOVE**) on the backplate with the 2mm Allen wrench provided.

2: Carefully, unscrew the glass shade to remove it from the backplate.

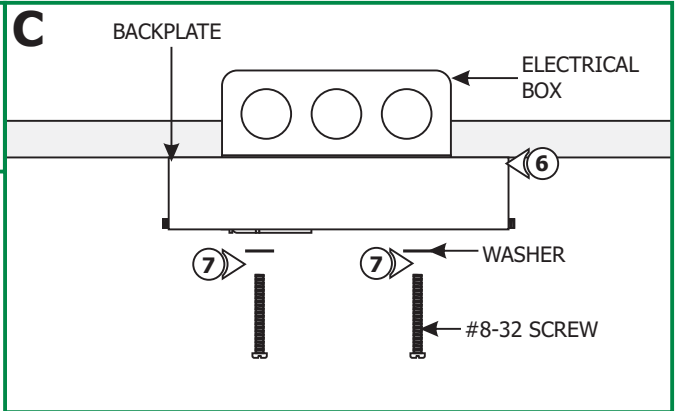
3: Make sure that the fixture is grounded in accordance with local electrical codes.

4: Connect the white fixture wire to the neutral power wire with a wire nut.

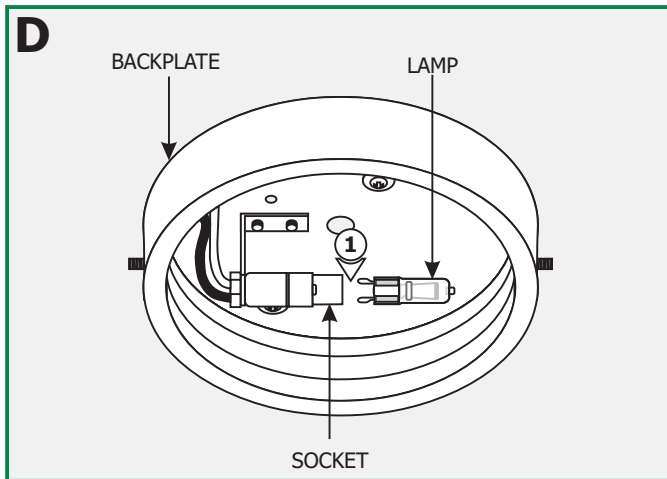
5: Connect the black fixture wire to the hot power wire with a wire nut.



- 6:** Place all wires and wire nut connections inside the electrical box.
- 7:** Mount the backplate to the electrical box holes with the two #8-32 screws and washers provided.



Install the Lamp & Glass Shade



CAUTION: To reduce risk of a burn or electrical shock during lamping, disconnect the power to the fixture.

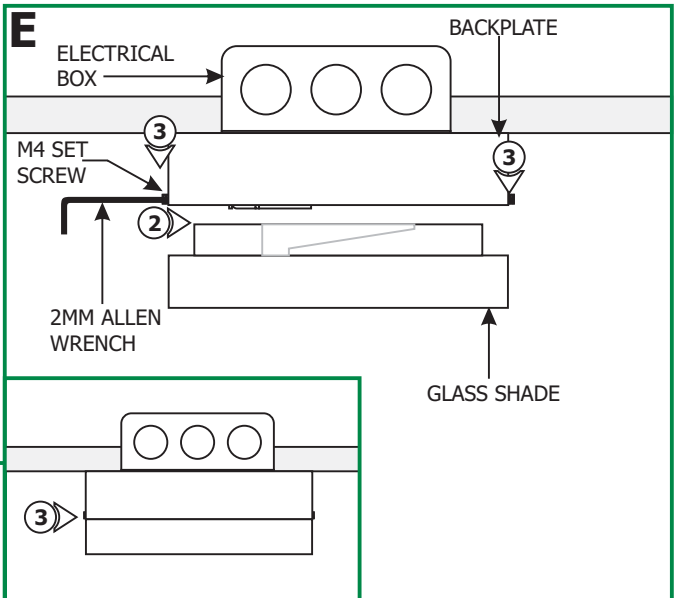
NOTE: The G9 lamp has an internal glass envelope and is safe to be used without a lamp shield.

NOTE: Use only fingers and a soft cloth to install the lamp.

Use **MAX 40** Watt Type T4, G9 Base, Bi-Pin Halogen Lamp.



1: Push the lamp completely into the socket.



2: Replace and screw the glass shade into the backplate until it locks in place.

3: Tighten the two M4 set screws with the 2mm Allen wrench.