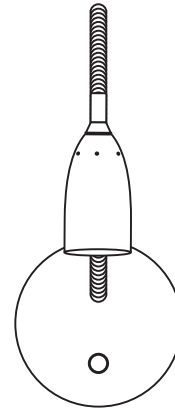


## Installation Instructions for **Micro**

### IMPORTANT SAFETY INSTRUCTIONS

To reduce the risk of fire, electrical shock, exposure to excessive UV radiation, or injury to persons:

- Do not look directly at the lamp while the fixture is on.
- **RISK OF FIRE:** Use only the type of lamp and maximum wattage indicated in this instruction manual.
- Never cover the halogen lamp with anything other than a lamp shield provided by Edge Lighting and never place flammable material close to the fixture.
- Never turn the fixture on and off by connecting and disconnecting the halogen lamp.
- Do not touch the fixture head, shade or lamp shield while the fixture is on. These surfaces may be **VERY HOT**.
- Do not touch lamp at anytime. Use a soft cloth instead as oil from skin may damage lamp.
- It is normal for a new halogen lamp to produce minor smoke when first turned on.
- Turn power off and allow to cool before replacing lamp.

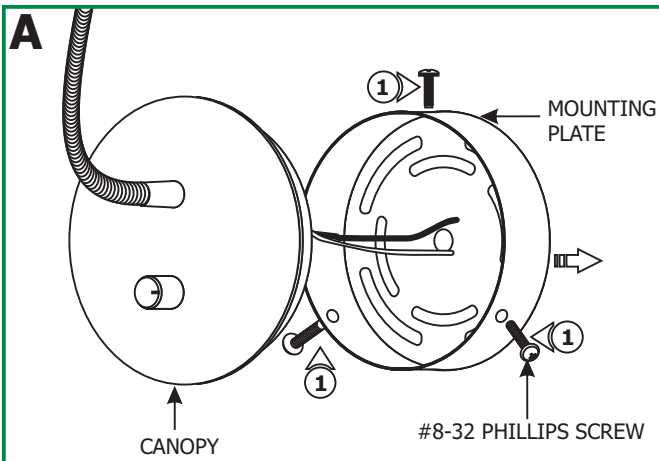


### IMPORTANT INFORMATION

- This product is ETL listed for indoor location
- This product can be wall mounted.
- This product can mount to either a 4" square electrical box with round plaster ring or an octagon electrical box.
- This instruction shows a typical installation.

**SAVE THESE INSTRUCTIONS!**

## Install the Fixture

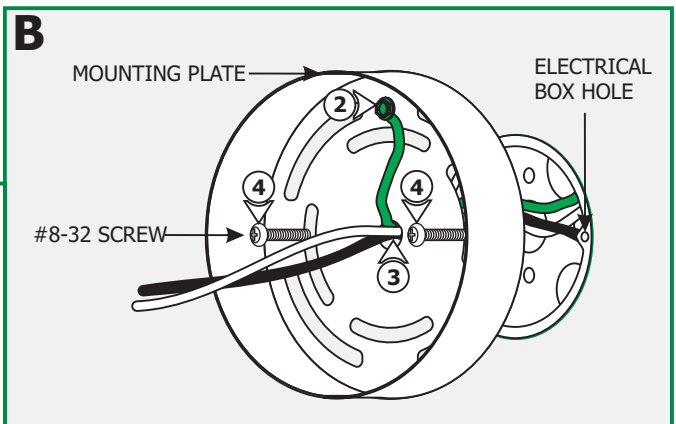


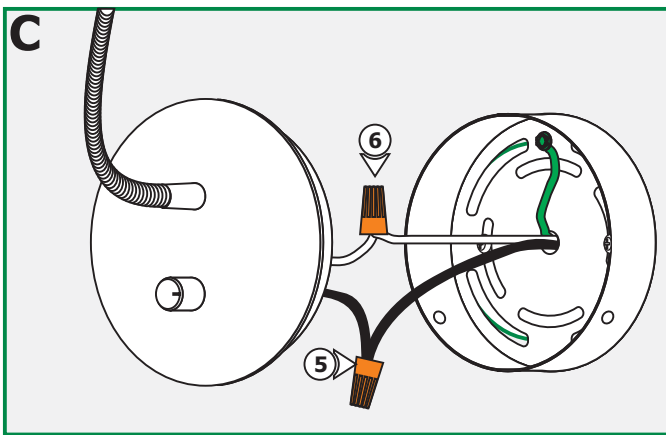
**1:** Loosen and remove the three Phillips screws around the mounting plate. Carefully remove the mounting plate from the fixture canopy.

**2:** Make sure the mounting plate is grounded in accordance with local electrical codes.

**3:** Feed the power wires through the mounting plate center hole.

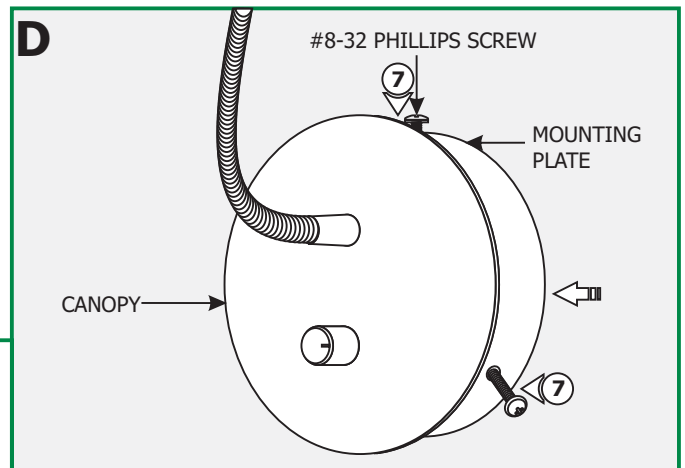
**4:** Secure the mounting plate to the electrical box holes with the provided #8-32 screws.



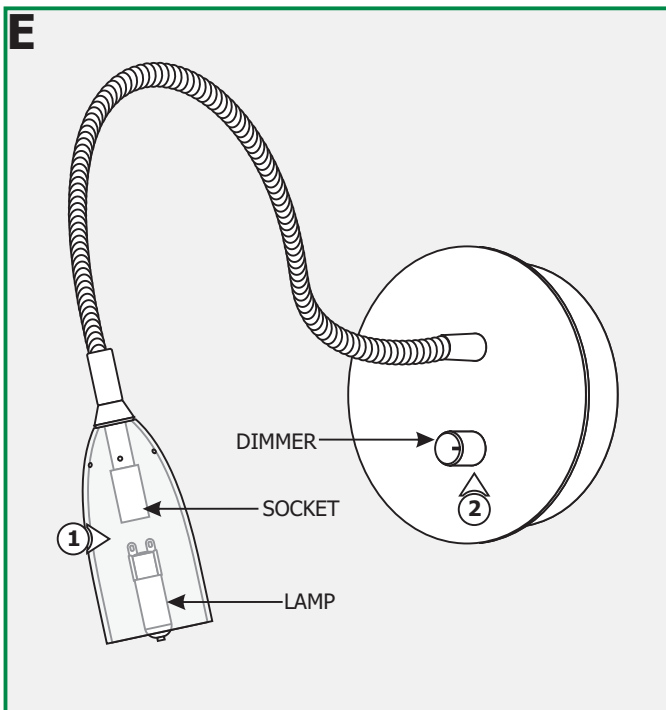


- 5:** Connect the white fixture wires to the neutral power wire with a wire nut.
- 6:** Connect the black fixture wires to the hot power wire with a wire nut.

- 7:** Place the wires and wire nuts inside the canopy.
- 8:** Slide the canopy onto the mounting plate and secure it in place by tightening the three Phillips screws.



## Install the Lamp



**CAUTION:** To reduce risk of a burn or electrical shock during lamping, disconnect the power to the fixture.

**NOTE:** Use only fingers and a soft cloth to install the lamps.

Use **MAX** 40 Watt Type T4, G9 Base, Bi-Pin Halogen Lamp.



- 1:** Push the lamp pins completely into the socket holes.
- 2:** Use the dimmer to control the lamp intensity.