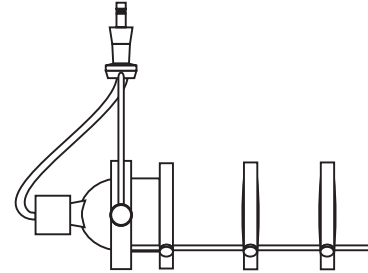


Installation Instructions for **Harley with Gobo Holder**

IMPORTANT SAFETY INSTRUCTIONS

To reduce the risk of fire, electrical shock, exposure to excessive UV radiation, or injury to persons:

- Use this fixture indoors only.
- Do not look directly at the lamp while the fixture is on.
- **RISK OF FIRE:** Use only the type of lamp and maximum wattage indicated in this instruction manual.
- Never cover the halogen lamp with anything other than a lamp shield provided by Edge Lighting and never place flammable material close to the fixture.
- Never turn the fixture on and off by connecting and disconnecting the halogen lamp.
- Do not touch the fixture head, shade or lamp shield while the fixture is on. These surfaces may be **VERY HOT**.
- Do not touch lamp at anytime. Use a soft cloth. Oil from skin may damage lamp.
- It is normal for a new halogen lamp to produce minor smoke when first turned on.
- Do not operate the luminaire with a missing or damaged shield.
- Turn power off and allow to cool before replacing lamp.

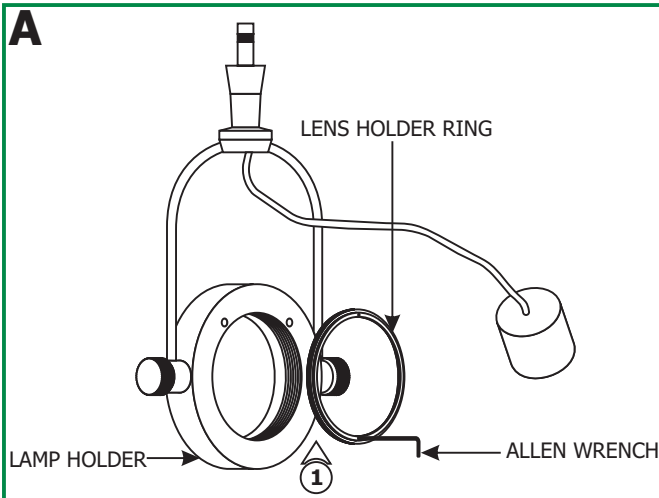


IMPORTANT INFORMATION

- This product is ETL listed for indoor dry locations.
- This product is not restricted to certain height installation. It is approved to be used at any height above the floor.
- Applicable accessories are Hexcell Louver, Glass Lenses, Gobo, and lens holder.

SAVE THESE INSTRUCTIONS!

Install the Fixture



- 1:** Use a small Allen wrench or a pen point to loosen and remove the lens holder ring from the lamp holder.

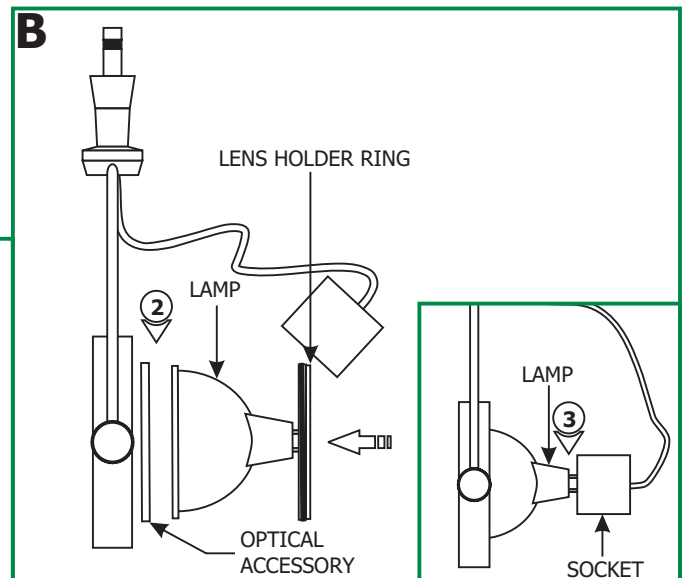
CAUTION: To reduce risk of a burn or electrical shock during lamping, disconnect the power to the fixture.

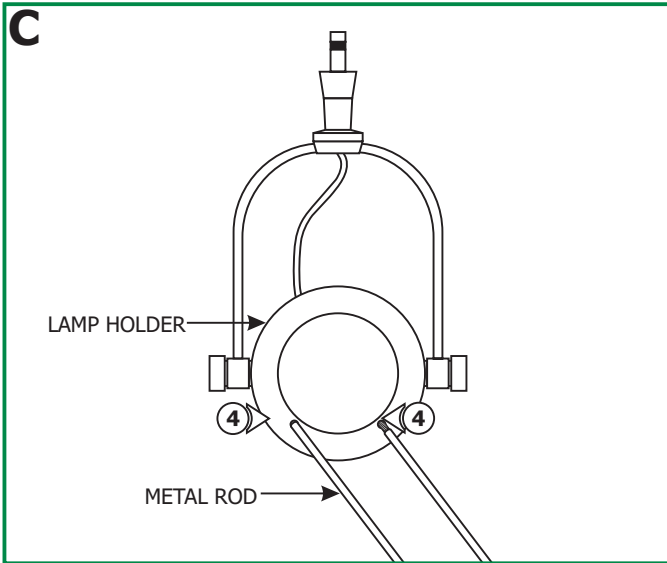
Use **MAX 75 Watt**, Type MR16 Front Glass Cover Halogen Lamp.



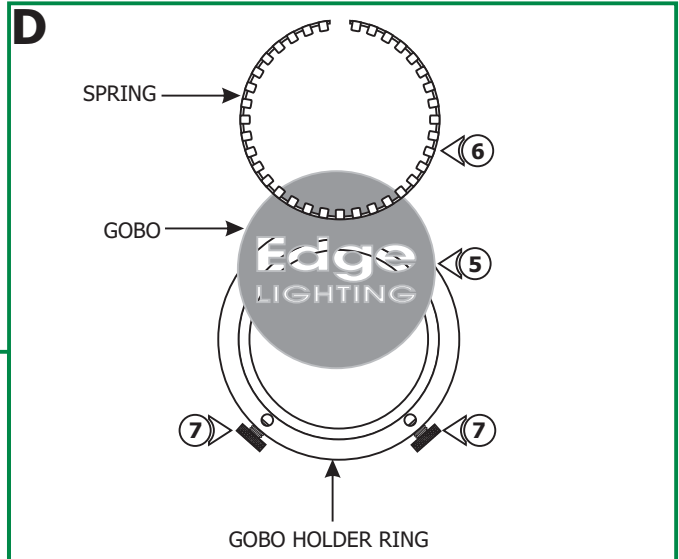
- 2:** Place an optional optical accessory and lamp into the lamp holder, and secure them by tightening the lens holder ring to the lamp holder.

- 3:** Push the socket completely onto the lamp pins.

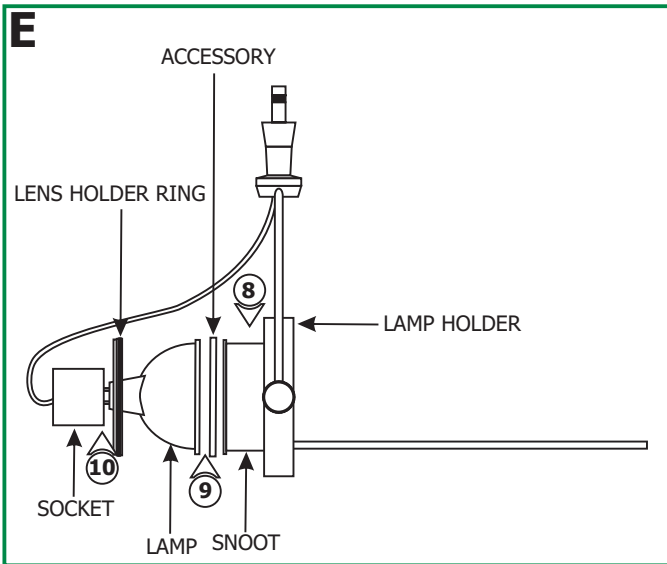




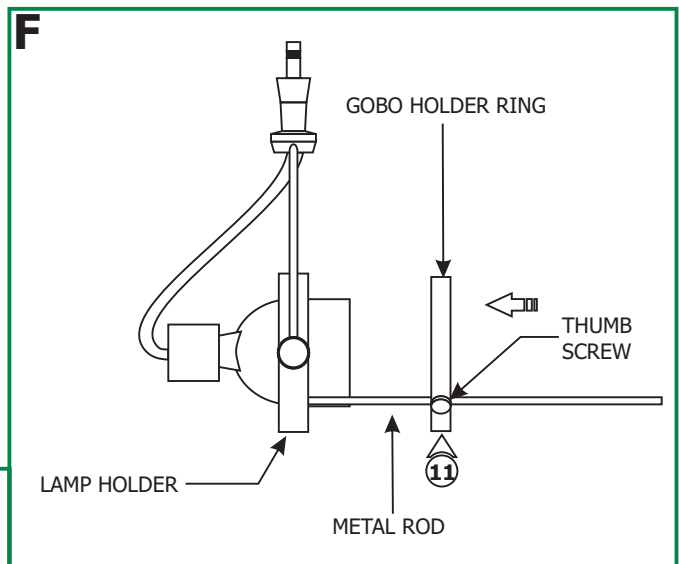
4: Screw the two metal rods completely into the threaded holes on the lamp holder of the Harley fixture.



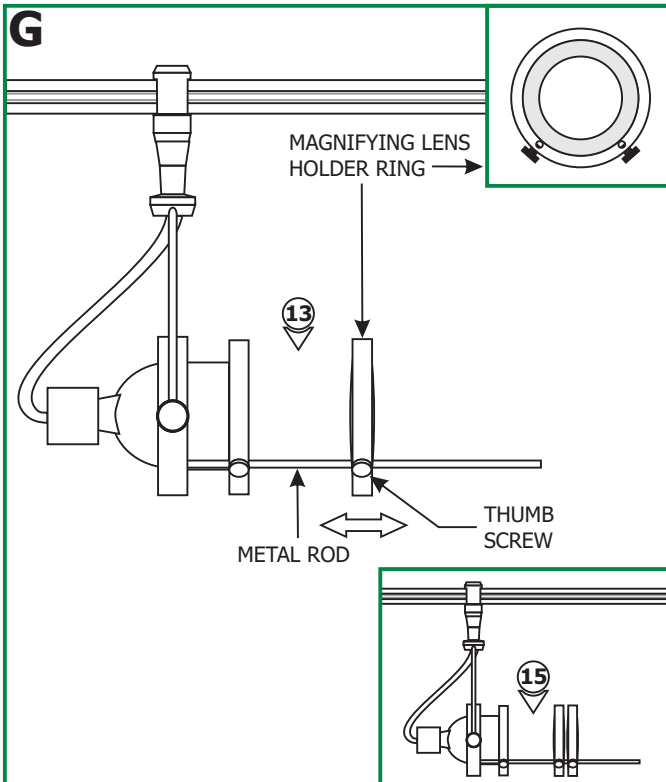
- 5:** Place the gobo inside the gobo holder ring.
- 6:** Squeeze the spring end and place it properly on front of the gobo into the gobo holder ring.
- 7:** Release the spring ends to secure the gobo in place.



- 8:** Place the snoot completely into the lamp holder.
- 9:** Place the lens accessory (optional) in to lamp holder. Place the lamp completely against the snoot (or lens) and secure it in place by tightening the ring holder.
- 10:** Push the socket holes completely onto the lamp pins.



11: Place the gobo holder ring holes onto the metal rods. Slide the gobo holder ring back against the snoot and tighten the thumb screws.

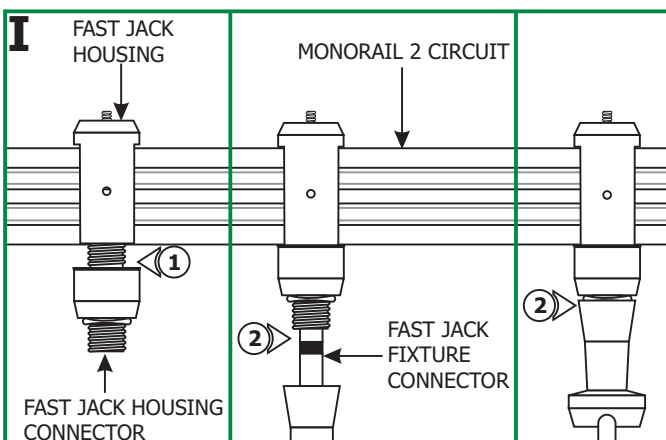
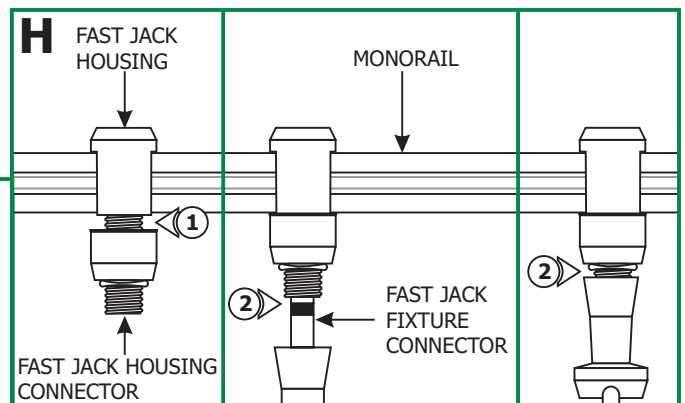


NOTE: The projected gobo image on the wall gets larger and the intensity of the image gets dimmer as the fixture is installed farther from the wall.

- 12: Install the harley with the gobo to the corresponding system by referring to drawing H through K on page 3 and 4.
- 13: First use the magnifying lens holder with the metal trim. Place the magnifying lens holder holes onto the metal rods by sliding the magnifying lens holder. When focused image is achieved, tighten the thumb screws.
- 14: If necessary add the second magnifying lens holder ring (without metal trim-included) to increase the magnified image size.
- 15: To increase the image size even bigger, add the third magnifying lens (optional-sold separately).

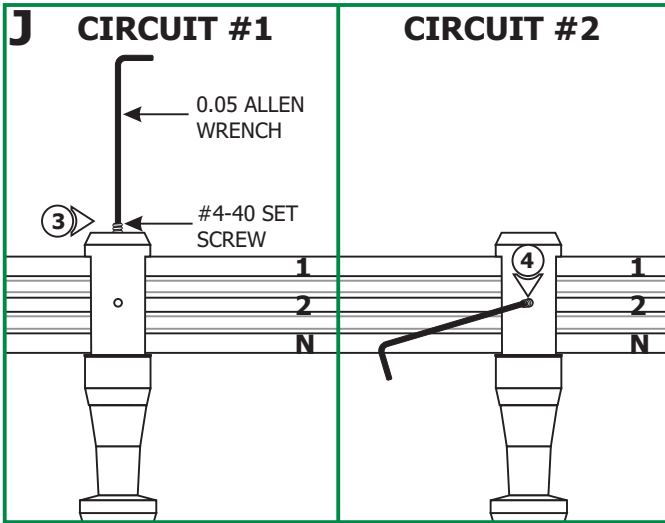
Install the Fixture to Monorail Connector (MC-FJ-_)

- 1: Place the Fast Jack housing onto the Monorail and use fingers to tighten the Fast Jack housing connector to the Fast Jack housing. **Make sure that the Fast Jack housing connector is not cross threaded.**
- 2: Use fingers to tighten the Fast Jack fixture connector into the Fast Jack housing connector.



Install the Fixture to Monorail 2 Circuit Connector (M2C-FJ-_)

- 1: Place the Fast Jack housing onto the Monorail 2 Circuit and use fingers to tighten the Fast Jack housing connector to the Fast Jack housing. **Make sure that the Fast Jack housing connector is not cross threaded.**
- 2: Use fingers to tighten the Fast Jack fixture connector into the Fast Jack housing connector.



- 3:** To power the fixture from circuit #1, top and bottom (neutral) rails, tighten the #4-40 set screw on top of the housing with the 0.05 Allen wrench. **Make sure this set screw connection is very tight.**
- 4:** To power the fixture from circuit #2, middle and bottom (neutral) rails, remove the #4-40 set screw from top of the housing and tighten it into the side threaded hole with the 0.05 Allen wrench. **Make sure this set screw connection is very tight.**

NOTE: To avoid shorting the system, do not use more than one set screw to select a circuit on the Monorail 2 Circuit connector.

NOTE: Do not load either circuit over the maximum system rating.

Install the Fixture to Fast Jack Canopy (FJP-2SQ-_, FJP-4SQ-_, FJP-4RD-_)

- 1:** Use fingers to tighten the Fast Jack fixture connector into the Fast Jack canopy connector.

