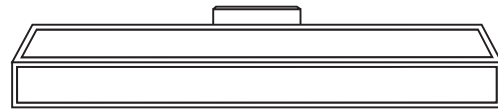


Installation Instructions for **Greta**

IMPORTANT SAFETY INSTRUCTIONS

To reduce the risk of fire, electrical shock, exposure to excessive UV radiation, or injury to persons:

- Use this fixture indoors only.
- Do not look directly at the lamp while the fixture is on.
- **RISK OF FIRE:** Use only the type of lamp and maximum wattage indicated in this instruction manual.
- Never cover the halogen lamp with anything other than a lamp shield provided by Edge Lighting and never place flammable material close to the fixture.
- Never turn the fixture on and off by connecting and disconnecting the halogen lamp.
- Do not touch the fixture head, shade or lamp shield while the fixture is on. These surfaces may be **VERY HOT**.
- Do not touch lamp at anytime. Use a soft cloth instead as oil from skin may damage lamp.
- It is normal for a new halogen lamp to produce minor smoke when first turned on.
- Turn power off and allow to cool before replacing lamp.



CENTER MOUNT INSTALLATION



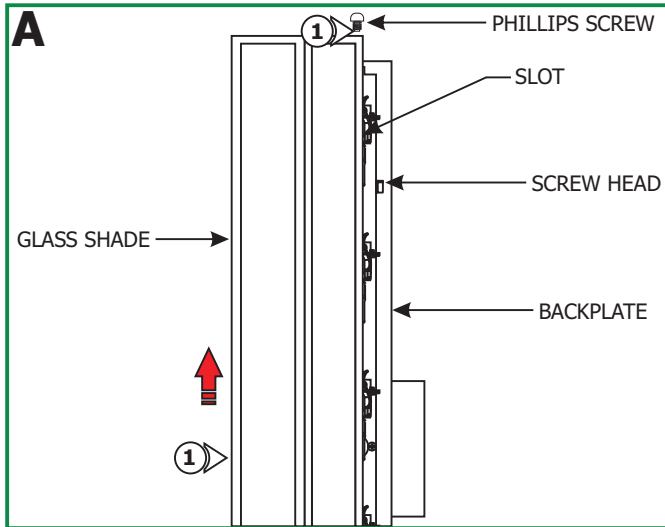
OFF-CENTER MOUNT INSTALLATION

IMPORTANT INFORMATION

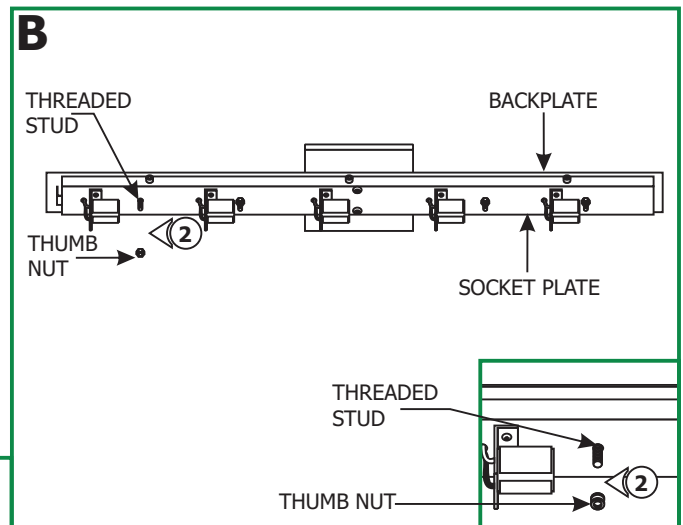
- This product is ETL listed for indoor dry locations.
- This product is wall mounted only, either vertically or horizontally.
- This product can mount to either a 4" square electrical box with round plaster ring or an octagon electrical box.
- This product can be dimmed with a standard incandescent dimmer.

SAVE THESE INSTRUCTIONS!

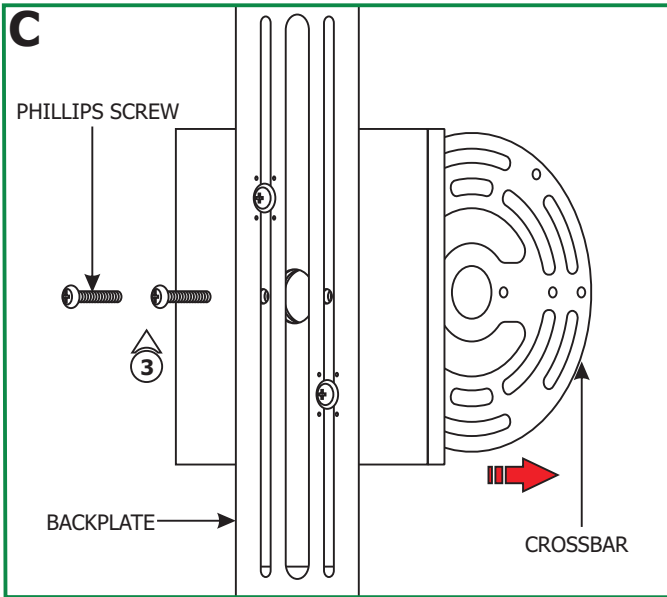
Disassemble the Fixture



1: Remove the Phillips screw on the top of the glass shade and slide the glass shade up to remove it from the backplate.



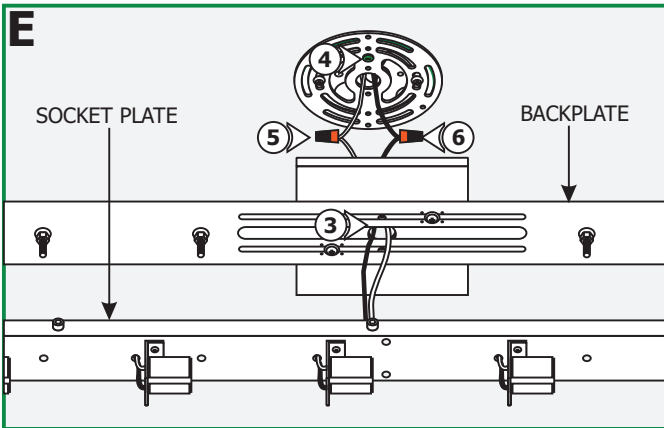
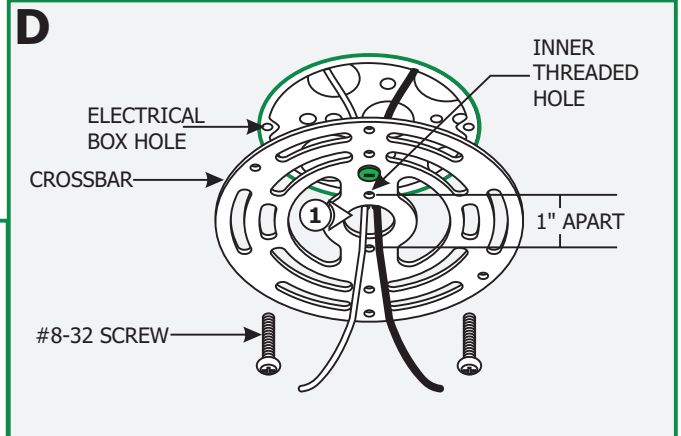
2: Remove the four thumb nuts from the threaded studs to detach the socket plate from the backplate.



3: Unscrew the two Phillips screws in the center of the backplate to remove the crossbar. **These screws will be used at a different location later during installation.**

- 1:** Feed the power wires through the crossbar center cutout.
- 2:** Level the two inner threaded holes (spaced 1" apart) either horizontally (to mount the Greta for vertical position), or vertically (to mount the Greta for horizontal position). Secure the crossbar to the electrical box with the provided two #8-32 screws.

Install the Fixture



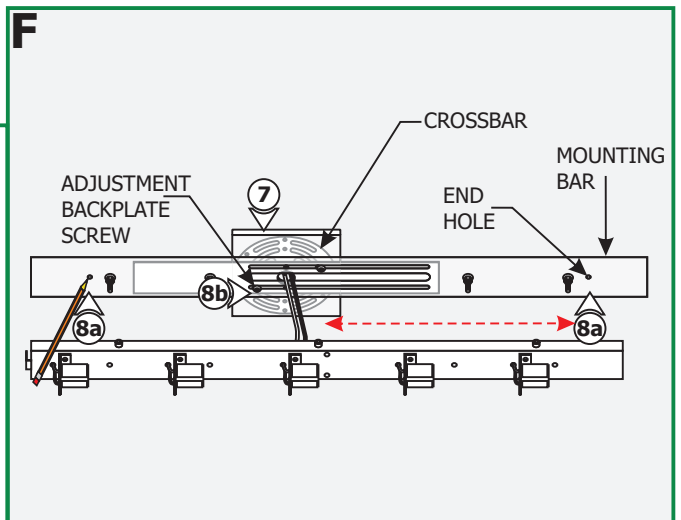
NOTE: It is recommended a person to hold the fixture while the electrician connects the power to the fixture.

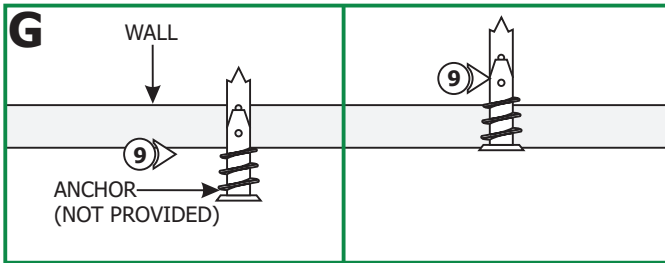
- 3:** While holding the fixture feed the socket plate wires into the backplate center hole.
- 4:** Make sure that the crossbar is grounded in accordance with local electrical codes.
- 5:** Connect the white fixture wire to the neutral power wire with a wire nut.
- 6:** Connect the black fixture wire to the hot power wire with a wire nut.

7: Align the backplate screw holes to the electrical box mounting holes, and place the backplate on wall to mark the anchor location.

8a: If mounting fixture centered: mark the end holes of the mounting on the wall. These marked holes are for anchors (not provided).

8b: If mounting fixture off centered: slightly loosen the two backplate screws and slide the mounting bar to the desired position and tighten the backplate screws. Mark the end holes of the mounting on the wall. These marked holes are for anchors (not provided).





9: Remove the backplate from the wall and tap the anchors on the marked points up to the threaded portion with a hammer. Screw in the threaded portion of the anchors with a Phillips screwdriver.

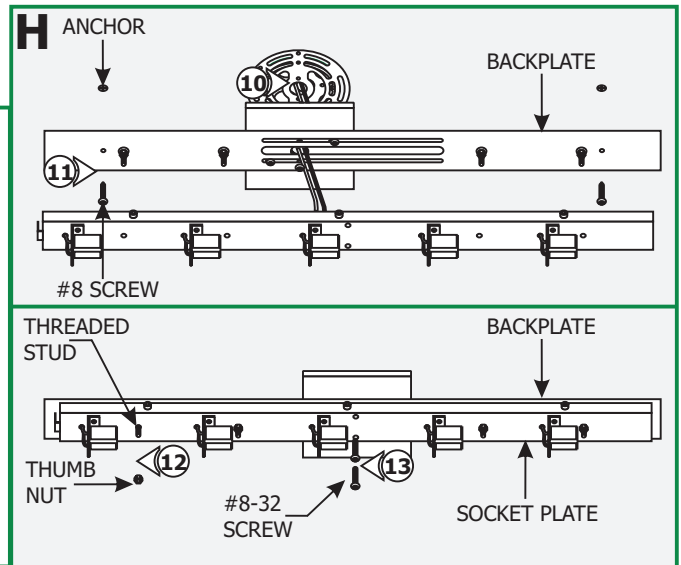
WARNING: When Mounting Greta vertically, the socket must face down to avoid heat build up, damaging the socket.

10: Place all wires and wire nut connections through the crossbar center hole properly inside the electrical box.

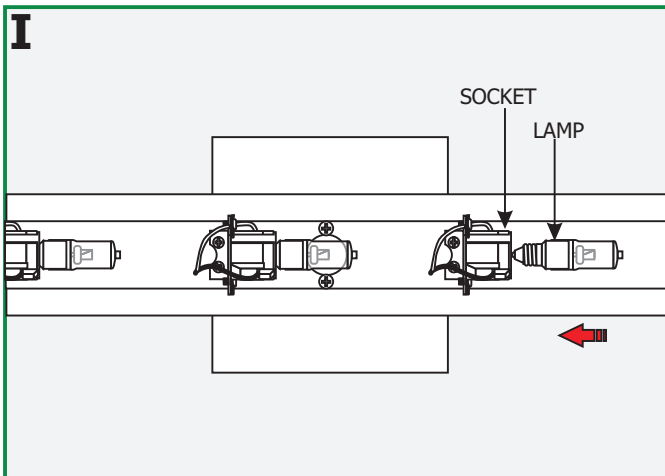
11: Secure the ends of the backplate to the anchors with the two #8 screws.

12: Slide the socket plate holes onto the backplate threaded studs and secure it in place by tightening the four thumb nuts.

13: Tighten the two #8-32 screws through the backplate holes into the crossbar inner threaded holes to secure the fixture in place.



Install the Lamp & Glass Shade



CAUTION: To reduce risk of a burn or electrical shock during lamping, disconnect the power to the fixture.

Use **MAX 40** Watt Type E11 Base, Halogen or Xenon Lamp For each Socket.



1: Using a soft cloth, screw the lamps completely into the sockets.

2: Align the glass shade slots with the screw heads on the side. Push the glass shade onto the backplate and slide it down to lock in place.

3: Secure the glass shade to the backplate by tightening the Phillips screw. **DO NOT OVER TIGHTEN PHILLIPS SCREW, WHICH MAY CAUSE THE GLASS TO BREAK.**

