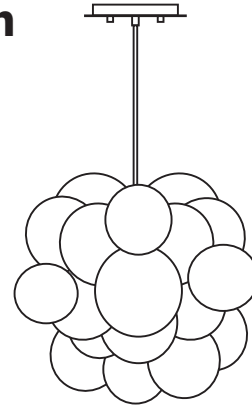


Installation Instructions for Graciano Suspension

IMPORTANT SAFETY INSTRUCTIONS

To reduce the risk of fire, electrical shock, exposure to excessive UV radiation, or injury to persons:

- Do not look directly at the lamp while the fixture is on.
- **RISK OF FIRE:** Use only the type of lamp and maximum wattage indicated in this instruction manual.
- Never cover the halogen lamp with anything other than a lamp shield provided by Edge Lighting and never place flammable material close to the fixture.
- Never turn the fixture on and off by connecting and disconnecting the halogen lamp.
- Do not touch the fixture head, shade or lamp shield while the fixture is on. These surfaces may be **VERY HOT**.
- Do not touch lamp at anytime. Use a soft cloth instead as oil from skin may damage lamp.
- It is normal for a new halogen lamp to produce minor smoke when first turned on.
- Do not operate the luminaire with a missing or damaged shield.
- Turn power off and allow to cool before replacing lamp.

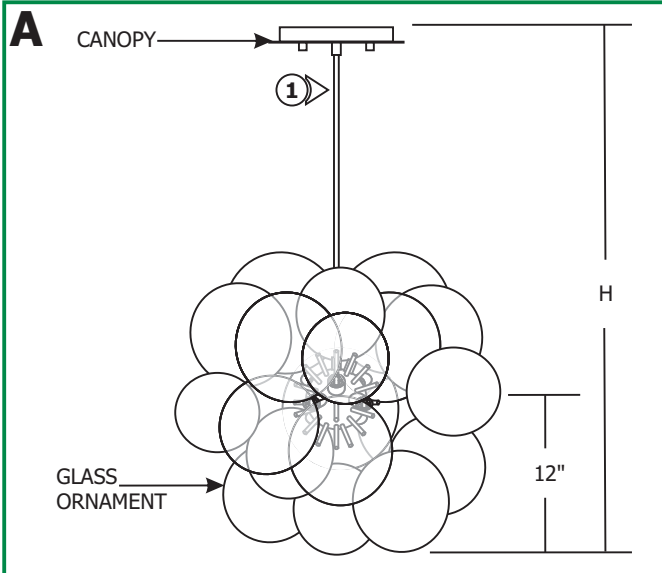


IMPORTANT INFORMATION

- This product is suitable for indoor locations.
- This product can mount to either a 4" square electrical box with round plaster ring or an octagon electrical box.
- This product is dimmable with a standard incandescent dimmer.

SAVE THESE INSTRUCTIONS!

Install the fixture

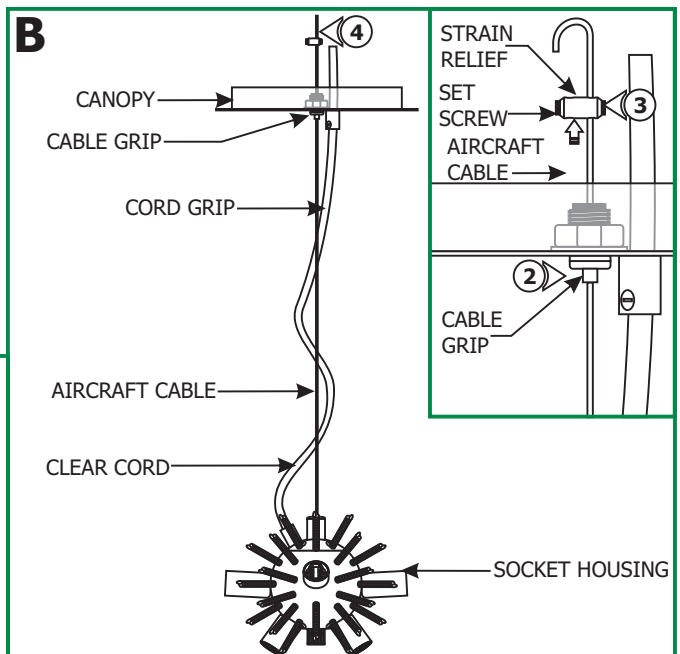


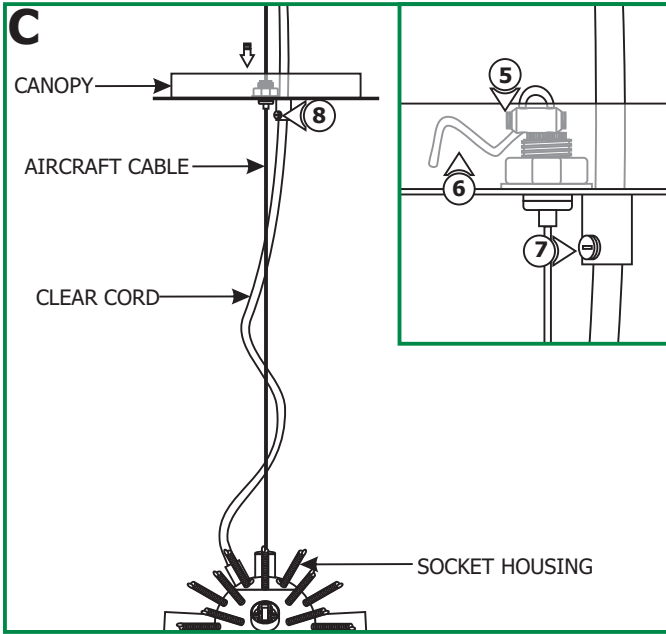
1: Determine the desired fixture height (H), from the bottom of the glass ornaments to the top of the canopy.

2: Slide the canopy up and down by pushing the tab on the aircraft cable grip until desired height is achieved. Release the tab to lock the aircraft cable in place.

3: Loosen the M4 set screws on both sides of the strain relief with the 2mm Allen wrench.

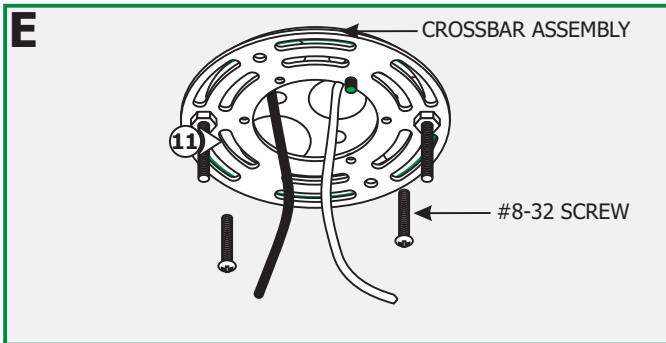
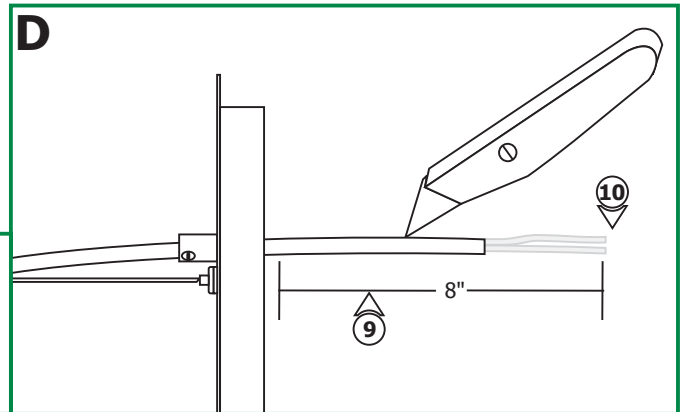
4: Pull the end of the aircraft cable out of one strain relief hole. Slide the strain relief down the aircraft cable behind the cable grip.





- 5:** Loop the end of the aircraft cable into the other strain relief hole and tighten the two M4 set screws with the 2mm Allen wrench.
- 6:** Trim off excess aircraft cable behind the strain reliefs with a sharp cutter.
- 7:** Loosen the slotted set screw on the cord grip with a flat screwdriver and push the excess clear cord into the canopy.
- 8:** Tighten the slotted set screw on the cord grip to lock the clear cord in place.

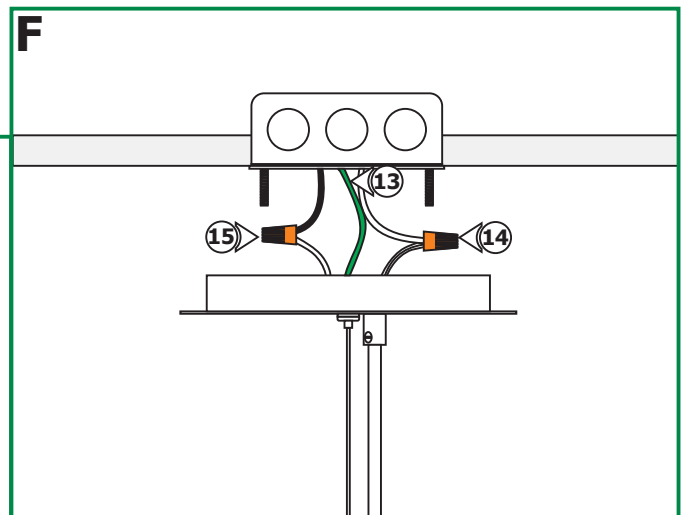
- 9:** Leave 8" of the clear cord exposed behind the canopy for power connection. Trim off the excess clear cord.
- 10:** From the end of the clear cord, strip 4" of the outer insulation using a sharp knife. Make sure not to nick the inner wires. Trim off the cut out insulation.

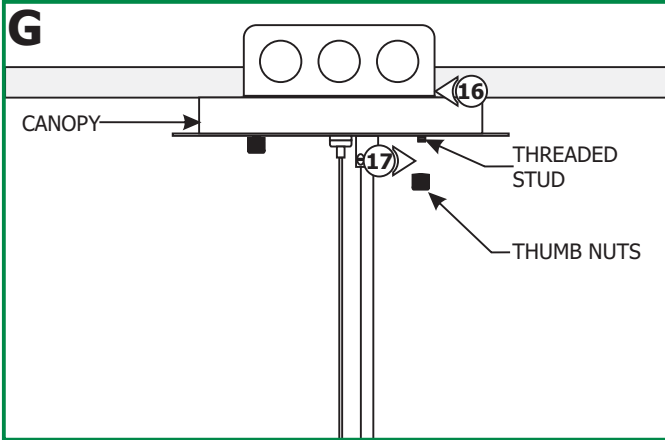


- 11:** Mount the crossbar assembly to the electrical box holes with the two #8-32 screws provided.

NOTE: It is recommended a person to hold the fixture while the electrician connects the power to the fixture.

- 12:** Make sure the power to the electrical box is off.
- 13:** Make sure that the canopy is grounded in accordance with local electrical codes.
- 14:** Connect the clear wire with a rough edge to the neutral power wire with a wire nut.
- 15:** Connect the other clear wire to the hot power wire with a wire nut.

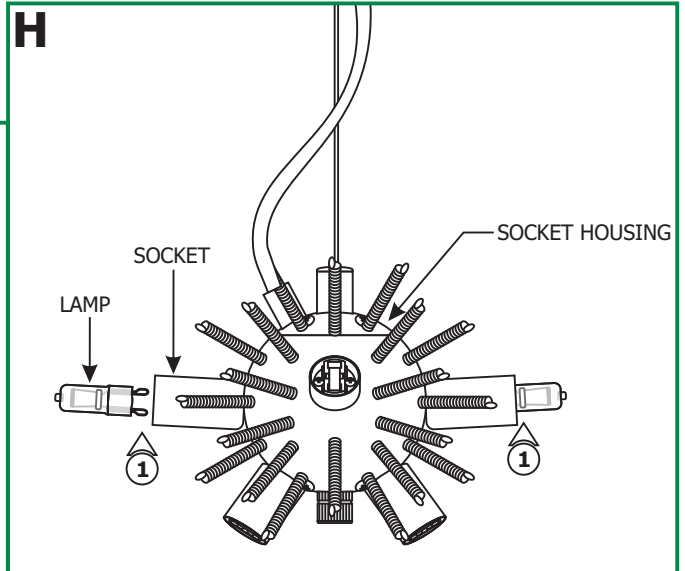




16: Place all wires and wire nut connections inside the canopy.

17: Align and slide the canopy holes onto the threaded studs. While holding the canopy, tighten the two thumb nuts to secure the canopy in place.

Install the Lamps & Glass Ornaments



CAUTION: To reduce risk of a burn or electrical shock during lamping, disconnect the power to the fixture.

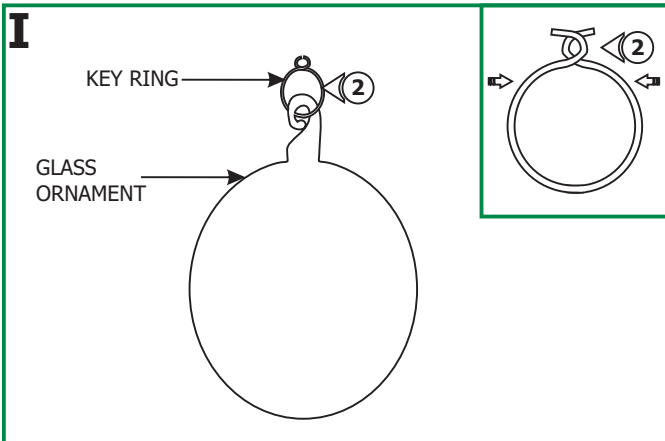
NOTE: The G9 lamp has an integral glass envelope and is thus safe to be used without a lamp shield.

NOTE: Use only fingers and a soft cloth to install the lamps.

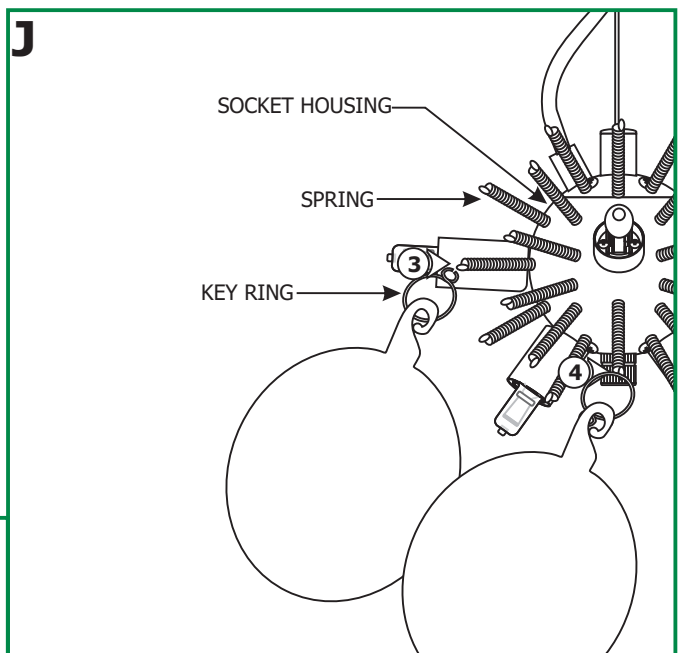
Use **MAX** 40 Watt Type T4, G9 Base, Bi-Pin Halogen Lamp, For Each Socket.



1: For each socket, push the lamp pins completely into the socket holes.



2: Squeeze the key ring to open the ends. Slide one end through a glass ornament.



3: Squeeze the key ring to open the ends and slide one end into a socket housing spring.

4: Repeat steps 2 and 3 for the remaining glass ornaments.