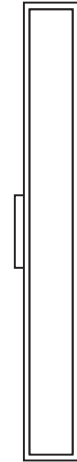


Installation Instructions for Garbo Wall

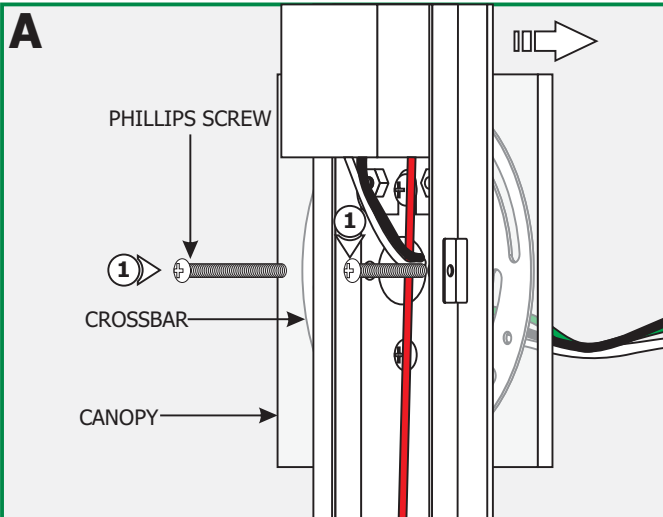
IMPORTANT INFORMATION

- This product is ETL listed for indoor dry locations.
- This product is wall mounted only, either vertically or horizontally.
- This product can mount to either a 4" square electrical box with round plaster ring or an octagon electrical box.
- Only the GARBO-W-25-F1D- models are dimmable with a standard incandescent dimmer. The GARBO-W-25-F1- models are not dimmable.

SAVE THESE INSTRUCTIONS!

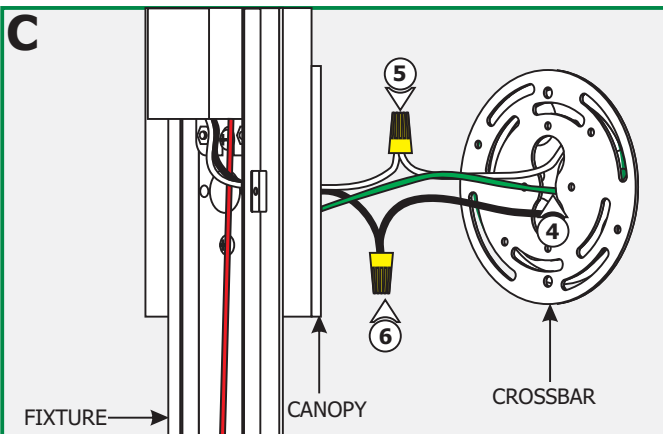
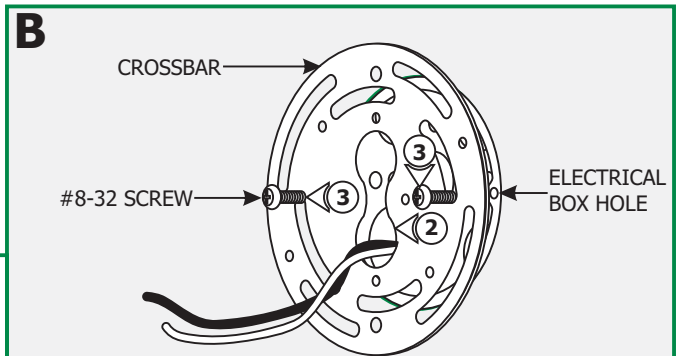


Install the Fixture

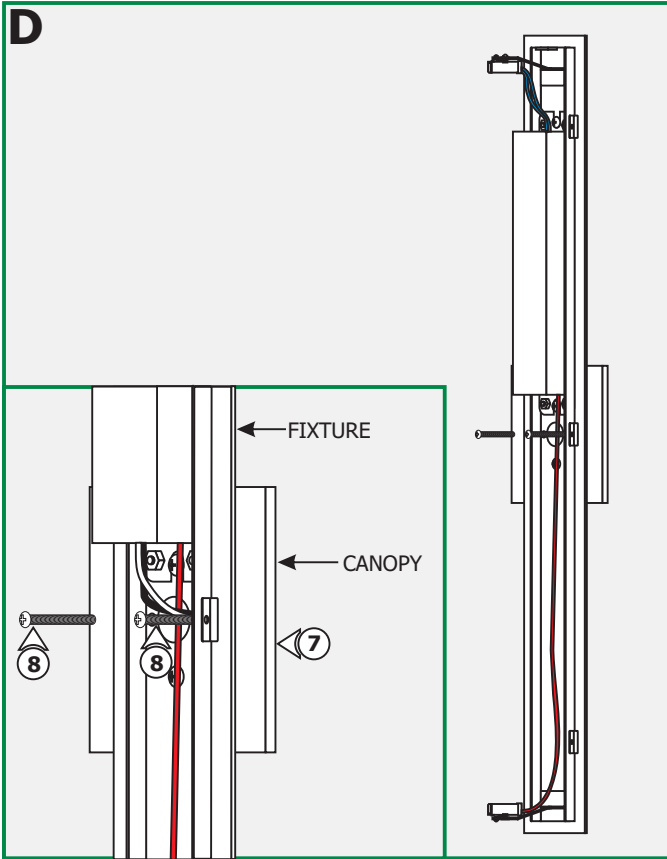


- 1:** Loosen and remove the two Phillips screws in the center of the fixture to remove the crossbar.

- 2:** Feed the power wires through the crossbar center cutout.
3: Mount the crossbar to the electrical box holes with the provided #8-32 screws.



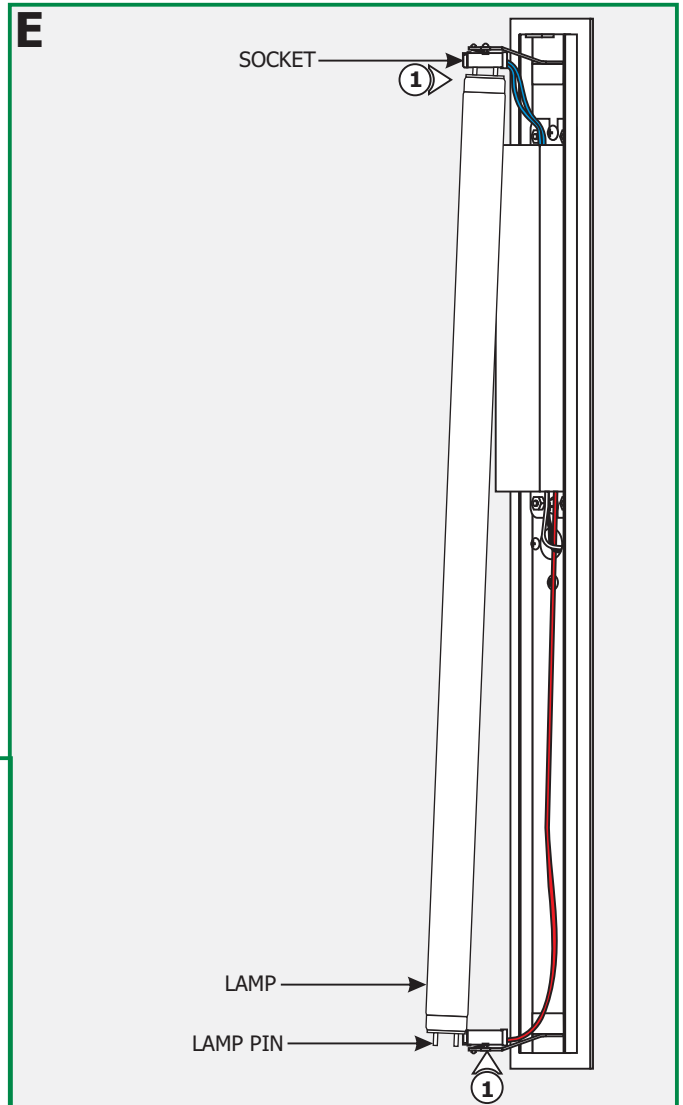
- 4:** Make sure that the crossbar is grounded in accordance with local electrical codes.
5: While holding the fixture, connect the white fixture wire to the neutral power wire with a wire nut.
6: Connect the black fixture wire to the hot power wire with a wire nut.



7: Place all wires and wire nut connections properly inside the electrical box.

8: Align and insert the two #8-32 screws through the fixture screw holes into the crossbar inner threaded holes. Tighten the two #8-32 screws to secure the fixture in place.

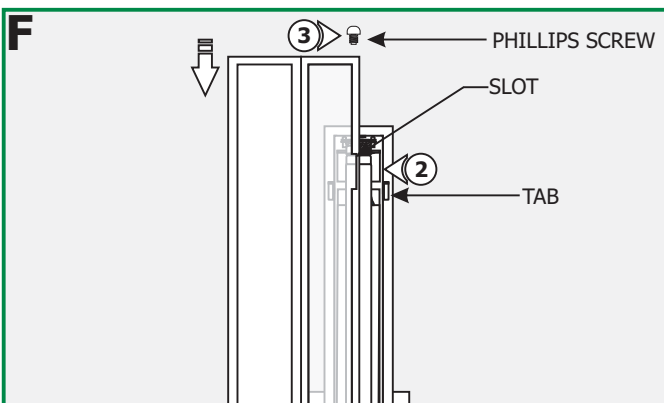
Install the Lamp and Shade



CAUTION: To reduce risk of a burn or electrical shock during lamping, disconnect the power to the fixture.

Use **MAX 17** Watt Type T8, Compact Fluorescent Lamp.

1: Push one side of the lamp into one socket by sliding the lamp pins completely into the socket slot, and then insert the other side to the other socket. Secure lamp in place by turning clockwise.



2: Align the glass shade slots with the fixture tabs. Push the glass shade onto the fixture and slide it to lock in place.

3: Secure the glass shade to the fixture by tightening the Phillips screw.