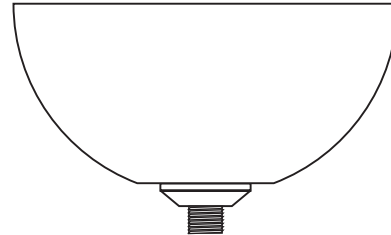


Installation Instructions for 4" Surface Mount Fast Jack LED Power Canopy

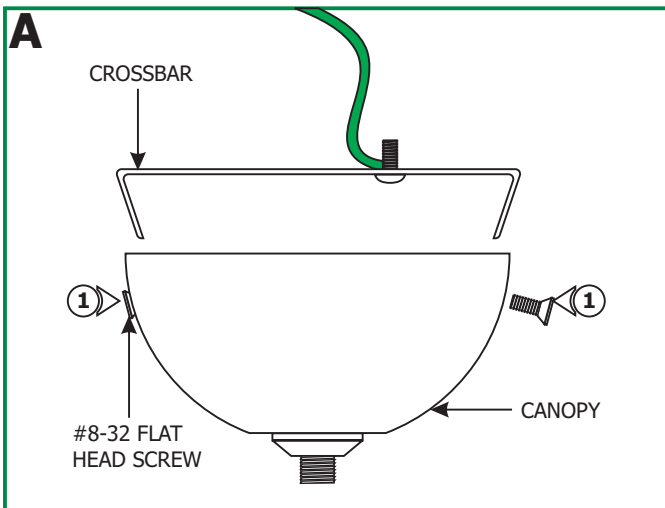
IMPORTANT INFORMATION

- This product is ETL listed for indoor dry locations.
- This product can be installed to a 4" electrical box with round plaster ring, or to an octagon electrical box.
- Minimum electrical box volume must be 6 cubic inches (98 cubic centimeters).
- For dimming information visit www.edgelighting.com.
- This product can be used with LED or halogen Fast Jack fixtures.

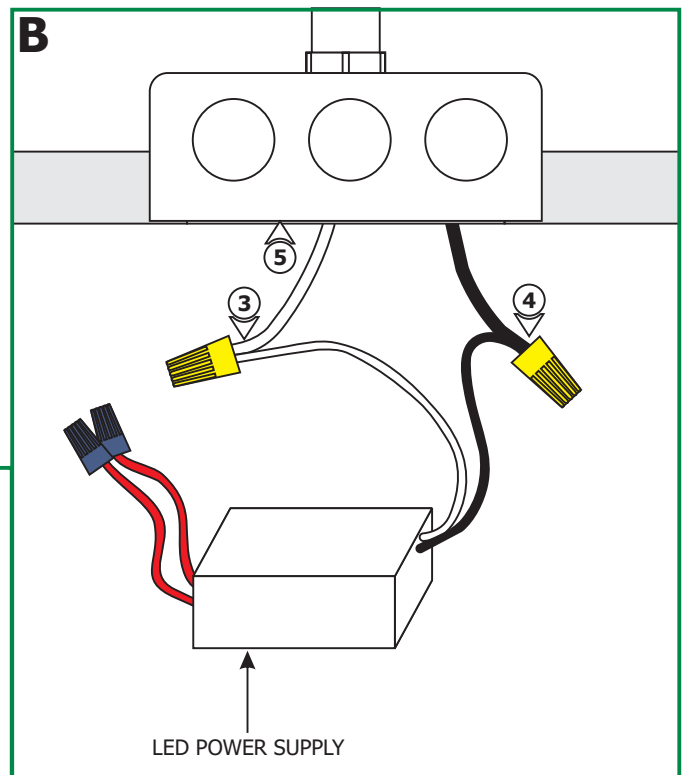
SAVE THESE INSTRUCTIONS!



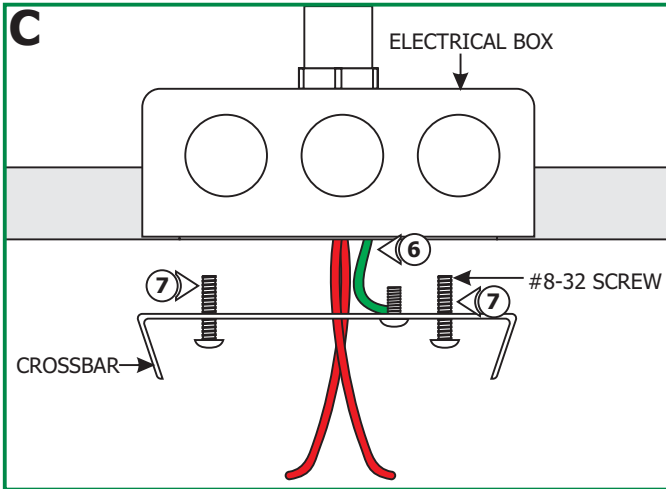
Install the Canopy



1: Loosen and remove the two #8-32 flat head screws from the canopy to remove the crossbar.

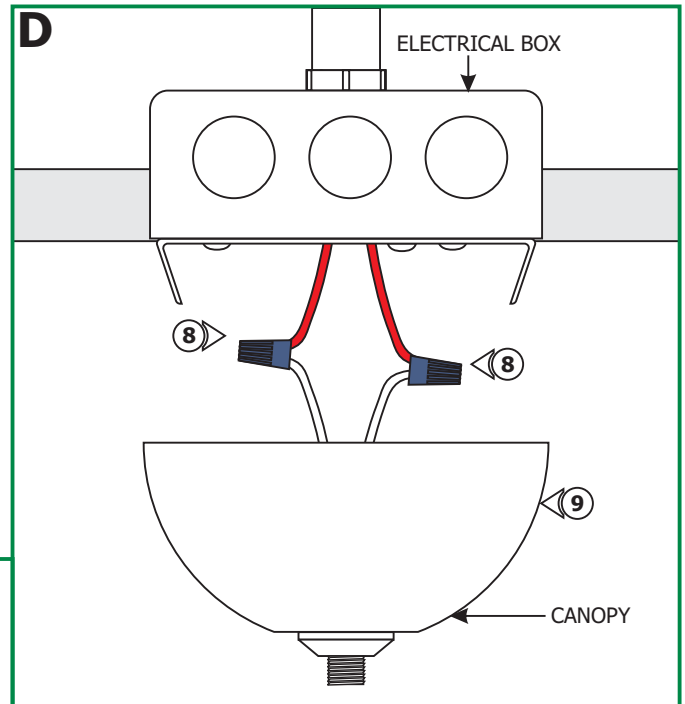


- 2:** Turn the power to electrical box off.
- 3:** Connect the white LED power supply wire to the neutral power wire with a wire nut.
- 4:** Connect the black LED power supply wire to the hot power wire with a wire nut.
- 5:** Place the LED power supply and wires inside the electrical box.



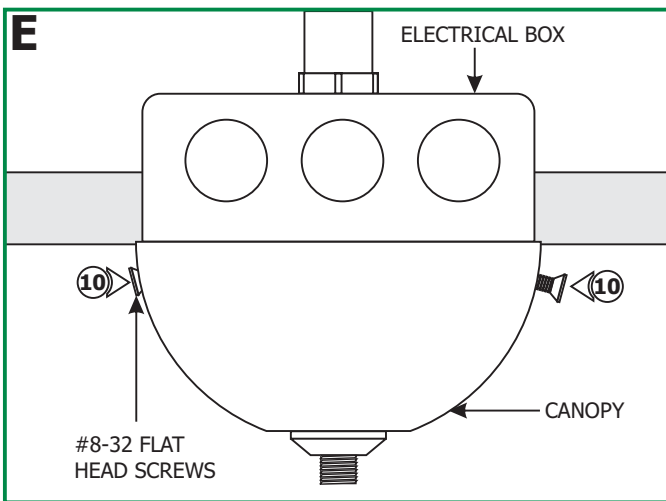
6: Make sure the crossbar is grounded in accordance with local electrical codes.

7: Mount the crossbar to the electrical box with the two #8-32 screws provided.



8: Connect each canopy wire to one LED power supply low voltage wire with a wire nut.

9: Place all wires inside the canopy.



10: Align and secure the canopy to the crossbar by tightening the two provided #8-32 flat head screws.

CAUTION: Risk of Fire: MAX load of Fast Jack LED canopy is 60 watt.

11: Use fingers to tighten the Fast Jack fixture connector into the Fast Jack canopy connector.

