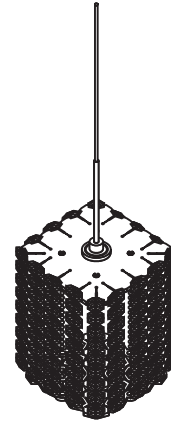


Installation Instructions for **Fast Jack Refrax™ Square 5" X 5"**

IMPORTANT SAFETY INSTRUCTIONS

To reduce the risk of fire, electrical shock, exposure to excessive UV radiation, or injury to persons:

- Use this fixture indoors only.
- Do not look directly at the lamp while the fixture is on.
- **RISK OF FIRE:** Use only the type of lamp and maximum wattage indicated in this instruction manual.
- Never cover the halogen lamp with anything other than a lamp shield provided by Edge Lighting and never place flammable material close to the fixture.
- Never turn the fixture on and off by connecting and disconnecting the halogen lamp.
- Do not touch the fixture head, shade or lamp shield while the fixture is on. These surfaces may be **VERY HOT**.
- Do not touch lamp at anytime. Use a soft cloth instead as oil from skin may damage lamp.
- It is normal for a new halogen lamp to produce minor smoke when first turned on.
- Do not operate the luminaire with a missing or damaged shield.
- Turn power off and allow to cool before replacing lamp.

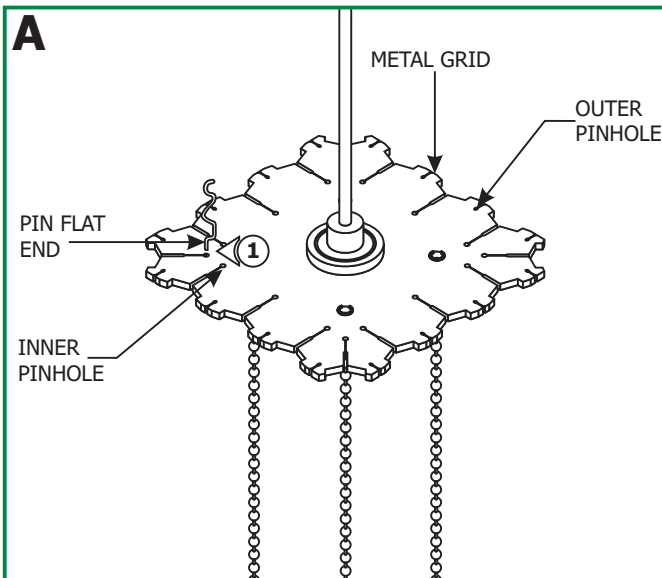


IMPORTANT INFORMATION

- This product is ETL listed for indoor dry locations and approved to be used at any height above the finished floor.

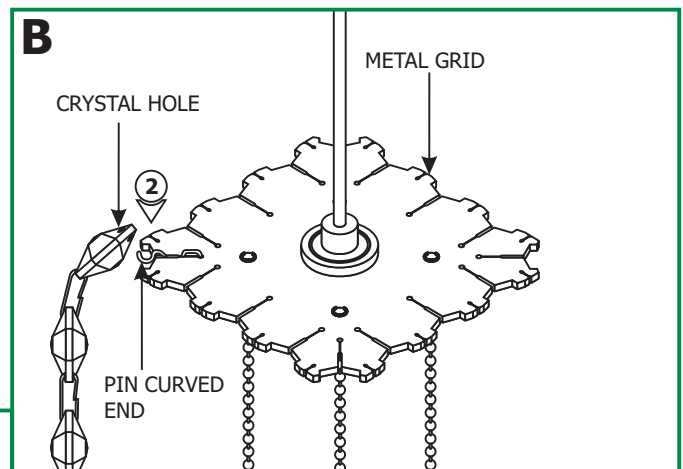
SAVE THESE INSTRUCTIONS!

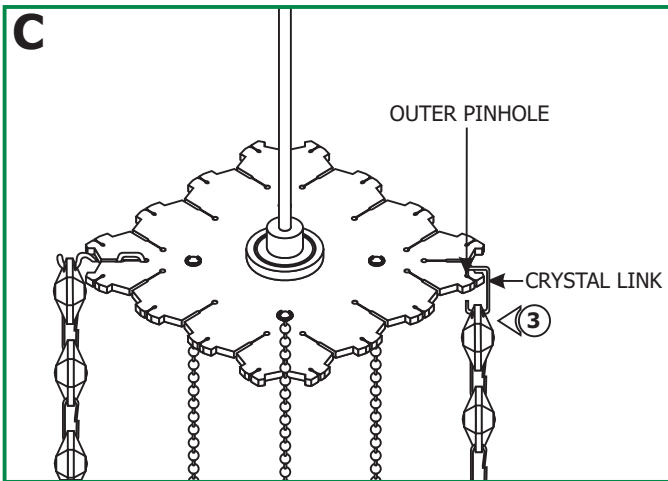
Crystal Orientation and Lamp Installation



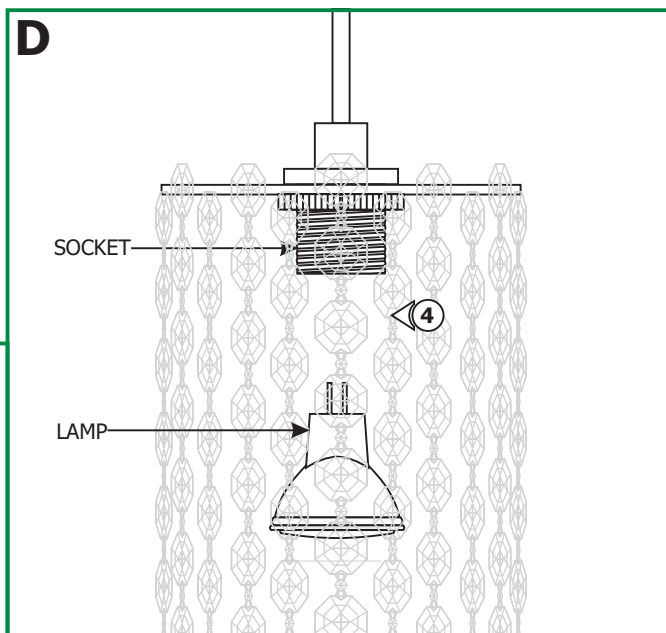
- 1:** For the inner pinholes, insert the flat end of each pin into one inner pinhole and rotate it against the metal grid until it lays flat.

- 2:** Place each crystal string by hooking the crystal hole onto the pin curved end.





3: For the outer pinholes, hook each crystal string using the crystal link into the outer pinhole.



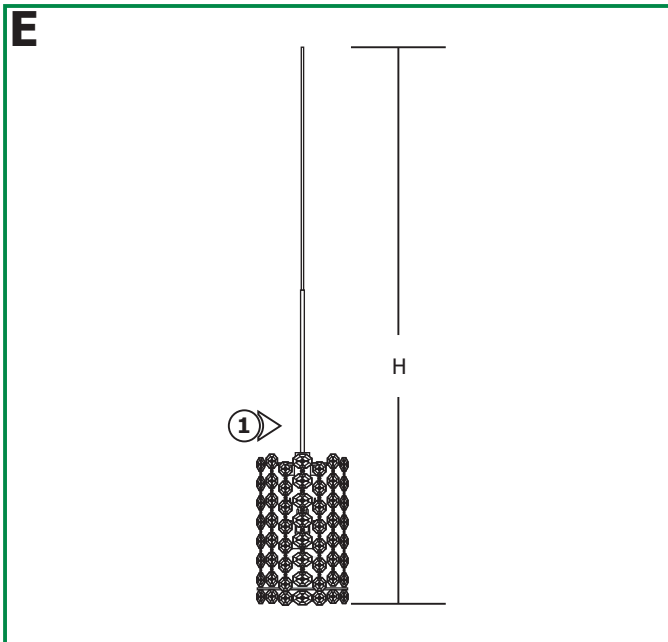
CAUTION: To reduce risk of a burn or electrical shock during lamping, disconnect the power to the fixture.

Use **MAX 35** Watt, Type MR11 Front Glass Cover Halogen Lamp.



4: Push the lamp pins completely into the socket holes.

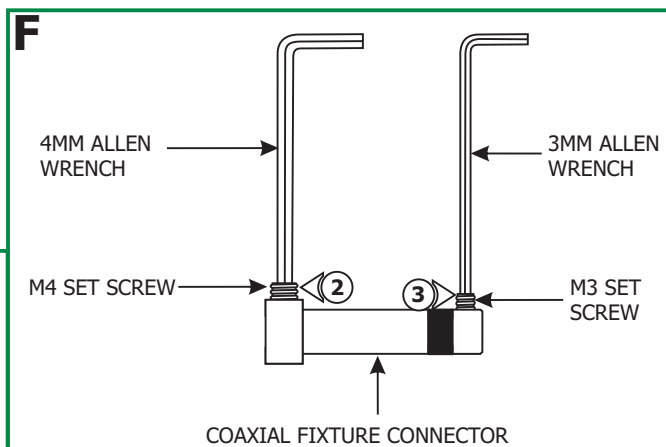
Adjust the Fixture Height

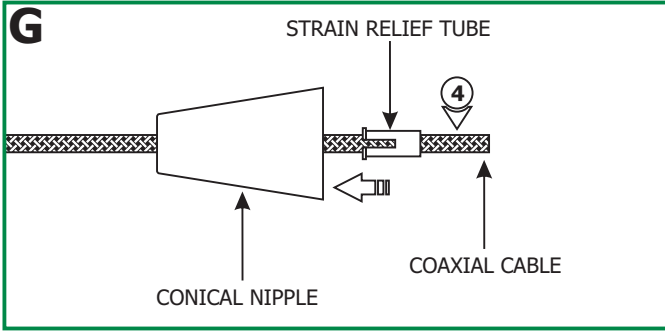


1: Cut the coaxial cable to the desired length (H) with a sharp cutter. The overall fixture height is measured from the bottom of the crystal strings to the end of the coaxial cable.

2: Loosen the M4 set screw on base of the coaxial fixture connector with the 4mm Allen wrench provided. **Do not remove this set screw.**

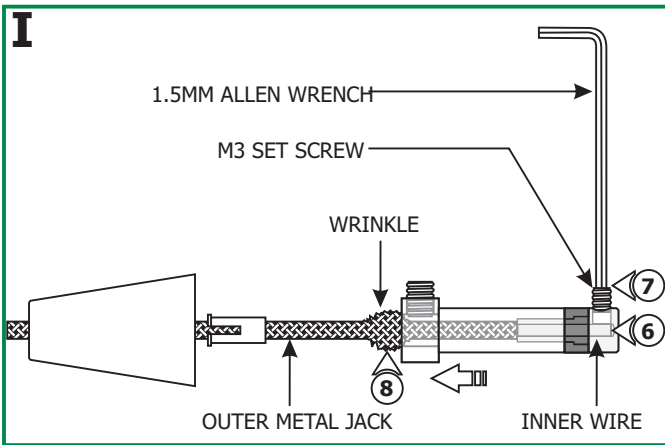
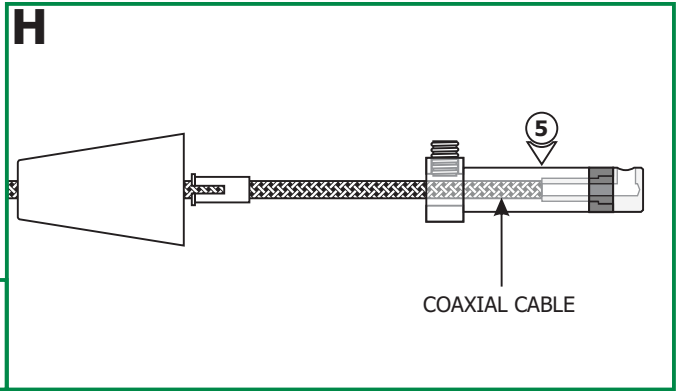
3: Remove the M3 set screw on tip of the connector with the 3mm Allen wrench provided.





4: Feed the coaxial cable through the conical nipple and flared side of the strain relief tube. Slide the conical nipple and strain relief tube down the coaxial cable.

5: Feed the coaxial cable into the coaxial fixture connector. The coaxial cable will come to a stop point.



6: Keep feeding the coaxial cable in until the inner wire is visible in the screw hole of the fixture connector tip. The outer metal jacket will start to wrinkle.

7: Hold the fixture connector in place. Replace and tighten the M3 set screw on fixture connector tip with the 1.5mm Allen wrench.

8: Pull down the outer metal jacket to smooth the wrinkles.

9: Push the strain relief tube completely into the coaxial fixture connector. Make sure the slot on the strain relief tube is not inline with the M4 set screw.

10: Tighten the M4 set screw with the 2mm Allen wrench.

