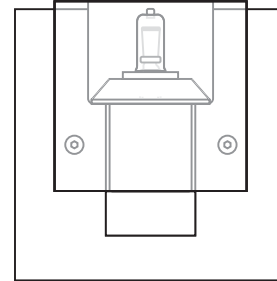


Installation Instructions for **Cube Crystal**

IMPORTANT SAFETY INSTRUCTIONS

To reduce the risk of fire, electrical shock, exposure to excessive UV radiation, or injury to persons:

- Use this fixture indoors only.
- Do not look directly at the lamp while the fixture is on.
- **RISK OF FIRE:** Use only the type of lamp and maximum wattage indicated in this instruction manual.
- Never cover the halogen lamp with anything other than a lamp shield provided by Edge Lighting and never place flammable material close to the fixture.
- Never turn the fixture on and off by connecting and disconnecting the halogen lamp.
- Do not touch the fixture head, shade or lamp shield while the fixture is on. These surfaces may be **VERY HOT**.
- Do not touch lamp at anytime. Use a soft cloth instead as oil from skin may damage lamp.
- It is normal for a new halogen lamp to produce minor smoke when first turned on.
- Turn power off and allow to cool before replacing lamp.

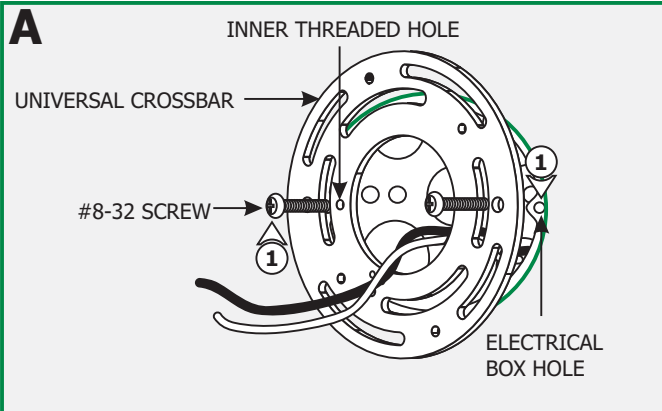


IMPORTANT INFORMATION

- This product is ETL listed for indoor dry locations.
- This product is wall mounted only and it should be installed as an up light (lamp facing up).
- This product can mount to either a 4" square electrical box with round plaster ring or an octagon electrical box.
- This product can be dimmed with a standard incandescent dimmer.

SAVE THESE INSTRUCTIONS!

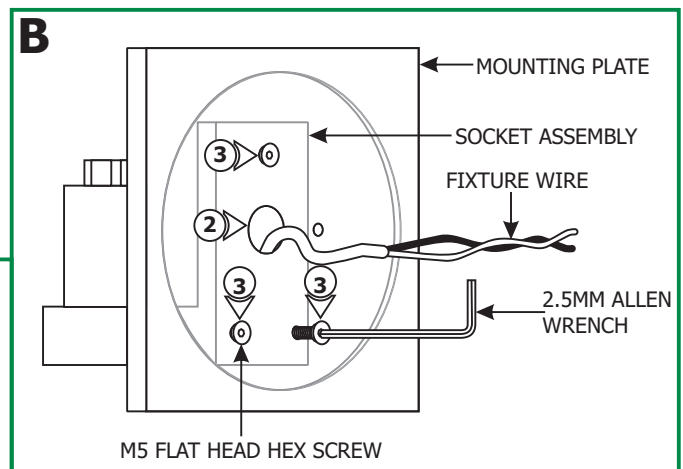
Install the Fixture

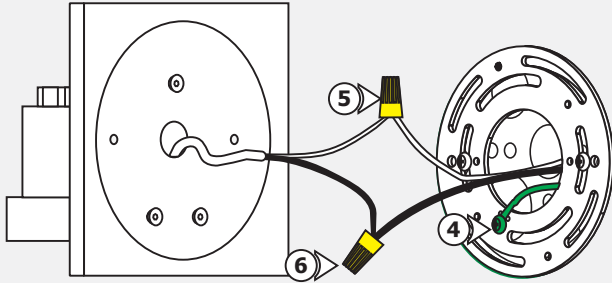


- 1:** Mount the universal crossbar to the electrical box holes with the provided #8-32 screws so that the two inner threaded holes (spaced 2-1/8" apart) on crossbar are leveled horizontally.

- 2:** Feed the fixture wires of the socket assembly through the center hole of the mounting plate.

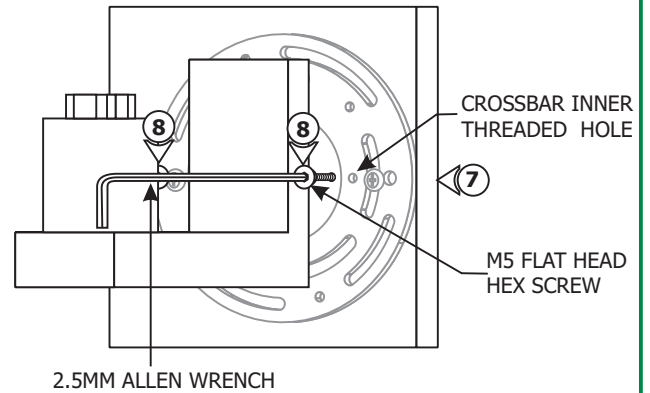
- 3:** Secure the socket assembly to the mounting plate by tightening the three M5 flat head hex screws with the 2.5MM provided Allen wrench.



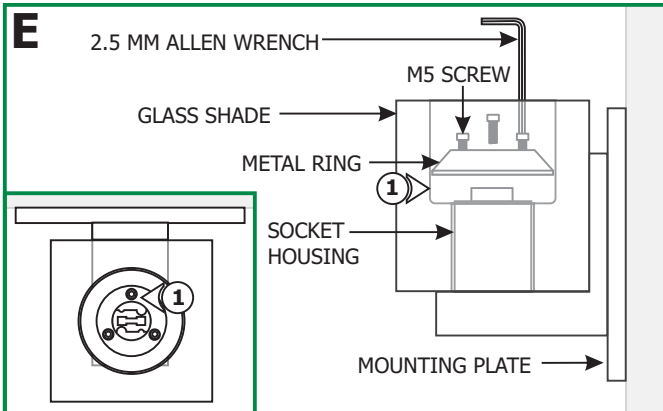
C

- 4:** Make sure that the crossbar is grounded in accordance with local electrical codes.
- 5:** Connect the white fixture wire to the neutral power wire with a wire nut.
- 6:** Connect the black fixture wire to the hot power wire with a wire nut.

- 7:** Place all wires and wire nut connections properly inside the electrical box.
- 8:** Align the two mounting plate holes with the crossbar inner threaded holes and secure the mounting plate in place by tightening the two M5 flat head hex screws with the 2.5MM Allen wrench.

D

Install the Lamp and Glass Shade

E

- 1:** Place the glass shade and metal ring onto the socket housing. Align the metal ring holes with the socket housing holes and secure it in place by tightening the three M5 screws with the 2.5 MM Allen wrench.

CAUTION: To reduce risk of a burn or electrical shock during lamping, disconnect the power to the fixture.

NOTE: The G9 lamp has an integral glass envelope and is thus safe to be used without a lamp shield.

NOTE: Use only fingers and a soft cloth to install the lamps.

Use **MAX** 40 Watt Type T4, G9 Base, Bi-Pin Halogen Lamp.



- 2:** Push the lamp pins completely into the socket holes.

F