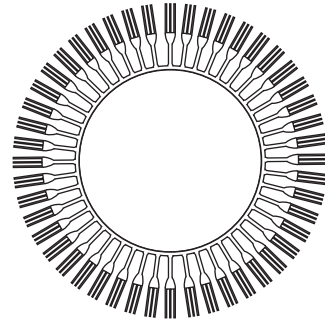


## Installation Instructions for **Burst**

### IMPORTANT SAFETY INSTRUCTIONS

To reduce the risk of fire, electrical shock, exposure to excessive UV radiation, or injury to persons:

- Use this fixture indoors only.
- Do not look directly at the lamp while the fixture is on.
- **RISK OF FIRE:** Use only the type of lamp and maximum wattage indicated in this instruction manual.
- Never cover the halogen lamp with anything other than a lamp shield provided by Edge Lighting and never place flammable material close to the fixture.
- Never turn the fixture on and off by connecting and disconnecting the halogen lamp.
- Do not touch the fixture head, shade or lamp shield while the fixture is on. These surfaces may be **VERY HOT**.
- Do not touch lamp at anytime. Use a soft cloth. Oil from skin may damage lamp.
- It is normal for a new halogen lamp to produce minor smoke when first turned on.
- Do not operate the luminaire with a missing or damaged shield.
- Turn power off and allow to cool before replacing lamp.



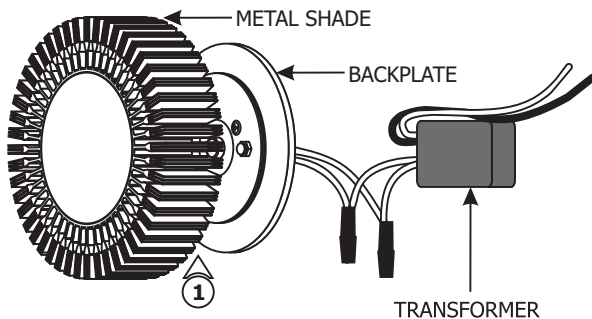
### IMPORTANT INFORMATION

- This product is ETL listed for indoor locations.
- This product is for ceiling and wall applications.
- This product can mount to either a 4" square electrical box with round plaster ring or an octagon electrical box.
- This product can be dimmed with a low voltage electronic dimmer.

**SAVE THESE INSTRUCTIONS!**

## Install the Fixture

**A**

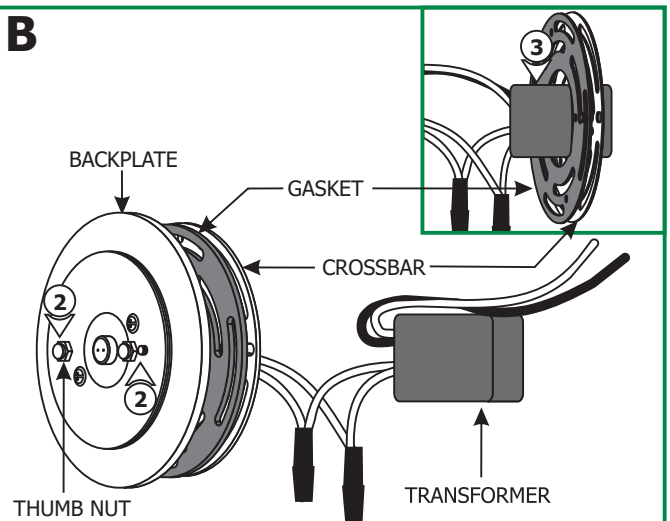


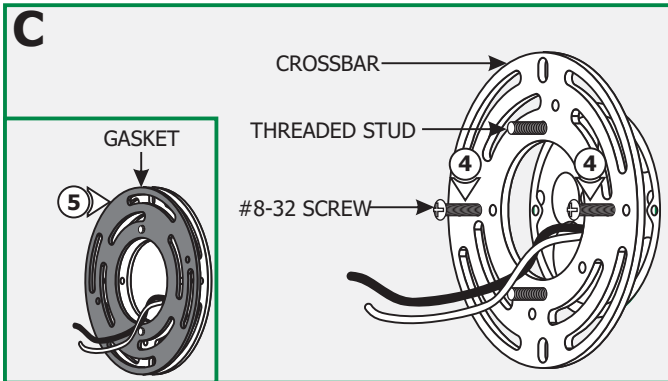
**1:** Remove the metal shade from the backplate by unscrewing it counter clockwise.

**2:** Loosen and remove the two thumb nuts on the backplate.

**3:** Carefully slide out the crossbar and gasket off the backplate and transformer.

**B**

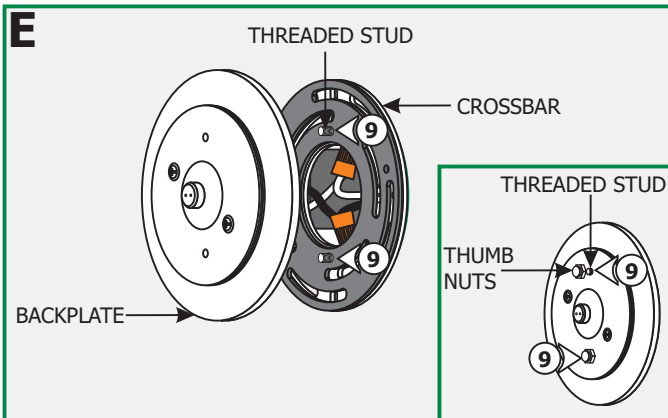
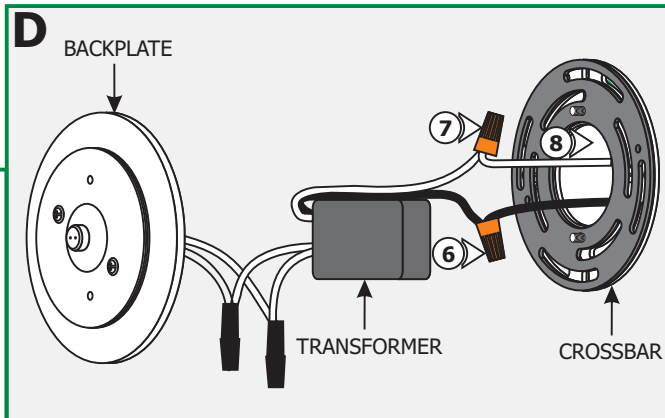




**4:** Mount the crossbar to the electrical box holes with the provided #8-32 screws. Make sure that the crossbar is grounded in accordance with local codes.

**5:** Place the gasket on the crossbar threaded studs.

- 6:** Connect the white transformer wire to the neutral power wire with a wire nut.
- 7:** Connect the black transformer wire to the hot power wire with a wire nut.
- 8:** Place the transformer and wire nut connections inside the electrical box.



**9:** Align and mount the backplate holes onto the crossbar threaded studs. Secure the backplate in place by tightening the two thumb nuts.

## Install the Lamp & Metal Shade

**CAUTION:** To reduce risk of a burn or electrical shock during lamping, disconnect the power to the fixture.

**NOTE:** Use only fingers and a soft cloth to install the lamps.

Use **MAX 20** Watt Bi-Pin Halogen Lamp.



- 1:** Push the lamp pins completely into the socket holes.
- 2:** Screw the metal shade completely to the backplate clockwise to secure in place.

