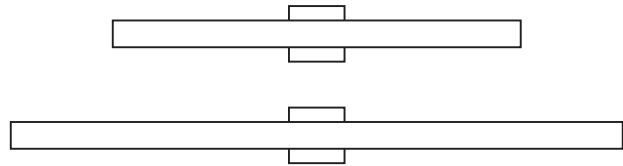


Installation Instructions for Alpha 32 & 48 (Halogen Version)

IMPORTANT SAFETY INSTRUCTIONS

To reduce the risk of fire, electrical shock, exposure to excessive UV radiation, or injury to persons:

- Use this fixture indoors only.
- Do not look directly at the lamp while the fixture is on.
- **RISK OF FIRE:** Use only the type of lamp and maximum wattage indicated in this instruction manual.
- Never cover the halogen lamp with anything other than a lamp shield provided by Edge Lighting and never place flammable material close to the fixture.
- Never turn the fixture on and off by connecting and disconnecting the halogen lamp.
- Do not touch the fixture head, shade or lamp shield while the fixture is on. These surfaces may be **VERY HOT**.
- Do not touch lamp at anytime. Use a soft cloth instead as oil from skin may damage lamp.
- It is normal for a new halogen lamp to produce minor smoke when first turned on.
- Turn power off and allow to cool before replacing lamp.

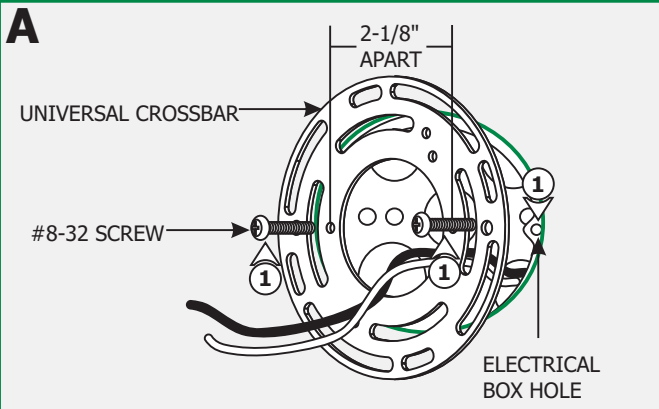


IMPORTANT INFORMATION

- This product is ETL listed for indoor dry locations.
- This product is wall mounted only.
- This product can mount to either a 4" square electrical box with round plaster ring or an octagon electrical box.
- This product can be dimmed with a standard incandescent dimmer.

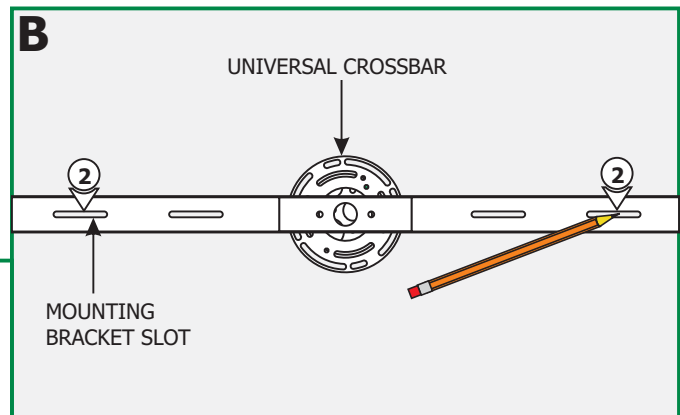
SAVE THESE INSTRUCTIONS!

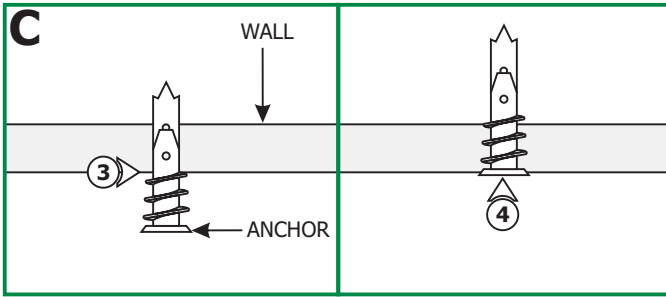
Install the Fixture



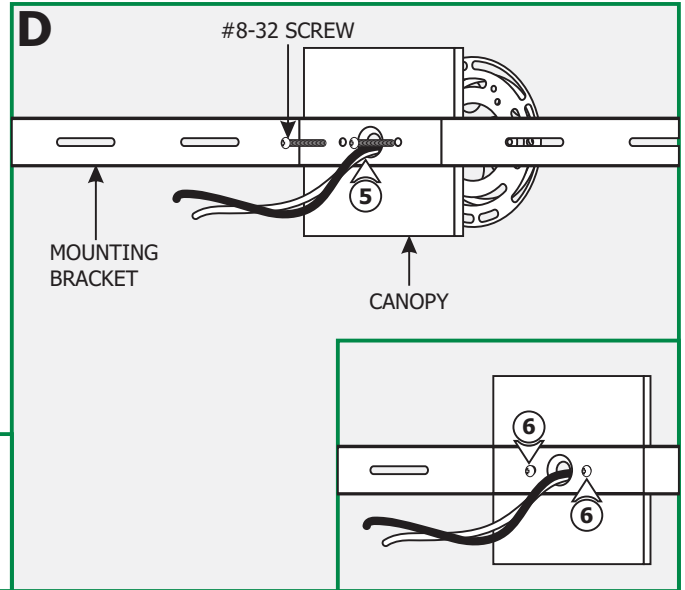
1: Mount the universal crossbar to the electrical box holes with the provided #8-32 screws so that the two inner threaded holes (spaced 2-1/8" apart) on crossbar are leveled horizontally.

2: Align the mounting bracket center holes (spaced 2-1/8" apart) with the crossbar inner threaded holes (spaced 2-1/8" apart). Level the mounting bracket horizontally and mark a point on each side of the mounting bracket slots. These points are for the anchors.

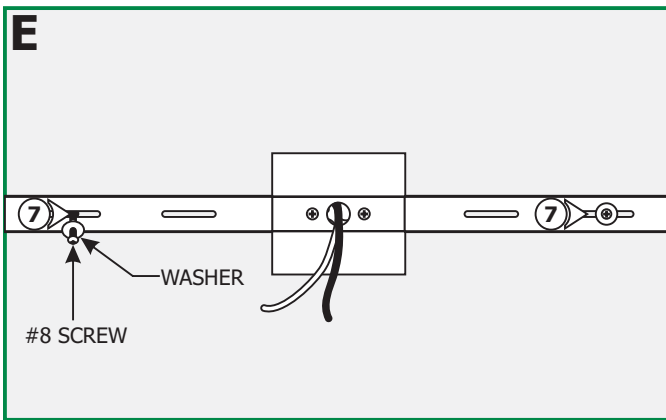




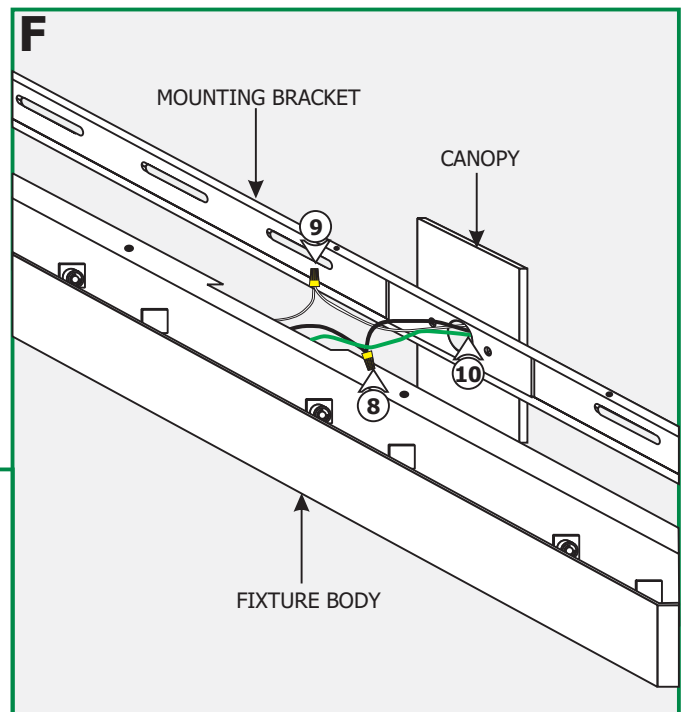
- 3:** Tap the anchors onto the marked points up to the threaded portion with a hammer.
- 4:** Screw in the threaded portion of the anchors with a Phillips screwdriver.



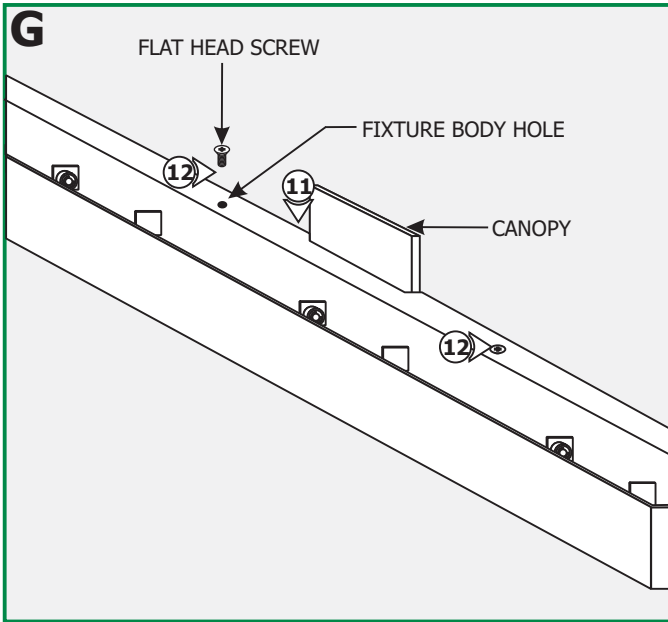
- 5:** Feed the power wires through the canopy center hole.
- 6:** Secure the canopy and mounting bracket to the crossbar by tightening the two #8-32 screws provided to the two inner threaded holes (spaced 2-1/8" apart).



- 7:** Use the #8 screws and washers to secure the mounting bracket to the anchors. This will prevent the fixture from tilting.



- 8:** Make sure that the fixture is grounded in accordance with local electrical codes.
- 9:** Connect the white fixture wire to the neutral power wire with a wire nut.
- 10:** Connect the black fixture wire to the hot power wire with a wire nut.



11: Place all wires and wire nut connections inside the fixture body.

12: Align the fixture body holes to the mounting bracket holes and secure it with the two flat head screws.

CAUTION: To reduce risk of a burn or electrical shock during lamping, disconnect the power to the fixture.

NOTE: Use only fingers and a soft cloth to install the lamp.

Use **MAX 75** Watt Type T3-78mm, Double End Halogen Lamp For Each Socket.



13: Place one end of the lamp onto one socket pin, while pushing the lamp against that socket pin slide the other end onto the other socket pin. Repeat this step for the remaining sockets.

14: Loosen the screws on the spring clips and insert the glass cover under the spring clips and slightly tighten the spring clip screws to secure glass cover in place.

