

Remote "T" type Magnetic Transformers are hidden from view in a closet or attic within 20 ft of the electrical junction box and power feed canopy.



T-4X300-12
1200W 12V MAGNETIC
LOW VOLTAGE
TRANSFORMER

Easy 2 Circuit Monorail Kit
ordering code

T-4X300-D12-K32-SN
Kit includes 1200 watt Remote
Transformer, Power Canopy, 32'
of 2 Circuit Rail and 1" Standoffs.

Just add:

"L" Connectors

(2) **M2C-LC-SN** Phi fixture

Up to (24) **M2-PHI-3-SN** Lamps

Up to (24) 50 watt MR16



**TWO 120V SWITCHES
OR MAGNETIC LOW
VOLTAGE DIMMERS**





Use Two Circuit Handbendable Monorail when a higher wattage is desired (600-1200 watts per canopy), or when two circuit control is required. Dim or switch two zones of lights separately on the same rail.



Create layers of light by controlling pendant & fixture heads at independent dimming levels with Monorail 2 Circuit.

MONORAIL 2 CIRCUIT KITS | REMOTE MAGNETIC

Easy-to-use kits combine everything needed for a complete Monorail 2 Circuit system.

Kits include transformer, power feed canopy, hand-bendable rail, standoffs, connectors and end caps— just add fixtures.

For additional kit versions, such as sloped ceiling or extended-from-ceiling, visit www.edgelighting.com.

STANDARD MONORAIL 2 CIRCUIT REMOTE MAGNETIC KIT

Select the desired voltage/wattage of transformer, length of Monorail 2 Circuit and finish. See p. 74 for additional transformer information. Monorail 2 Circuit LED is not dimmable.



REMOTE MAGNETIC TRANSFORMER POWER/VOLTAGE OUTPUT	POWER FEED CANOPY	MONORAIL	1" STANDOFFS	END CAPS
2x300 600 Watt, 12 Volt Single Feed	4" Round Single Feed	Available in lengths 4' (1.2m), 8' (2.4m), 12' (3.7m), 16' (4.9m), 20' (6.1m), 24' (7.3m), 28' (8.5m), 32' (9.8m), 40' (12.2m) or 48' (14.6m)	Appropriate quantities of 1" Rigid Standoffs provided	2 sets
4x300 1200 Watt, 12 Volt Dual Feed	4" Round Dual Feed (see photo on page 75)			

ORDERING CODE	SYSTEM	POWER / VOLTAGE OUTPUT	MONORAIL LENGTH	FINISH	VOLTAGE INPUT
T	T Transformer Magnetic	2X300 - 12 2X300-12 600 Watt 12 Volt 4X300-D12 1200 Watt 12 Volt Dual Feed	K4 K4 Kit with 4' Monorail 2 Circuit K2X4 Kit with two 4' Monorail 2 Circuit K8 Kit with 8' Monorail 2 Circuit K12 Kit with 12' Monorail 2 Circuit K16 Kit with 16' Monorail 2 Circuit K20 Kit with 20' Monorail 2 Circuit K24 Kit with 24' Monorail 2 Circuit K28 Kit with 28' Monorail 2 Circuit K32 Kit with 32' Monorail 2 Circuit K40 Kit with 40' Monorail 2 Circuit K48 Kit with 48' Monorail 2 Circuit	SN SN Satin Nickel PN Polished Nickel BZ Antique Bronze	Standard 120V (leave blank) 2 230V 50Hz 3 277V 60Hz

MONORAIL 2 CIRCUIT KITS | SURFACE MOUNT MAGNETIC

Easy-to-use kits combine everything needed for a complete Monorail 2 Circuit system.

Kits include surface mount transformer, rail, standoffs, connectors and end caps – just add fixtures.

For additional kit versions, such as sloped ceiling or extended-from-ceiling, visit www.edgelighting.com.

STANDARD MONORAIL 2 CIRCUIT SURFACE MOUNT MAGNETIC KIT

Select the desired voltage/wattage of transformer, length of Monorail 2 Circuit and finish. See p. 76 for additional transformer information. Monorail 2 Circuit LED is not dimmable.



SURFACE MOUNT MAGNETIC TRANSFORMER POWER/VOLTAGE OUTPUT	MONORAIL	1" STANDOFFS	END CAPS
2x150 300 Watt, 12 Volt	Available in lengths 4' (1.2m), 8' (2.4m), 12' (3.7m), 16' (4.9m), 20' (6.1m), 24' (7.3m), 28' (8.5m), 32' (9.8m), 40' (12.2m) or 48' (14.6m)	Appropriate quantities of 1" Rigid Standoffs provided	2 sets
2x250 500 Watt, 12 Volt			

ORDERING CODE	SYSTEM	POWER / VOLTAGE OUTPUT	MONORAIL LENGTH	FINISH
M2T	M2T Monorail 2 Circuit Transformer Surface Mount Magnetic	2X150 - 12 2X150-12 300 Watt 12 Volt 2X250-12 500 Watt 12 Volt	K4 K4 Kit with 4' Monorail 2 Circuit K2X4 Kit with two 4' Monorail 2 Circuit K8 Kit with 8' Monorail 2 Circuit K12 Kit with 12' Monorail 2 Circuit K16 Kit with 16' Monorail 2 Circuit K20 Kit with 20' Monorail 2 Circuit K24 Kit with 24' Monorail 2 Circuit K28 Kit with 28' Monorail 2 Circuit K32 Kit with 32' Monorail 2 Circuit K40 Kit with 40' Monorail 2 Circuit K48 Kit with 48' Monorail 2 Circuit	SN SN Satin Nickel PN Polished Nickel BZ Antique Bronze

MONORAIL 2 CIRCUIT FIXTURE HEADS

All Monorail 2 Circuit Fixture Heads start with the system ordering code **M2** and come with Monorail 2 Circuit Connectors.



LED

 <p>M2 SCOPE LED Max 9W p. 17</p>	 <p>M2 CODY LED Max 7.8W p. 19</p>	 <p>M2 ATLAS LED Max 19W p. 21</p>	 <p>M2 NAUTILUS WALL WASH LED Max. 34W p. 23</p>	
PRO AIM				
 <p>M2 NEO Pro Aim Max. 50W IR p. 33</p>	 <p>M2 ADAM Pro Aim Max. 50W IR p. 29</p>	 <p>M2 BOX Pro Aim Max. 50W IR p. 31</p>	 <p>M2 PHI Pro Aim Max. 50W IR p. 27</p>	 <p>M2 GOBO PHI Pro Aim Max. 50W IR pp. 27, 195</p>
STANDARD				
 <p>M2 REBEL Max. 50W IR p. 35</p>	 <p>M2 CHOPPER Max. 75W p. 49</p>	 <p>M2 FORM Round Max. 75W p. 37</p>	 <p>M2 FORM 2-HEAD Square Max. 2x37W IR p. 39</p>	 <p>M2 FUNCTION Round Max. 75W p. 40</p>
STANDARD				
 <p>M2 LOW RIDER Max. 50W IR p. 44</p>	 <p>M2 TRIUMPH Max. 50W p. 43</p>	 <p>M2 HARLEY Max. 75W p. 41</p>	 <p>M2 SPIRIT Max. 50W IR p. 46</p>	 <p>M2 GOBO HARLEY Max. 75W pp. 41, 193</p>


Each fixture head comes with a Fast Jack Connector 

MONORAIL 2 CIRCUIT PENDANTS

All Monorail 2 Circuit Pendants start with the system ordering code **M2** and come with Monorail 2 Circuit Connectors. 

Monorail 2 Circuit

				
M2 SCOPE LED 9W p. 97	M2 SCOPE LED WITH CRYSTALS 9W p. 97	M2 ALPS 35W p. 98	M2 EVEREST 35W p. 99	
				
M2 DARK NIGHT 35W pp. 102	M2 TOWER OF LOVE "SATIN" 35W p. 100	M2 TOWER OF CRYSTAL LOVE 35W p. 100	M2 TOWER OF LOVE SHATTERED 35W p. 101	
				
M2 DROP 20W p. 107	M2 BLOOM 20W p. 107	M2 CRYSTAL SPIRIT 10" 50W p. 109	M2 BUBBLE BALL 20W p. 108	M2 ICE 35W p. 98
				
M2 CROSSROADS 50W p. 103	M2 KINGS CROSSING 50W p. 103	M2 MATA HARI 50W p. 105	M2 OUTLAW 20W p. 106	M2 ZZZ LAMP 20W p. 106

Each pendant comes with a Fast Jack Connector 



Monorail 2 Circuit KIT **T-2X300-12-K8-SN** p. 67
(2) Low Rider with S1 Shade p. 44
(3) Tower of Crystal Love p. 100

MONORAIL 2 CIRCUIT BASICS

Monorail 2 Circuit features two independently controllable circuits on the same run. Separate dimming controls allow the creation of multiple lighting schemes on a hand-bendable rail.

MONORAIL 2 CIRCUIT

Monorail 2 Circuit is available in straight or pre-bent sections.

Straight rail is hand-bendable and can be cut on location to create custom shapes.

The rail is rated for a maximum of two 25 amp circuits (300 watts each) at 12 volts.

Satin Nickel (actual size)



Polished Nickel (actual size)



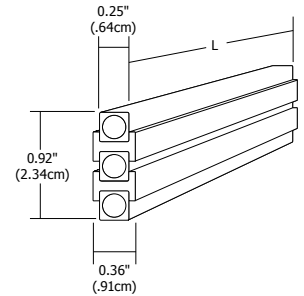
Antique Bronze (actual size)



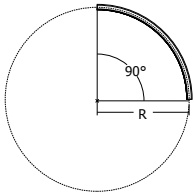
STRAIGHT MONORAIL 2 CIRCUIT

Straight Monorail 2 Circuit is available in 24" (61cm), 48" (122cm) or 96" (244cm) lengths. A set of conductive connectors is included with each piece to connect other Monorail 2 Circuit sections. Additional connectors are required if cutting and rejoining rail (see p. 72 for available connectors).

ORDERING CODE	SYSTEM	LENGTH (L)	FINISH
M2	M2	24	SN
M2 Monorail 2 Circuit		24 24" 48 48" 96 96"	SN Satin Nickel PN Polished Nickel BZ Antique Bronze



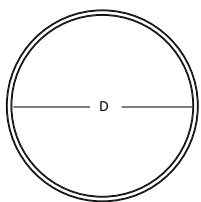
Monorail 2 Circuit Overall Dimensions



90° CURVE

Monorail 2 Circuit pre-bent 90° Curve is available in radiuses of 12" (31cm), 24" (61cm), 36" (91cm), 48" (122cm) or 60" (152cm). A set of conductive connectors is included with each piece to connect other Monorail 2 Circuit sections.

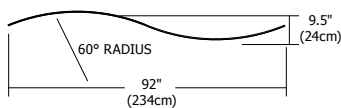
ORDERING CODE	SYSTEM	RADIUS (R)	FINISH
M2	M2	12R	SN
M2 Monorail 2 Circuit		12R 12" Radius 48R 48" Radius 24R 24" Radius 60R 60" Radius 36R 36" Radius	SN Satin Nickel PN Polished Nickel BZ Antique Bronze



CIRCLE

Monorail 2 Circuit pre-bent Circle is available in diameters of 24" (61cm), 36" (91cm), 48" (122cm), 60" (152cm), 72" (183cm), 84" (214cm), 96" (244cm), 108" (274cm) or 120" (305cm). Appropriate quantities of conductive and isolating connectors are included.

ORDERING CODE	SYSTEM	DIAMETER (D)	FINISH
M2	M2	24C	SN
M2 Monorail 2 Circuit		24C 24" Circle 60C 60" Circle 96C 96" Circle 36C 36" Circle 72C 72" Circle 108C 108" Circle 48C 48" Circle 84C 84" Circle 120C 120" Circle	SN Satin Nickel PN Polished Nickel BZ Antique Bronze



S CURVE

Monorail 2 Circuit pre-bent S Curve with 60° radius and 92" (234cm) linear length includes a set of conductive connectors and two sets of end caps.

ORDERING CODE	SYSTEM	LENGTH	FINISH
M2	M2	92S	SN
M2 Monorail 2 Circuit		92S 92" S Curve	SN Satin Nickel PN Polished Nickel BZ Antique Bronze

MONORAIL 2 CIRCUIT CONNECTORS

Connectors join two or more sections of Monorail 2 Circuit, enabling countless configurations. All conductive connectors are push-in with no tools required, creating a seamless look.

STRAIGHT CONDUCTIVE CONNECTOR



A set of Straight Conductive Connectors physically and electrically joins two Monorail 2 Circuit sections. Each section of Monorail 2 Circuit includes one set. Additional sets required when rail is cut and rejoined.

ORDERING CODE	SYSTEM	TYPE	FINISH
M2C	SC	SN	
M2C Monorail 2 Circuit Connector	SC Straight Conductive	SN Satin Nickel PN Polished Nickel BZ Antique Bronze	

STRAIGHT ISOLATING CONNECTOR



A set of translucent Straight Isolating Connectors physically joins and electrically isolates two Monorail 2 Circuit sections. All dual power feed canopies include a set of isolating connectors.

ORDERING CODE	SYSTEM	TYPE
M2C	SI	
M2C Monorail 2 Circuit Connector	SI Straight Isolating	

L-CEILING CONDUCTIVE CONNECTOR



The L-Ceiling Conductive Connector physically and electrically joins two Monorail 2 Circuit sections at 90° on a horizontal plane.

ORDERING CODE	SYSTEM	TYPE	FINISH
M2C	LC	SN	
M2C Monorail 2 Circuit Connector	LC L-Ceiling	SN Satin Nickel PN Polished Nickel BZ Antique Bronze	

T-CONDUCTIVE CONNECTOR



A set of T-Conductive Connectors physically and electrically joins three Monorail 2 Circuit sections at 90° angles.

ORDERING CODE	SYSTEM	TYPE	FINISH
M2C	TC	SN	
M2C Monorail 2 Circuit Connector	TC T-Conductive	SN Satin Nickel PN Polished Nickel BZ Antique Bronze	

X-CONDUCTIVE CONNECTOR



A set of X-Conductive Connectors physically and electrically joins four Monorail 2 Circuit sections at 90° angles.

ORDERING CODE	SYSTEM	TYPE	FINISH
M2C	XC	SN	
M2C Monorail 2 Circuit Connector	XC X-Conductive	SN Satin Nickel PN Polished Nickel BZ Antique Bronze	

FLEXIBLE CONDUCTIVE CONNECTOR



A set of Flexible Conductive Connectors physically and electrically joins two Monorail 2 Circuit sections at any angle from 45° to 180° on a horizontal plane.

ORDERING CODE	SYSTEM	TYPE	FINISH
M2C	FX	SN	
M2C Monorail 2 Circuit Connector	FX Flexible	SN Satin Nickel PN Polished Nickel BZ Antique Bronze	

ADJUSTABLE END CONNECTOR



The Adjustable End Connector electrically connects a Monorail 2 Circuit surface mount transformer to a rail end or connects two sections of Monorail 2 Circuit end-to-end. It is comprised of two Monorail 2 Circuit end connectors joined with 36" (91cm) or 96" (244cm) of clear adjustable cable.

ORDERING CODE	SYSTEM	TYPE	LENGTH	FINISH
M2C	ME	36	SN	
M2C Monorail 2 Circuit Connector	ME Adjustable Male End	36 36" 96 96"	SN Satin Nickel PN Polished Nickel BZ Antique Bronze	

END CAPS



A set of End Caps pushes into the ends of Monorail 2 Circuit runs for a clean finished look. One set is required for each end.

ORDERING CODE	SYSTEM	TYPE	FINISH
M2C	CA	SN	
M2C Monorail 2 Circuit Connector	CA End Caps	SN Satin Nickel PN Polished Nickel BZ Antique Bronze	

MONORAIL 2 CIRCUIT STANDOFFS

Standoffs are available in rigid or adjustable versions.

Use standoffs approximately every 3' (91cm) of Monorail 2 Circuit run.

For best appearance, place standoffs near rail ends and at points where rails join together.

Use rigid standoffs for curved runs or runs with heavier fixtures.

ADJUSTABLE STANDOFF

The Adjustable Standoff provides a clean and minimal look. An integral wire grip adjusts and locks the 12' (3.65m) field-cuttable aircraft cable in place.

ORDERING CODE	SYSTEM	HEIGHT	FINISH
M2S	M2S	A	SN
M2S Monorail 2 Circuit Standoff	A Adjustable	SN Satin Nickel PN Polished Nickel BZ Antique Bronze	

RIGID STANDOFF

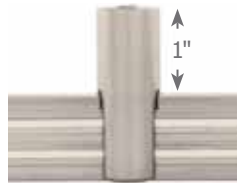
Rigid standoffs are available in heights of 1.9" (4.8cm), 6" (15.2cm), 12" (31cm), 24" (61cm), 36" (91cm), 48" (122cm) or 96" (244cm). Standoffs are field-cuttable and best suited for runs with heavier fixtures.

ORDERING CODE	SYSTEM	HEIGHT	FINISH
M2S	M2S	2	SN
M2S Monorail 2 Circuit Standoff	2 1.9" 6 6" 12 12" 24 24" 36 36" 48 48" 96 96"	SN Satin Nickel PN Polished Nickel BZ Antique Bronze	

1" RIGID STANDOFF

The 1" (2.5cm) Rigid Standoff is compatible with all standard power feed canopies and surface mount transformers.

ORDERING CODE	SYSTEM	HEIGHT	FINISH
M2S	M2S	1	SN
M2S Monorail 2 Circuit Standoff	1 1" (2.5cm)	SN Satin Nickel PN Polished Nickel BZ Antique Bronze	



DROP CEILING T-BAR CLIP

The T-Bar clip is used for mounting rigid or adjustable Monorail/Monorail 2 Circuit standoffs to T-Bar grid ceilings. Clips fit on both 9/16" and 15/16" drop ceiling grids. Use one for each standoff. Black or white finish.

ORDERING CODE	SYSTEM	TYPE	FINISH
MS	MS	TBAR	B
MS Monorail/Monorail 2 Circuit Standoff	TBAR 9/16" and 15/16"	B Black W White	

REMOTE TRANSFORMERS

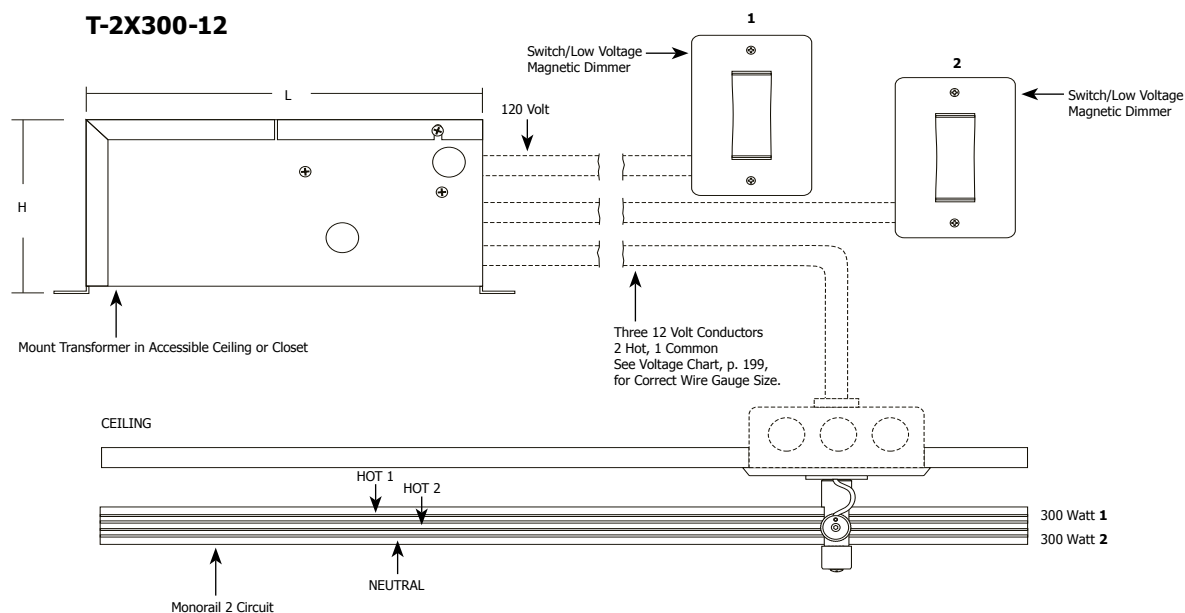


REMOTE MAGNETIC TRANSFORMERS

Remote magnetic transformers must be installed in an accessible location, such as an attic or in a closet, no more than 20 feet from the power feed canopy. The transformers convert line voltage into 12 volt power and are protected by fast-acting circuit breakers. The safe-to-touch low voltage output powers Monorail 2 circuit systems up to 300 watts per circuit for 12 volt lamps. A T-4X300-12 (consists of 2 pieces of T-2X300-12) dual feed transformer should be used with a dual feed power canopy.

Compatible dimmers are connected on the line voltage side of transformers. Some buzzing may occur at low levels and may be reduced with a de-buzzing coil (p. 196). Remote transformers are LED compatible with 12 volt AC LEDs; both circuits must have either halogen or LED load, fixtures cannot be combined. For more technical information on transformers, turn to pp. 198-199 and for LEDs, to pp. 15 and 200.






POWER OUTPUT	VOLTAGE OUTPUT	LAMP TYPE	DIMENSIONS	DIMMER USED	ORDERING CODE									
2x300 Watt	12 Volt	Halogen or LED	9.5"(L) x 6"(D) x 4.75"(H) (24.13cm x 15.24cm x 12cm)	Halogen: Two 450 Watt Magnetic Low Voltage Dimmers LED: not dimmable	<table border="1"> <tr> <td>SYSTEM</td> <td>POWER / VOLTAGE OUTPUT</td> <td>VOLTAGE INPUT</td> </tr> <tr> <td>T</td> <td>2X300 - 12</td> <td>Standard 120V (leave blank)</td> </tr> <tr> <td>T Transformer Magnetic</td> <td>2X300-12 600 Watt 12 Volt</td> <td>2 230V 50Hz 3 277V 60Hz</td> </tr> </table>	SYSTEM	POWER / VOLTAGE OUTPUT	VOLTAGE INPUT	T	2X300 - 12	Standard 120V (leave blank)	T Transformer Magnetic	2X300-12 600 Watt 12 Volt	2 230V 50Hz 3 277V 60Hz
SYSTEM	POWER / VOLTAGE OUTPUT	VOLTAGE INPUT												
T	2X300 - 12	Standard 120V (leave blank)												
T Transformer Magnetic	2X300-12 600 Watt 12 Volt	2 230V 50Hz 3 277V 60Hz												
4x300 Watt	Dual Feed 12 Volt	Halogen or LED	9.5"(L) x 6"(D) x 4.75"(H) (24.13cm x 15.24cm x 12cm)	Halogen: Four 600 Watt Magnetic Low Voltage Dimmers LED: not dimmable	<table border="1"> <tr> <td>SYSTEM</td> <td>POWER / VOLTAGE OUTPUT</td> <td>VOLTAGE INPUT</td> </tr> <tr> <td>T</td> <td>4X300 - D12</td> <td>Standard 120V (leave blank)</td> </tr> <tr> <td>T Transformer Magnetic</td> <td>4X300-D12 1200 Watt 12 Volt Dual Feed</td> <td>2 230V 50Hz 3 277V 60Hz</td> </tr> </table>	SYSTEM	POWER / VOLTAGE OUTPUT	VOLTAGE INPUT	T	4X300 - D12	Standard 120V (leave blank)	T Transformer Magnetic	4X300-D12 1200 Watt 12 Volt Dual Feed	2 230V 50Hz 3 277V 60Hz
SYSTEM	POWER / VOLTAGE OUTPUT	VOLTAGE INPUT												
T	4X300 - D12	Standard 120V (leave blank)												
T Transformer Magnetic	4X300-D12 1200 Watt 12 Volt Dual Feed	2 230V 50Hz 3 277V 60Hz												

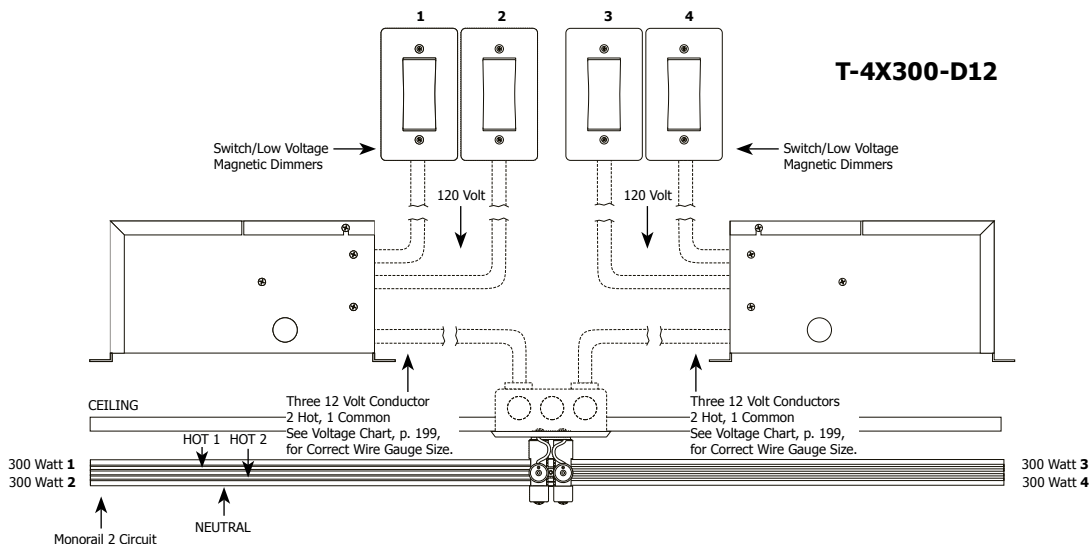


MONORAIL 2 CIRCUIT POWER FEED CANOPIES

Power feed canopies are available in single or dual feed versions.

All power feed canopies mount to a standard 4" electrical box with plaster ring or an octagon box.

SINGLE FEED — Use with T-2X300-12 Remote Transformers		ORDERING CODE
DESCRIPTION		
<p>4" Round Standard</p>  <p>The 4" round canopy mounts to a standard 4" electrical box and powers the rail 1" (2.5cm) from the ceiling. Use with 1" Rigid Standoffs.</p>	<p>SYSTEM: M2P Monorail 2 Circuit Power Feed</p> <p>CANOPY: 4RD 4.6" Round</p> <p>HEIGHT: 1 1"</p> <p>FINISH: SN Satin Nickel, PN Polished Nickel, BZ Antique Bronze</p>	
<p>4" Round Rigid Extended</p>  <p>The 4" round canopy mounts to a standard 4" electrical box. Available in 6" (15.2cm), 12" (31cm), 24" (61cm), 36" (91cm), 48" (122cm), 96" (244cm) or custom heights (fill in inches for custom height). Use with corresponding rigid or adjustable standoffs. Rigid extended power feed canopies are pre-built and may be cut on location if desired.</p>	<p>SYSTEM: M2P Monorail 2 Circuit Power Feed</p> <p>CANOPY: 4RD 4.6" Round</p> <p>HEIGHT: 6 6", 12 12", 24 24", 36 36", 48 48", 96 96", - Custom</p> <p>FINISH: SN Satin Nickel, PN Polished Nickel, BZ Antique Bronze</p>	
<p>4" Round Feed-End</p>  <p>The 4" round feed-end canopy mounts to a wall using a standard 4" electrical box and powers the rail, directly from either end. Mount canopy at least 6" from the ceiling. Use with 6"-96" standoffs</p>	<p>SYSTEM: M2P Monorail 2 Circuit Power Feed</p> <p>CANOPY: 4RD 4.6" Round</p> <p>TYPE: FE Feed-End</p> <p>FINISH: SN Satin Nickel, PN Polished Nickel, BZ Antique Bronze</p>	
DUAL FEED — Use with T-4X300-D12 Remote Transformers		ORDERING CODE
DESCRIPTION		
<p>4" Round Standard</p>  <p>The 4" round dual feed canopy mounts to a standard 4" electrical box and powers the rails 1" (2.5cm) from ceiling at the point where two feeds split. A set of isolating connectors is included. Use with 1" Rigid Standoffs and T-4X300-D12 transformer.</p>	<p>SYSTEM: M2PD Monorail 2 Circuit Power Dual Feed</p> <p>CANOPY: 4RD 4.6" Round</p> <p>HEIGHT: 1 1"</p> <p>FINISH: SN Satin Nickel, PN Polished Nickel, BZ Antique Bronze</p>	
<p>4" Round Rigid Extended</p>  <p>The 4" round dual feed canopy mounts to a standard 4" electrical box at the point where two feeds split. Available in 6" (15.2cm), 12" (31cm), 24" (61cm), 36" (91cm), 48" (122cm), 96" (244cm) or custom heights (fill in inches for custom height). A set of isolating connectors is included. Use with corresponding rigid or adjustable standoffs and T-4X300-D12 transformer.</p> <p>Rigid extended power feed canopies are pre-built and may be cut on location if desired.</p>	<p>SYSTEM: M2PD Monorail 2 Circuit Power Dual Feed</p> <p>CANOPY: 4RD 4.6" Round</p> <p>HEIGHT: 6 6", 12 12", 24 24", 36 36", 48 48", 96 96", - Custom</p> <p>FINISH: SN Satin Nickel, PN Polished Nickel, BZ Antique Bronze</p>	



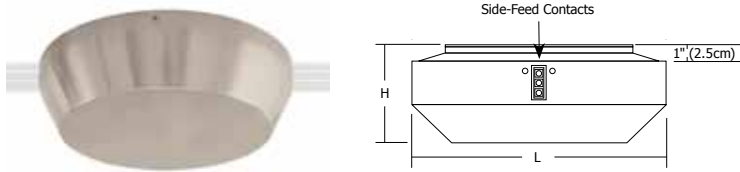
MONORAIL 2 CIRCUIT TRANSFORMERS

SURFACE MOUNT MAGNETIC

Surface mount magnetic transformers provide a decorative element and power the Monorail 2 Circuit from an electrical box within range of the system.

Featuring an integral de-buzzing coil, the transformers convert 120 volts to safe-to-touch 12 volt power and are protected by fast-acting circuit breakers.

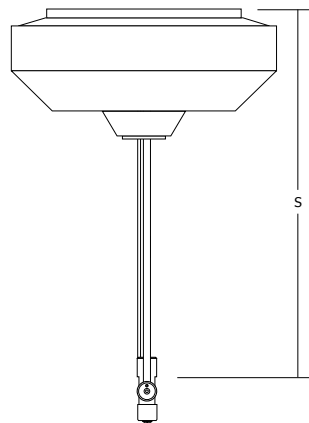
All surface mount magnetic transformers are LED compatible with 12 volt AC LEDs; both circuits must have either halogen or LED load, fixtures cannot be combined.



SURFACE MOUNT MAGNETIC TRANSFORMERS

Standard surface mount magnetic transformers power the rail 1" (2.5cm) from ceiling. Rail attaches to one or both side-feed contacts (included). An insert is provided to cover unused side-feed contact. Use with 1" Rigid Standoffs.

POWER OUTPUT	VOLTAGE OUTPUT	LAMP TYPE	DIMENSIONS	DIMMER USED	ORDERING CODE									
2x150 Watt	12 Volt	Halogen or LED (not dimmable)	8.57"(L) x 3.31"(H) (21.76cm x 8.4cm)	Halogen: Two 450 Watt Magnetic Low Voltage Dimmers LED: not dimmable	<table border="0"> <tr> <td>SYSTEM</td> <td>POWER / VOLTAGE OUTPUT</td> <td>FINISH</td> </tr> <tr> <td>M2T</td> <td>2X150 - 12</td> <td>SN</td> </tr> <tr> <td><small>M2T Monorail 2 Circuit Transformer Surface Mount Magnetic</small></td> <td><small>2X150-12 300 Watt 12 Volt</small></td> <td><small>SN Satin Nickel PN Polished Nickel BZ Antique Bronze</small></td> </tr> </table>	SYSTEM	POWER / VOLTAGE OUTPUT	FINISH	M2T	2X150 - 12	SN	<small>M2T Monorail 2 Circuit Transformer Surface Mount Magnetic</small>	<small>2X150-12 300 Watt 12 Volt</small>	<small>SN Satin Nickel PN Polished Nickel BZ Antique Bronze</small>
SYSTEM	POWER / VOLTAGE OUTPUT	FINISH												
M2T	2X150 - 12	SN												
<small>M2T Monorail 2 Circuit Transformer Surface Mount Magnetic</small>	<small>2X150-12 300 Watt 12 Volt</small>	<small>SN Satin Nickel PN Polished Nickel BZ Antique Bronze</small>												
2x250 Watt	12 Volt	Halogen or LED (not dimmable)	9.28"(L) x 4.13"(H) 23.57cm (L) x 10.5cm (H)	Halogen: Two 600 Watt Magnetic Low Voltage Dimmers LED: not dimmable	<table border="0"> <tr> <td>SYSTEM</td> <td>POWER / VOLTAGE OUTPUT</td> <td>FINISH</td> </tr> <tr> <td>M2T</td> <td>2X250 - 12</td> <td>SN</td> </tr> <tr> <td><small>M2T Monorail 2 Circuit Transformer Surface Mount Magnetic</small></td> <td><small>2X250-12 500 Watt 12 Volt</small></td> <td><small>SN Satin Nickel PN Polished Nickel BZ Antique Bronze</small></td> </tr> </table>	SYSTEM	POWER / VOLTAGE OUTPUT	FINISH	M2T	2X250 - 12	SN	<small>M2T Monorail 2 Circuit Transformer Surface Mount Magnetic</small>	<small>2X250-12 500 Watt 12 Volt</small>	<small>SN Satin Nickel PN Polished Nickel BZ Antique Bronze</small>
SYSTEM	POWER / VOLTAGE OUTPUT	FINISH												
M2T	2X250 - 12	SN												
<small>M2T Monorail 2 Circuit Transformer Surface Mount Magnetic</small>	<small>2X250-12 500 Watt 12 Volt</small>	<small>SN Satin Nickel PN Polished Nickel BZ Antique Bronze</small>												



EXTENDED SURFACE MAGNETIC TRANSFORMERS

Extended surface mount magnetic transformers are available in rigid 12" (31cm), 24" (61cm), 36" (91cm), 48" (122cm), 96" (244cm) or custom heights. Use with corresponding rigid or adjustable standoffs.

Extended surface mount transformers are pre-built and may be cut on location if desired.

ORDERING CODE	SYSTEM	POWER / VOLTAGE OUTPUT	HEIGHT (S)	FINISH
M2T	M2T	2X150 - 12	P12	SN
<small>M2T Monorail 2 Circuit Transformer Surface Mount Magnetic</small>	<small>2X150-12 300 Watt 12 Volt 2X250-12 500 Watt 12 Volt</small>	<small>P12 12" P24 24" P36 36" P48 48" P96 96" P_ Custom</small>	<small>SN Satin Nickel PN Polished Nickel BZ Antique Bronze</small>	

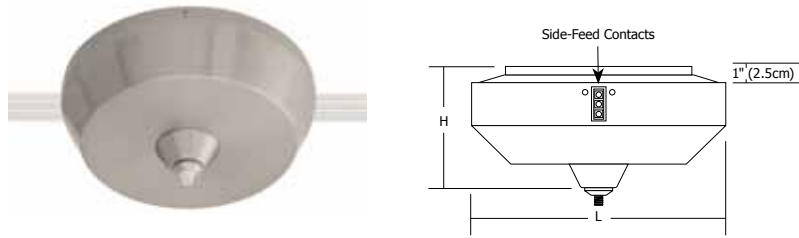
ADJUSTABLE 2-CIRCUIT POWER FEED



M2P-ME-96-SN
Plug into side of surface mount transformer (Transformer shown above)

ORDERING CODE	SYSTEM	TYPE	SIZE	FINISH
M2P	M2P	ME	96	SN
<small>M2P Monorail 2 Circuit Power Feed</small>	<small>ME Male End</small>	<small>96 96"</small>	<small>SN Satin Nickel PN Polished Nickel BZ Antique Bronze</small>	

SPECIAL MONORAIL 2 CIRCUIT TRANSFORMERS



SURFACE MOUNT MAGNETIC TRANSFORMER WITH FAST JACK PORT

The surface mount magnetic transformer with fast jack port powers the rail 1" from ceiling and also accepts a Fast Jack fixture. Featuring an integral de-buzzing coil and a fast-acting circuit breaker, the transformer converts 120 volts to safe-to-touch 12 volt power. Rail attaches to one or both side-feed contacts using push-in conductive connectors (included). A protective insert is provided for unused side-feed contact. Use with 1" Rigid Standoffs. The surface mount magnetic transformer is LED compatible with 12 volt AC LEDs; both circuits must have either halogen or LED load, fixtures cannot be combined. Monorail 2 Circuit LED is not dimmable.

POWER OUTPUT	VOLTAGE OUTPUT	LAMP TYPE	DIMENSIONS	DIMMER USED	ORDERING CODE									
2x150 Watt	12 Volt	LED or Halogen	8.57"(L)x 3.31"(H) (21.76cm x 8.4cm)	Halogen: Two 450 Watt Magnetic Low Voltage Dimmers LED: not dimmable	<table border="0"> <tr> <td>SYSTEM</td> <td>POWER / VOLTAGE OUTPUT</td> <td>FINISH</td> </tr> <tr> <td>M2TFJ</td> <td>2X150 - 12</td> <td>SN</td> </tr> <tr> <td><small>M2TFJ Monorail 2 Circuit Transformer with Fast Jack Port</small></td> <td><small>2X150-12 300 Watt 12 Volt</small></td> <td><small>SN Satin Nickel PN Polished Nickel BZ Antique Bronze</small></td> </tr> </table>	SYSTEM	POWER / VOLTAGE OUTPUT	FINISH	M2TFJ	2X150 - 12	SN	<small>M2TFJ Monorail 2 Circuit Transformer with Fast Jack Port</small>	<small>2X150-12 300 Watt 12 Volt</small>	<small>SN Satin Nickel PN Polished Nickel BZ Antique Bronze</small>
SYSTEM	POWER / VOLTAGE OUTPUT	FINISH												
M2TFJ	2X150 - 12	SN												
<small>M2TFJ Monorail 2 Circuit Transformer with Fast Jack Port</small>	<small>2X150-12 300 Watt 12 Volt</small>	<small>SN Satin Nickel PN Polished Nickel BZ Antique Bronze</small>												
2x250 Watt	12 Volt	LED or Halogen	9.28"(L) x 4.13"(H) (23.57cm x 10.5cm)	Halogen: Two 600 Watt Magnetic Low Voltage Dimmers LED: not dimmable	<table border="0"> <tr> <td>SYSTEM</td> <td>POWER / VOLTAGE OUTPUT</td> <td>FINISH</td> </tr> <tr> <td>M2TFJ</td> <td>2X250 - 12</td> <td>SN</td> </tr> <tr> <td><small>M2TFJ Monorail 2 Circuit Transformer with Fast Jack Port</small></td> <td><small>2X250-12 500 Watt 12 Volt</small></td> <td><small>SN Satin Nickel PN Polished Nickel BZ Antique Bronze</small></td> </tr> </table>	SYSTEM	POWER / VOLTAGE OUTPUT	FINISH	M2TFJ	2X250 - 12	SN	<small>M2TFJ Monorail 2 Circuit Transformer with Fast Jack Port</small>	<small>2X250-12 500 Watt 12 Volt</small>	<small>SN Satin Nickel PN Polished Nickel BZ Antique Bronze</small>
SYSTEM	POWER / VOLTAGE OUTPUT	FINISH												
M2TFJ	2X250 - 12	SN												
<small>M2TFJ Monorail 2 Circuit Transformer with Fast Jack Port</small>	<small>2X250-12 500 Watt 12 Volt</small>	<small>SN Satin Nickel PN Polished Nickel BZ Antique Bronze</small>												



MONORAIL 2 CIRCUIT FOR SLOPED CEILINGS

Sloped ceiling power feed canopies are available in single or dual feed versions. Sloped surface mount transformers are available only in single feed versions. All surface mount transformers and canopies mount to a standard 4" electrical box with plaster ring or an octagon box.

SLOPED CEILING POWER FEED CANOPY SINGLE FEED



The 4" Round Power Feed Canopy mounts to a standard 4" electrical box and powers the rail in sloped ceiling applications. Pre-assembled power feed canopies are available up to 96". Use with corresponding sloped ceiling standoffs and T-2X300-12 transformer.

ORDERING CODE	SYSTEM	CANOPY	HEIGHT (SL)	FINISH
M2P	M2P Monorail 2 Circuit Power Feed	4RD 4.6" Round	SL2 2" SL6 6" SL12 12" SL24 24" SL_ Custom	SN Satin Nickel PN Polished Nickel BZ Antique Bronze

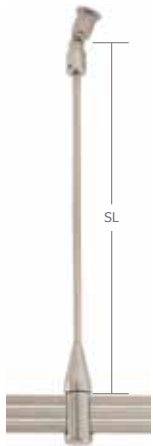
SLOPED CEILING POWER FEED CANOPY DUAL FEED



The 4" Round Dual Feed Canopy mounts to a standard 4" electrical box and powers rails at the point where two feeds split in sloped ceiling applications. Pre-assembled power feed canopies are available up to 96". A set of isolating connectors is included. Use with corresponding sloped ceiling standoffs and T-4X300-D12 transformer.

ORDERING CODE	SYSTEM	CANOPY	HEIGHT (SL)	FINISH
M2PD	M2PD Monorail 2 Circuit Power Dual Feed	4RD 4.6" Round	SL2 2" SL6 6" SL12 12" SL24 24" SL_ Custom	SN Satin Nickel PN Polished Nickel BZ Antique Bronze

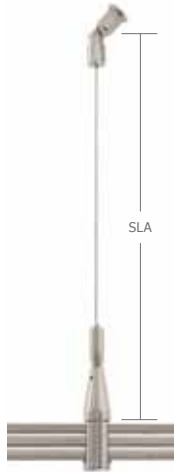
SLOPED CEILING RIGID STANDOFF



Field-cutttable Rigid Standoffs are available up to 96". Use one standoff approximately every 3' of rail, at corners, at rail joints and in systems with heavier fixtures. Use with sloped ceiling power feed canopies and surface mount transformers.

ORDERING CODE	SYSTEM	HEIGHT (SL)	FINISH
M2S	M2S Monorail 2 Circuit Standoff	SL2 2" SL6 6" SL12 12" SL24 24" SL_ Custom	SN Satin Nickel PN Polished Nickel BZ Antique Bronze

SLOPED CEILING ADJUSTABLE STANDOFF



The Sloped Ceiling Adjustable Standoff provides a clean and minimal look. An integral wire grip adjusts and locks the 12' field-cutttable aircraft cable in place. Use one standoff approximately every 3' of rail, at corners and at joints. Use with sloped ceiling power feed canopies and surface mount transformers.

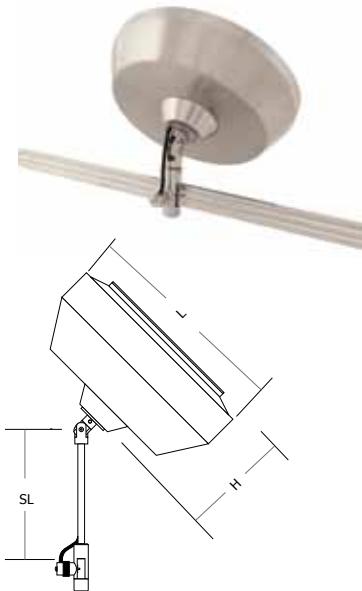
ORDERING CODE	SYSTEM	HEIGHT	FINISH
M2S	M2S Monorail 2 Circuit Standoff	SLA 12' Adjustable	SN Satin Nickel PN Polished Nickel BZ Antique Bronze

SLOPED CEILING SURFACE MOUNT MAGNETIC TRANSFORMERS

Sloped ceiling surface mount magnetic transformers mount to a standard 4" electrical box and power rails in sloped ceiling applications. Transformers are protected by fast-acting circuit breakers and feature an integral de-buzzing coil. Extended sloped ceiling surface mount transformers are available up to 96". Use with corresponding sloped ceiling standoffs. Offered in single feed version.

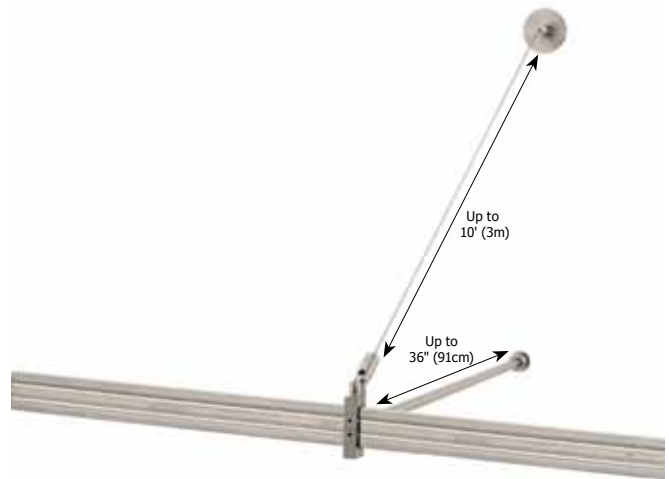
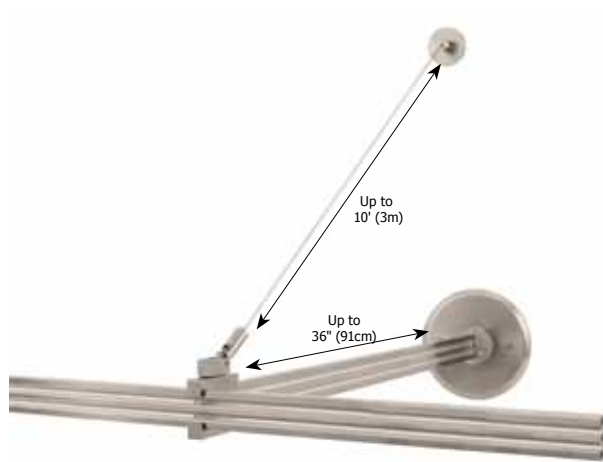
POWER OUTPUT	VOLTAGE OUTPUT	LAMP TYPE	DIMENSIONS	DIMMER USED
2x150 Watt	12 Volt	Halogen or LED	8.75"(L) x 5"(H) (22.2cm x 12.7cm)	Two 450 Watt Magnetic Low Voltage Dimmers
2x250 Watt	12 Volt	Halogen or LED	9.28"(L) x 5.8"(H) (23.6cm x 14.7cm)	Two 600 Watt Magnetic Low Voltage Dimmers

ORDERING CODE	SYSTEM	POWER / VOLTAGE OUTPUT	HEIGHT (SL)	FINISH
M2T	M2T Monorail 2 Circuit Transformer Surface Mount Magnetic	2X150 - 12 300 Watt 12 Volt 2X250 - 12 500 Watt 12 Volt	SL2 2" SL6 6" SL12 12" SL24 24" SL_ Custom	SN Satin Nickel PN Polished Nickel BZ Antique Bronze



MONORAIL 2 CIRCUIT OUT-RIGGERS

Use Monorail 2 Circuit Out-Rigger Power Feed and Standoffs with high ceilings or indoor balconies.



Monorail 2 Circuit

OUT-RIGGER POWER FEED

Monorail 2 Circuit Out-Rigger Power Feed mounts to a standard 4" electrical box with plaster ring or an octagon box. The field-cutttable Out-Rigger cantilevers the rail up to 36" (91cm) from wall. Use with Out-Rigger Standoffs.

ORDERING CODE	SYSTEM	CANOPY	TYPE	FINISH
M2P	4RD	OUT	SN	
M2P Monorail 2 Circuit Power Feed	4RD 4.3" Round	OUT Out-Rigger	SN Satin Nickel PN Polished Nickel BZ Antique Bronze	

OUT-RIGGER STANDOFF

The field-cutttable Out-Rigger Standoff supports the Monorail 2 Circuit up to 36" (91cm) from wall. Use an Out-Rigger Standoff approximately every 3' and at rail joints. Use with Out-Rigger Power Feed.

ORDERING CODE	SYSTEM	TYPE	FINISH
M2S	OUT	SN	
M2S Monorail 2 Circuit Standoff	OUT Out-Rigger	SN Satin Nickel PN Polished Nickel BZ Antique Bronze	

MONORAIL 2 CIRCUIT ADJUSTABLE POWER FEED CANOPIES

Adjustable power feed canopies are available in single or dual feed versions. All power feed canopies mount to a standard 4" electrical box with plaster ring or an octagon box. The adjustable 12' (3.65m) cable powers the rail where an electrical box cannot be located directly above the system. Use the T-2X300-12 remote transformer with single feed canopies or the T-4X300-D12 with a dual feed canopy.

SINGLE END FEED



ORDERING CODE	SYSTEM	CANOPY	TYPE	FINISH
M2P	4RD	ME	SN	
M2P Monorail 2 Circuit Power Feed	4RD 4.6" Round	ME Adjustable Male End	SN Satin Nickel PN Polished Nickel BZ Antique Bronze	

SINGLE CENTER FEED



ORDERING CODE	SYSTEM	CANOPY	TYPE	FINISH
M2P	4RD	A	SN	
M2P Monorail 2 Circuit Power Feed	4RD 4.6" Round	A Adjustable Center Feed	SN Satin Nickel PN Polished Nickel BZ Antique Bronze	
M2PD				
M2PD Monorail 2 Circuit Power Dual Feed				

DUAL CENTER FEED

