

REBEL

FJ-REB-1-SN
Satin Nickel



FJ-REB-1-PN
Polished Nickel

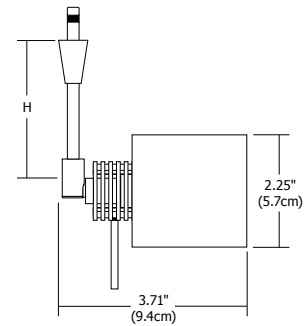


FJ-REB-1-BZ
Antique Bronze



The contemporary cylinder-shaped Rebel is a versatile spotlight with a handle that can be removed after hot aiming. It rotates 360° and tilts 90°, performing as either an accent light or a stylish downlight. The fixture allows easy re-lamping and holds up to three accessories.

SYSTEM COMPATIBILITY	Monorail (M) or Monorail 2 Circuit (M2) Use Fast Jack (FJ) version for FJ canopies (see pp. 91-93)
HEIGHT	1" (2.5cm), 3" (7.6cm), 6" (15.2cm), 12" (30.5cm) or 18" (45.7cm)
FINISH	Satin Nickel, Polished Nickel or Antique Bronze
LAMP SPECIFICATION	Maximum 50 watt IR MR16 lamp GU 5.3 base – 12 or 24 volt 37 watt IR MR16 lamp with bronze finish (sold separately on pp. 202-207)
OPTICAL ACCESSORIES	Hexcell Louver, Glass Lenses or Snoot (sold separately on pp. 192-193)



Removable Hot Aiming Handle Supplied

ORDERING CODE	SYSTEM	FIXTURE	HEIGHT (H)	FINISH
FJ	REB	1	SN	
<small>FJ Fast Jack M Monorail M2 Monorail 2 Circuit</small>	<small>REB Rebel</small>	<small>1 1" 3 3" 6 6" 12 12" 18 18"</small>	<small>SN Satin Nickel PN Polished Nickel BZ Antique Bronze</small>	

FJ-REB-3-BZ
Antique Bronze



FJ-REB-6-BZ
Antique Bronze



FJ-REB-12-BZ
Antique Bronze



FJ-REB-3-SN
Satin Nickel



Order Snoot
ST16-SN
separately on p. 192



FORM

ROUND & SQUARE



FJ-FOR-RD-3-SN
Satin Nickel



FJ-FOR-SQ-3-PN
Polished Nickel

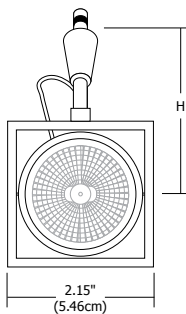


FJ-FOR-RD-3-SN
Satin Nickel
with LED MR16 lamp
(sold separately)

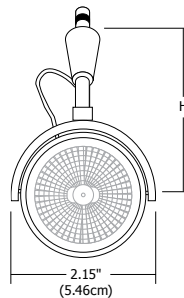
The lightweight, geometric Form functions with an MR16 **Halogen** or MR16 12VAC **LED** lamp. Available in round or square versions, the contemporary adjustable accent light rotates 360° and tilts 50°. The easy-to-aim fixture holds one accessory lens or louver.

SYSTEM COMPATIBILITY	Monorail (M) or Monorail 2 Circuit (M2) Use Fast Jack (FJ) version for FJ canopies (see pp. 91-93)
HEIGHT	3" (7.6cm), 6" (15.2cm), 12" (30.5cm), 24" (61cm), 36" (91.4cm) or 48" (122cm)
FINISH	Satin Nickel or Polished Nickel
LAMP SPECIFICATION	Maximum 75 watt MR16 lamp GU 5.3 base - 12 or 24 volt LED MR16-12VAC (compatible options sold separately on pp. 203)
OPTICAL ACCESSORIES	Hexcell Louver, Glass Lenses or Snoot (sold separately on pp. 192-193)

ORDERING CODE	SYSTEM	FIXTURE	TYPE	HEIGHT (H)	FINISH
FJ	FOR	RD	3	SN	
FJ Fast Jack M Monorail M2 Monorail 2 Circuit	FOR Form	RD Round SQ Square	3 3" 6 6" 12 12" 24 24" 36 36" 48 48"	SN Satin Nickel PN Polished Nickel	



Fast Jack Form Square



Fast Jack Form Round



FJ-FOR-RD-6-SN
Satin Nickel

Order Snoot
ST16-SN
sold separately on p. 192



FORM 2-HEAD

ROUND & SQUARE

FJ-FOR-2RD-48-PN
Polished Nickel



FJ-FOR-2RD-3-SN
Satin Nickel

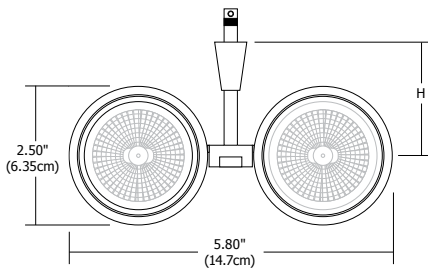


FJ-FOR-2SQ-3-PN
Polished Nickel

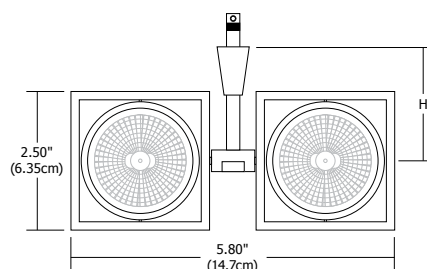
The lightweight, geometric Form 2-Head functions with an MR16 **Halogen** or MR16 12VAC **LED** lamp. Each easy-aiming head rotates 360° and tilts 180° independently—great for illuminating hallways. The easy-to-aim fixture is available in round or square versions and holds one accessory lens or louver per head.

SYSTEM	Monorail (M) or Monorail 2 Circuit (M2)
COMPATIBILITY	Use Fast Jack (FJ) version for FJ canopies (see pp. 91-93)
HEIGHT	3" (7.6cm), 6" (15.2cm), 12" (30.5cm), 24" (61cm), 36" (91.4cm) or 48" (122cm)
FINISH	Satin Nickel or Polished Nickel
LAMP SPECIFICATION	Maximum 37 watt IR MR16 lamp GU 5.3 base - 12 or 24 volt LED MR16-12VAC compatible (sold separately on pp. 202-207)
OPTICAL ACCESSORIES	Hexcell Louver, Glass Lenses or Snoot (sold separately on pp. 192-193)

ORDERING CODE	SYSTEM	FIXTURE	TYPE	HEIGHT (H)	FINISH
FJ	FJ	FOR	2RD	3	SN
<small>FJ Fast Jack M Monorail M2 Monorail 2 Circuit</small>		<small>FOR Form</small>	<small>2RD 2-Head Round 2SQ 2-Head Square</small>	<small>3 3" 6 6" 12 12" 24 24" 36 36" 48 48"</small>	<small>SN Satin Nickel PN Polished Nickel</small>



Fast Jack Form Round 2-Head



Fast Jack Form Square 2-Head



Head **FJ-FOR-2SQ-36-PN**
Polished Nickel
+
Canopy **FJP-4RD-PN**

FUNCTION

ROUND & SQUARE



FJ-FUN-SQ-5-SN
Satin Nickel

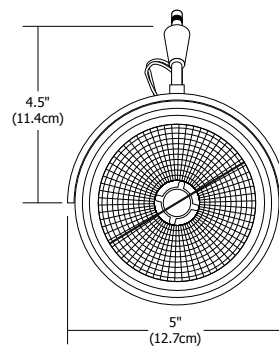


FJ-FUN-RD-5-SN
Satin Nickel

The geometric Function head performs as a long range spotlight using an AR111 low voltage **Halogen** lamp. Available in round or square versions, the easily adjustable accent light rotates 360° and tilts 180°.

SYSTEM	Monorail (M) or Monorail 2 Circuit (M2)
COMPATIBILITY	Use Fast Jack (FJ) version for FJ canopies (see pp. 91-93)
HEIGHT	4.5" (11.4cm)
FINISH	Satin Nickel or Polished Nickel
LAMP SPECIFICATION	Maximum 75 watt AR111 lamp with screw terminals - 12 volt (sold separately on pp. 202- 207)

ORDERING CODE	SYSTEM	FIXTURE	TYPE	HEIGHT	FINISH
FJ M M2	FJ Fast Jack Monorail Monorail 2 Circuit	FUN Function	RD Round SQ Square	5 4.5"	SN Satin Nickel PN Polished Nickel



Fast Jack Function Round

Function Heads shown with Fast Jack Canopy (see p. 91).



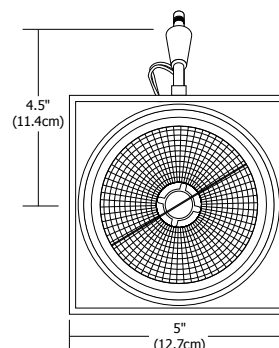
FJ-FUN-SQ-5-SN
Function Square Head

FJP-4SQ-SN
Canopy & Transformer



FJ-FUN-RD-5-SN
Function Round Head

FJP-4RD-SN
Canopy & Transformer



Fast Jack Function Square

HARLEY



FJ-HAR-5-SN
Satin Nickel



FJ-HAR-5-PN
Polished Nickel

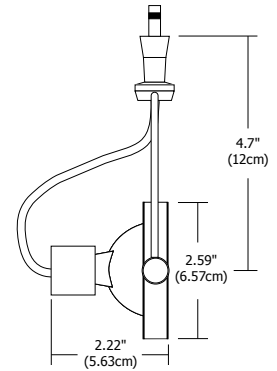


FJ-HAR-5-SN
Satin Nickel

with **LED** MR16 lamp
(sold separately)

The heavy-duty Harley projects focused light from an MR16 **Halogen** or MR16 12VAC **LED** lamp; rotates 360°, tilts 180° and holds one accessory lens or louver. The optional Gobo Holder transforms the adjustable head into an image projector (see details on pp. 194-195).

SYSTEM COMPATIBILITY	Monorail (M) or Monorail 2 Circuit (M2) Use Fast Jack (FJ) version for FJ canopies (see pp. 91-93)...
HEIGHT	4.7" (12cm)
FINISH	Satin Nickel or Polished Nickel
LAMP SPECIFICATION	Maximum 75 watt MR16 lamp GU 5.3 base - 12 or 24 volt LED MR16-12VAC (sold separately on pp. 202-207)
OPTICAL ACCESSORIES	Hexcell Louver, Glass Lenses or Snoot (sold separately on pp. 192-193)



ORDERING CODE	SYSTEM	FIXTURE	HEIGHT	FINISH
FJ	FJ	HAR	5	SN
<small>FJ Fast Jack M Monorail M2 Monorail 2 Circuit</small>	<small>FJ Fast Jack M Monorail M2 Monorail 2 Circuit</small>	<small>HAR Harley</small>	<small>5 4.7"</small>	<small>SN Satin Nickel PN Polished Nickel</small>

HARLEY WITH GOBO HOLDER

FJ-HAR-5-GO-SN
Satin Nickel



FJ-HAR-5-GO-PN
Polished Nickel



Harley with Gobo Holder projects a standard or custom gobo image on any surface. The focused light is shaped and magnified through the gobo holder and two convex lenses giving 25 degree beam spread - add third convex lens for 37 degree beam spread (see Accessories on p. 195).

See p. 194 for the "Size of Projected Gobo Image" diagram and more information on gobos (sold separately).

ORDERING CODE	SYSTEM	FIXTURE	HEIGHT	ACCESSORY	FINISH
FJ	FJ	HAR	5	GO	SN
<small>FJ Fast Jack M Monorail M2 Monorail 2 Circuit</small>	<small>FJ Fast Jack M Monorail M2 Monorail 2 Circuit</small>	<small>HAR Harley</small>	<small>5 4.7"</small>	<small>GO Gobo Holder</small>	<small>SN Satin Nickel PN Polished Nickel</small>



TRIUMPH



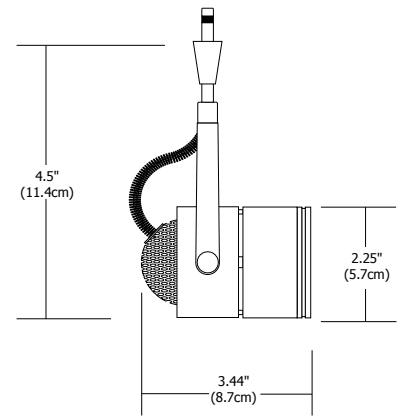
FJ-TRI-4-PN
Polished Nickel



FJ-TRI-4-SN
Satin Nickel

The Triumph head, an accent light source, has a wide range and 290° tilt. The head rotates 360° and holds a single glass lens or hexcell louver.

SYSTEM COMPATIBILITY	Monorail (M) or Monorail 2 Circuit (M2) Use Fast Jack (FJ) version for FJ canopies (see pp. 91-93)
HEIGHT	4.5" (11.4 cm)
FINISH	Satin Nickel or Polished Nickel
LAMP SPECIFICATION	Up to 50 watt MR16 lamp GU5.3 bi-pin base - 12 or 24 volt (sold separately on pp. 202-207)
OPTICAL ACCESSORIES	Hexcell Louver, Glass Lenses or Snoot (sold separately on pp. 192- 193)



ORDERING CODE	SYSTEM	FIXTURE	HEIGHT (H)	FINISH
FJ	TRI	4	SN	
FJ Fast Jack M Monorail M2 Monorail 2 Circuit	TRI Triumph	4 4.5" (11.4 cm)	SN Satin Nickel PN Polished Nickel	

LOW RIDER



FJ-LOW-1-SN-S1-SN

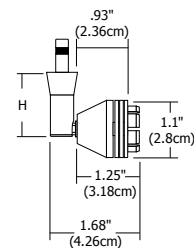
Satin Nickel with
Satin Nickel S1 Shade

FJ-LOW-1-SN-S2-PN

Satin Nickel with Polished
Nickel S2 Shade & **LED** MR16
lamp (sold separately on
p. 203)

Petite yet versatile, the classic Low Rider spotlight rotates 360° and tilts 90°. Select from a variety of shades to personalize the timeless design. The fixture is **LED** compatible when using the S2 Mesh Shade.

SYSTEM COMPATIBILITY	Monorail (M) or Monorail 2 Circuit (M2) Use Fast Jack (FJ) version for FJ canopies (see pp. 91-93)
HEIGHT	1.2" (3cm), 3" (7.6cm), 6" (15.2cm), 12" (30.5cm) or 18" (45.7cm)
FINISH	Satin Nickel, Polished Nickel or Antique Bronze
LAMP SPECIFICATIONS	Maximum 50 watt IR MR16 lamp GU5.3 base - 12 or 24 volt LED MR16-12VAC compatible with S2 Mesh Shade only (sold separately on p. 190)
REQUIRED SHADES	S1 - Little Solid Shade, S2 - Little Mesh Shade, S3 - Round Glass Shade or S5 - Big Solid Shade (sold with Low Rider or separately on pp. 190-191)
OPTICAL ACCESSORIES	Hexcell Louver, Glass Lenses or Snoot (sold separately on pp. 192-193)



ORDERING CODE	SYSTEM	FIXTURE	HEIGHT (H)	FINISH	SHADE CODE	ACCESSORY	GLASS COLOR*	FINISH
FJ	FJ Fast Jack M Monorail M2 Monorail 2 Circuit	LOW Low Rider	1 1.2" 3 3" 6 6" 12 12" 18 18"	SN Satin Nickel PN Polished Nickel BZ Antique Bronze	S3 -	S1 Little Solid Shade S2 Little Mesh Shade S3 Round Glass Shade S5 Big Solid Shade	AM Amber WH White *Leave Blank for S1, S2, S5	SN Satin Nickel (S1, S3, S5) PN Polished Nickel (S1, S2, S3, S5) BZ Antique Bronze (S1, S2, S3, S5) BK Black (S1, S2)



FJ-LOW-1-PN-S1-PN

Polished Nickel with Polished Nickel S1 Shade



FJ-LOW-1-SN-S1-BK

Satin Nickel with Black S1 Shade



FJ-LOW-1-BZ-S1-BZ

Antique Bronze with Antique Bronze S1 Shade



FJ-LOW-1-BZ-S1-BK

Antique Bronze with Black S1 Shade



FJ-LOW-1-SN-S2-BK

Satin Nickel with Black S2 Shade



FJ-LOW-1-PN-S2-PN

Polished Nickel with Polished Nickel S2 Shade



FJ-LOW-1-PN-S2-BK

Polished Nickel with Black S2 Shade



FJ-LOW-1-BZ-S2-BZ

Antique Bronze with Antique Bronze S2 Shade



FJ-LOW-1-SN-S3-AM-SN

Satin Nickel with Satin Nickel S3 Amber Shade



FJ-LOW-1-SN-S3-WH-SN

Satin Nickel with Satin Nickel S3 White Shade



FJ-LOW-1-BZ-S3-AM-BZ

Antique Bronze with Antique Bronze S3 Amber Shade



FJ-LOW-1-BZ-S3-WH-BZ

Antique Bronze with Antique Bronze S3 White Shade



FJ-LOW-1-SN-S5-SN

Satin Nickel with Satin Nickel S5 Shade



FJ-LOW-1-PN-S5-PN

Polished Nickel with Polished Nickel S5 Shade



FJ-LOW-1-BZ-S5-BZ

Antique Bronze with Antique Bronze S5 Shade

SPIRIT

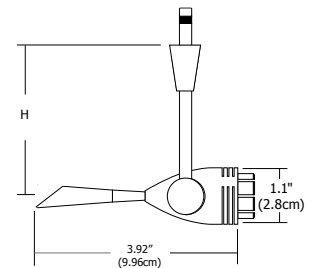
FJ-SPI-3-SN-S1-SN

Satin Nickel with
Satin Nickel S1 Shade



The Spirit fixture head, a stylish directional light with **cool-to-the-touch** handle, rotates 360° and tilts 250°. It adapts to various accessory shades (required, sold separately) to enhance any environment.

SYSTEM COMPATIBILITY	Monorail (M) or Monorail 2 Circuit (M2) Use Fast Jack (FJ) version for FJ canopies (see pp. 91-93)
HEIGHT	3" (7.6cm), 6" (15.2cm), 12" (30.5cm) or 18" (45.7cm)
FINISH	Satin Nickel, Polished Nickel or Antique Bronze
LAMP SPECIFICATIONS	Maximum 50 watt IR MR16 lamp GU5.3 base - 12 or 24 volt LED MR16-12VAC compatible with S2 Mesh Shade only (sold separately on p. 190)
REQUIRED SHADES	S1 - Little Solid Shade, S2 - Little Mesh Shade, S3 - Round Glass Shade or S5 - Big Solid Shade (sold with Spirit or separately on pp. 190-191)
OPTICAL ACCESSORIES	Hexcell Louver, Glass Lenses or Snoot (sold separately on pp. 192-193)



ORDERING CODE	SYSTEM	FIXTURE	HEIGHT (H)	FINISH	SHADE CODE	ACCESSORY	GLASS COLOR*	FINISH
FJ M M2	FJ Fast Jack M Monorail M2 Monorail 2 Circuit	SPI Spirit	3 3" 6 6" 12 12"	SN Satin Nickel PN Polished Nickel BZ Antique Bronze	S3	S1 Little Solid Shade S2 Little Mesh Shade S3 Round Glass Shade S5 Big Solid Shade	AM Amber WH White *Leave Blank for S1, S2, S5	SN Satin Nickel (S1, S3, S5) PN Polished Nickel (S1, S2, S3, S5) BZ Antique Bronze (S1, S2, S3, S5) BK Black (S1, S2)



FJ-SPI-3-PN-S1-PN

Polished Nickel with
Polished Nickel S1 Shade



FJ-SPI-3-BZ-S1-BZ

Antique Bronze with
Antique Bronze S1 Shade



FJ-SPI-3-PN-S1-BK

Polished Nickel with
Black S1 Shade



FJ-SPI-3-SN-S2-PN

Satin Nickel with
Polished Nickel S2 Shade



FJ-SPI-3-PN-S2-PN

Polished Nickel with
Polished Nickel S2 Shade



FJ-SPI-3-BZ-S2-BZ

Antique Bronze with
Black S2 Shade



FJ-SPI-3-SN-S3-WH-SN

Polished Nickel with Polished
Nickel S3 White Shade



FJ-SPI-3-SN-S3-AM-SN

Satin Nickel with
Satin Nickel S3 Amber Shade



FJ-SPI-3-SN-S3-WH-SN

Satin Nickel with
Satin Nickel S3 White Shade



FJ-SPI-3-BZ-S3-AM-BZ

Antique Bronze with Antique
Bronze S3 Amber Shade



FJ-SPI-3-PN-S2-BK

Polished Nickel with
Black S2 Shade



FJ-SPI-3-SN-S5-SN

Satin Nickel with
Satin Nickel S5 Shade



FJ-SPI-3-PN-S5-PN

Polished Nickel with
Polished Nickel S5 Shade



FJ-SPI-3-BZ-S5-BZ

Antique Bronze with
Antique Bronze S5 Shade



Dark Night Pendants and Chopper
on 4" Round Fast Jack Canopies

CHOPPER



FJ-CHO-1-SN
Satin Nickel



FJ-CHO-3-PN
Polished Nickel



FJ-CHO-1-SN
Satin Nickel with LED



FJ-CHO-1-SN-S6-SN
Satin Nickel with
Satin Nickel S6 Shade



FJ-CHO-1-PN-S7-PN
Polished Nickel with
Polished Nickel S7 Shade



FJ-CHO-1-BZ-LH16-BZ
Antique Bronze with Antique
Bronze Louver Lens Holder

Combining simple shapes with beveled edges, the Chopper functions with an MR16 **Halogen** or MR16 12VAC **LED** lamp with S7 shade or no shade. The fixture rotates 360°, tilts 270°; accommodates shades and optical accessories with louver lens holder.

SYSTEM COMPATIBILITY Monorail (M) or Monorail 2 Circuit (M2)
Use Fast Jack (FJ) version for FJ canopies (see pp. 91-93)

FINISH Satin Nickel, Polished Nickel or Antique Bronze

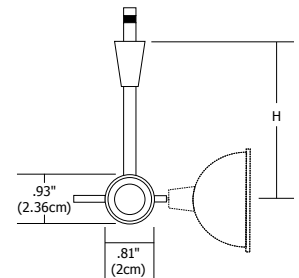
HEIGHT 1" (2.5cm), 3" (7.6cm), 6" (15.2cm), 12" (30.5cm) or 18" (45.7cm)

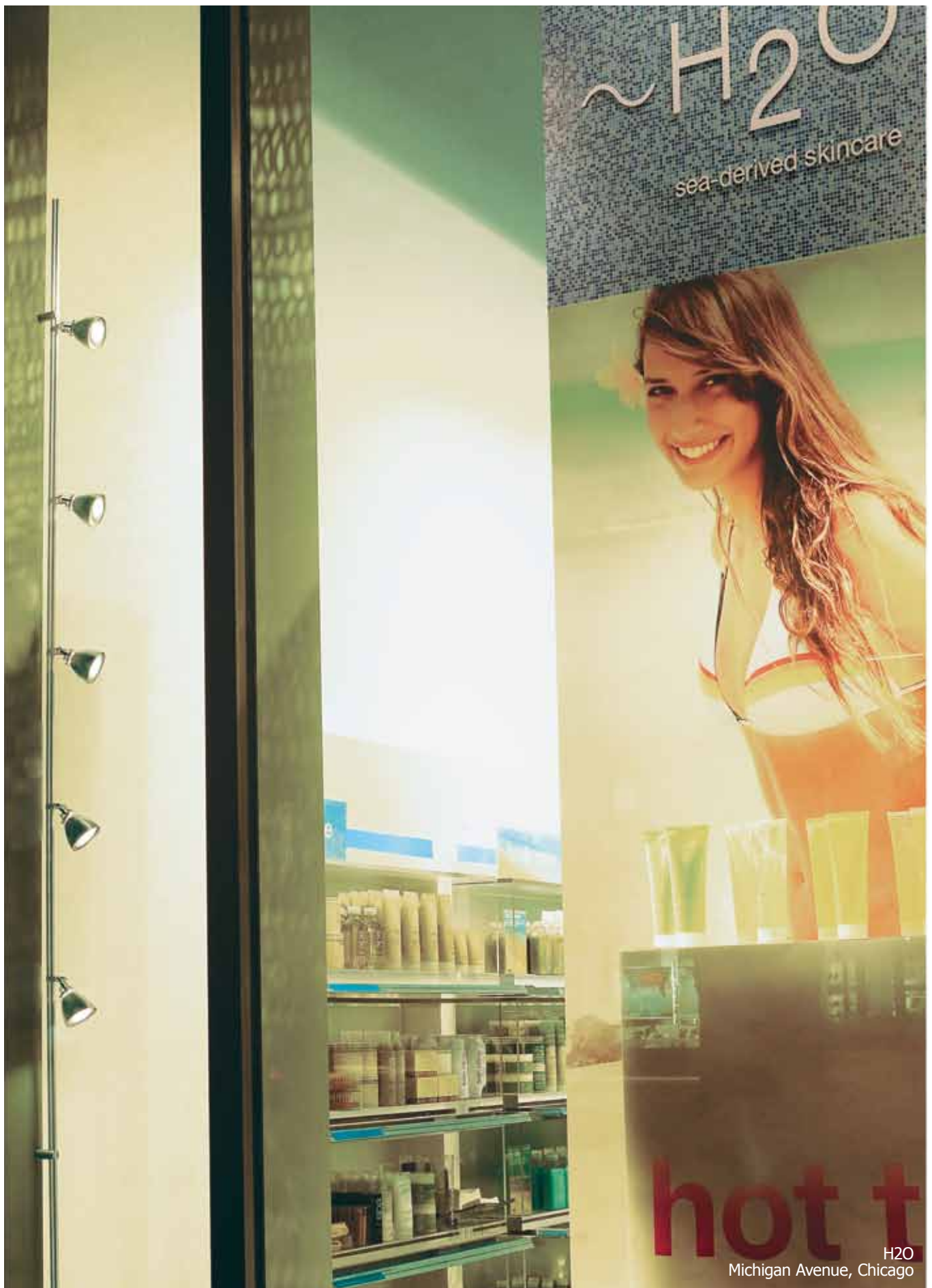
LAMP SPECIFICATIONS Maximum 75 watt MR16 lamp GU 5.3 base - 12 or 24 volt
LED MR16-12VAC (compatible with no shade or S7 Mesh Shade, p. 191)

OPTIONAL SHADE ACCESSORIES **S6** - Round Solid Shade, **S7** - Round Mesh Shade, or
LH16 - Louver Lens Holder (sold separately on pp. 191, 193)

OPTICAL ACCESSORIES Hexcell Louver, Glass Lenses or Snoot (sold separately on pp. 192-193)

ORDERING CODE	SYSTEM	FIXTURE	HEIGHT (H)	FINISH	SHADE CODE	ACCESSORY	FINISH
FJ	Fast Jack	CHO	1	SN	S6	Round Solid Shade	SN
M	Monorail	CHO	3	PN	S7	Round Mesh Shade	PN
M2	Monorail 2 Circuit	CHO	6	BZ	LH16	Louver Lens Holder	BZ
			12				BK
			18				





hot t

H2O
Michigan Avenue, Chicago

VESPA



M-VES-SN
Satin Nickel

M-VES-SN-S6-SN
Satin Nickel with Satin Nickel S6 Shade



M-VES-SN-LH16-SN
Satin Nickel with Satin Nickel Louver Lens Holder



M-VES-SN-S1-SN
Satin Nickel with Satin Nickel S1 Shade



M-VES-SN-S3-AM-SN
Satin Nickel with Satin Nickel S3 Amber Shade



M-VES-PN-S7-PN
Polished Nickel with Polished Nickel S7 Shade
LED Compatible

The self-locking directional Vespa snaps easily onto Monorail, functioning with an MR16 **Halogen** or MR16 12VAC **LED** lamp with S7 shade or no shade. The fixture tilts 170° horizontally and vertically, accommodates shades and optical accessories with louver lens holder.

SYSTEM COMPATIBILITY	Monorail (M)
HEIGHT	1.35" (3.4cm)
FINISH	Satin Nickel, Polished Nickel or Antique Bronze
LAMP SPECIFICATION	Maximum 75 watt MR16 GU5.3 base - 12 or 24 volt LED MR16-12VAC (compatible with no shade or S7 Mesh Shade, p. 191)
OPTIONAL SHADE ACCESSORIES	S1 – Little Solid Shade, S2 – Little Mesh Shade, S3 – Round Glass Shade, S6 – Round Solid Shade, S7 – Round Mesh Shade or LH16 – Louver Lens Holder (pp. 190-191, 193)
OPTICAL ACCESSORIES	Hexcell Louver, Glass Lenses, or Snoot (sold separately on pp. 192-193)

ORDERING CODE	SYSTEM	FIXTURE	FINISH	SHADE CODE	ACCESSORY	GLASS COLOR*	FINISH
M	M Monorail	VES Vespa	SN	S3 -	AM-	SN	SN
			SN Satin Nickel PN Polished Nickel BZ Antique Bronze	S1 Little Solid Shade S2 Little Mesh Shade S3 Round Glass Shade S6 Round Solid Shade S7 Round Mesh Shade LH16 Louver Lens Holder	AM Amber WH White *Leave Blank for S1, S2, S6, S7 and LH16	SN Satin Nickel (S1, S2, S3, S6, LH16) PN Polished Nickel BZ Antique Bronze BK Black (S1, S2, S6, S7, LH16)	

