

PRO AIM HALOGEN



PHI Fixture Shown

1. Hot-Aiming
(2mm Allen Screwdriver Included)
2. Hidden Gear with Self-Locking Tilt
3. Precision Alignment Guide (Pivots 0° to 90°)
4. Pure Nickel Socket Contacts
5. Ball Catch to Hold Hood
6. Keyed to Retain Focus During Lamp Change
7. Rotation Locks (Rotates 360°)
8. Fixture Construction Solid Brass Plated Finish
9. Locking Lens Orientation



Specification-Grade **Pro Aim** Fixtures Feature:

A hidden precision machined gear adjustment for hot aiming with an Allen screwdriver (included).
Self-locking tilt, manual locking horizontal rotation and capacity for three accessories.

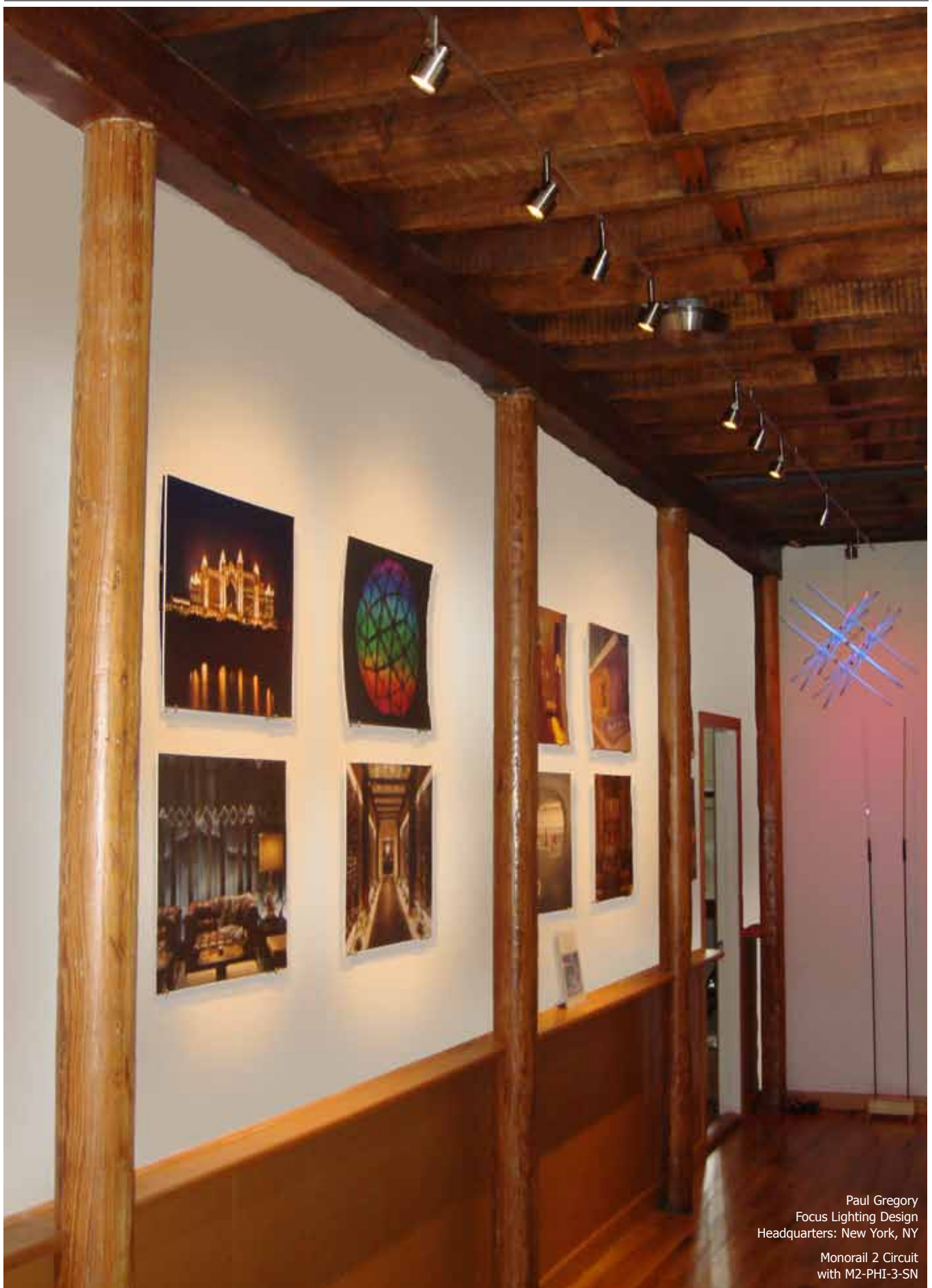
Precise adjustment capabilities - Pivots 0° to 90° with Precision Alignment Guide and rotates 360°.

Spread lens locking capability and snap-off hood on the Phi, Adam and Box allow easy access for re-lamping while preserving focus.

Satin Nickel, Polished Nickel, Antique Bronze or White finishes.

Custom colors available.





Paul Gregory
Focus Lighting Design
Headquarters: New York, NY
Monorail 2 Circuit
with M2-PHI-3-SN

PHI

Pro Aim

Designed by Gregory Kay
Patent #: D602,623



FJ-PHI-3-SN
Satin Nickel

FJ-PHI-3-PN
Polished Nickel



FJ-PHI-3-BZ
Antique Bronze



FJ-PHI-3-WH
White



The golden ratio Phi strikes the perfect balance between form and function. The focus retention system allows precise hot-aiming and locks the 360° rotation, 180° tilt and optical lens orientation with an Allen screwdriver (included). Snap-off hood holds up to three accessory lenses and allows easy access for re-lamping while preserving focus. The optional Gobo Holder transforms the Phi into an image projector (see details on p. 195).

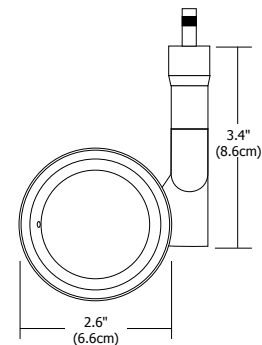
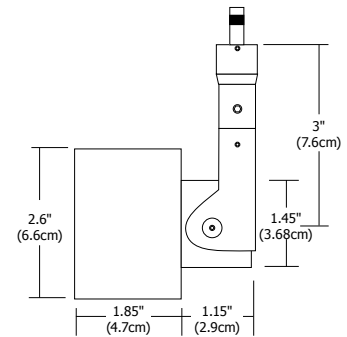
SYSTEM COMPATIBILITY Monorail (M) or Monorail 2 Circuit (M2)
Use Fast Jack (FJ) version for FJ Canopies (see pp. 91-93)

HEIGHT 3" (7.6cm)

FINISH Satin Nickel, Polished Nickel, Antique Bronze or White (only with FJ canopy)

LAMP SPECIFICATION Maximum 50 watt IR MR16 lamp GU 5.3 base – 12 or 24 volt
37 watt IR MR16 lamp with white and bronze finishes (sold separately on pp. 202-207)

OPTICAL ACCESSORIES Hexcell Louver, Snoot, Gobo Holder and Glass Lenses (sold separately on pp. 192-193, 195)



Phi with Gobo Holder
More info p. 195

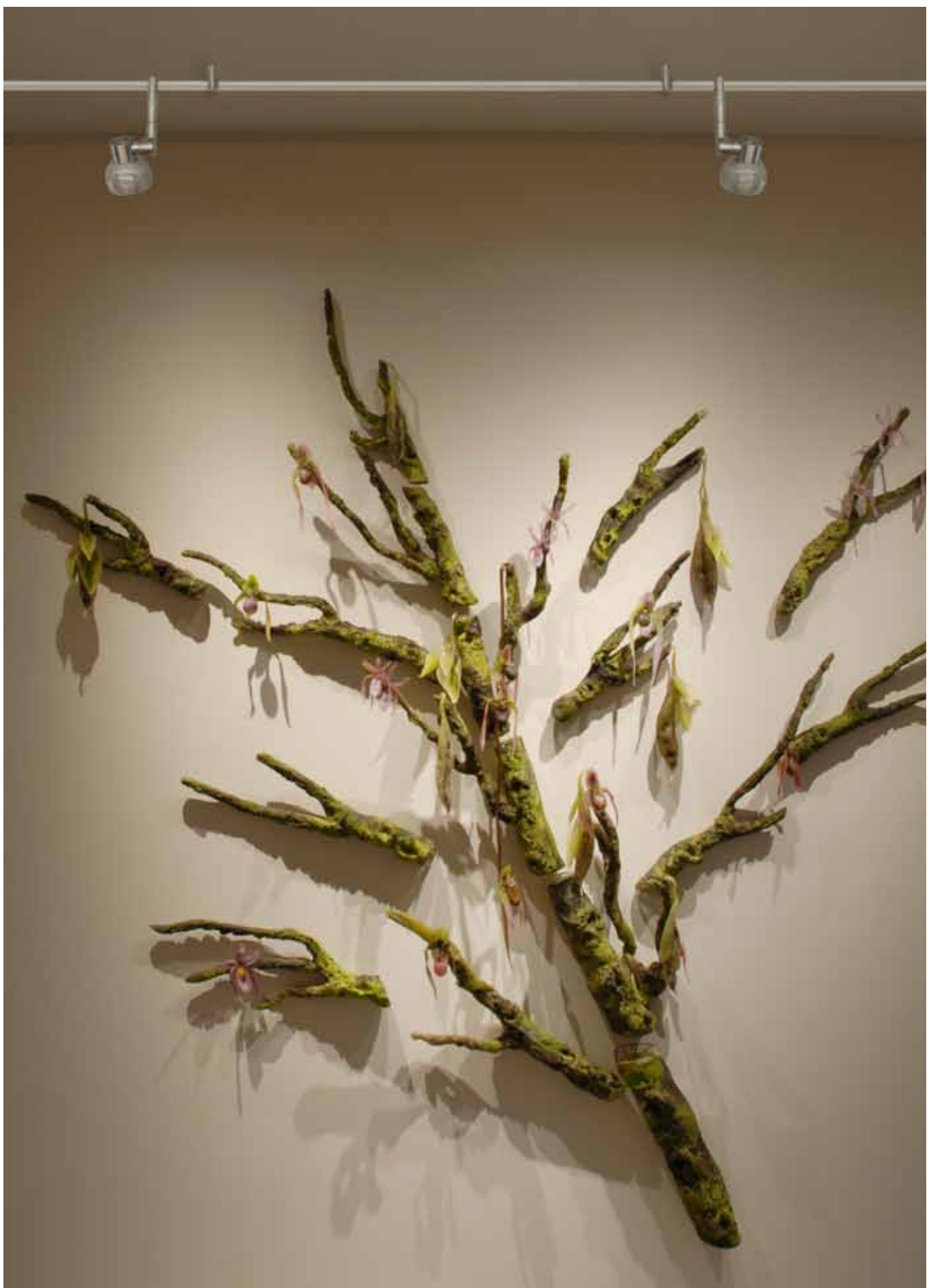


ORDERING CODE	SYSTEM	FIXTURE	HEIGHT	FINISH
FJ	FJ	PHI	3	SN
	M	PHI	3 3"	SN
	M2	PHI	3 3"	PN
				BZ
				WH

FJ Fast Jack
 M Monorail
 M2 Monorail 2 Circuit
 PHI Phi
 3 3"
 SN Satin Nickel
 PN Polished Nickel
 BZ Antique Bronze
 WH White (only with FJ canopy)

ORDERING CODE	SYSTEM	FIXTURE	HEIGHT	ACCESSORY	FINISH
FJ	FJ	PHI	3	GO	SN
	M	PHI	3 3"	GO	PN
	M2	PHI	3 3"	GO	PN

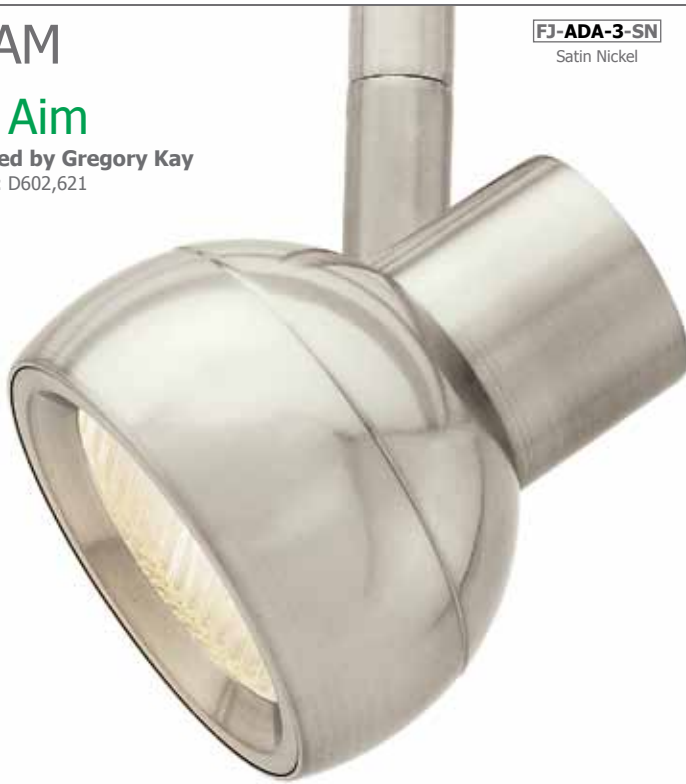
FJ Fast Jack
 M Monorail
 M2 Monorail 2 Circuit
 PHI Phi
 3 3"
 GO Gobo Holder
 SN Satin Nickel
 PN Polished Nickel



ADAM

Pro Aim

Designed by Gregory Kay
Patent #: D602,621



FJ-ADA-3-SN
Satin Nickel



FJ-ADA-3-PN
Polished Nickel



FJ-ADA-3-BZ
Antique Bronze



FJ-ADA-3-WH
White

Combining performance features with contemporary appeal, the Adam's focus retention system allows precise hot-aiming and locks the 360° rotation, 180° tilt and optical lens orientation with an Allen screwdriver (included). Snap-off hood holds up to three accessory lenses and allows easy access for re-lamping while preserving focus.

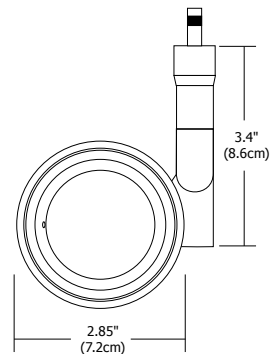
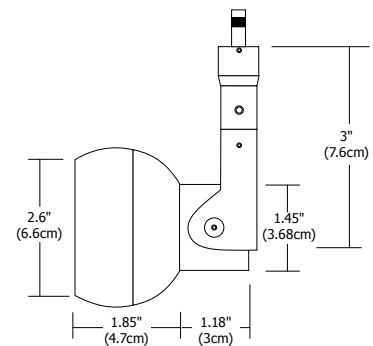
SYSTEM COMPATIBILITY Monorail (M) or Monorail 2 Circuit (M2)
Use Fast Jack (FJ) version for FJ Canopies (see pp. 91-93)

HEIGHT 3" (7.6cm)

FINISH Satin Nickel, Polished Nickel, Antique Bronze or White (only with FJ canopy)

LAMP SPECIFICATION Maximum 50 watt IR MR16 lamp GU 5.3 base – 12 or 24 volt
37 watt IR MR16 lamp with white and bronze finishes (sold separately on pp. 202-207)

OPTICAL ACCESSORIES Hexcell Louver, Snoot and Glass Lenses (sold separately on pp. 192-193)



ORDERING CODE	SYSTEM	FIXTURE	HEIGHT	FINISH
FJ	ADA	3	SN	
FJ Fast Jack M Monorail M2 Monorail 2 Circuit	ADA Adam	3 3"	SN Satin Nickel PN Polished Nickel BZ Antique Bronze WH White (only with FJ canopy)	



FEATURES

- Hot-aiming with an Allen screwdriver (included).
- Self-locking tilt, manual locking horizontal rotation and spread lens locking capability.
- Pivots 0° to 90° and rotates 360°.
- Hood pulls off so lamp does not change positions when re-lamping.





BOX

Pro Aim

Designed by Gregory Kay
 Patent #: D603,546



FJ-BOX-3-SN
Satin Nickel



FJ-BOX-3-PN
Polished Nickel



FJ-BOX-3-BZ
Antique Bronze



FJ-BOX-3-WH
White

The geometric Box delivers a balance of form and function. The focus retention system allows precise hot-aiming and locks the 360° rotation, 180° tilt and optical lens orientation with an Allen screwdriver (included). Snap-off hood holds up to three accessory lenses and allows easy access for re-lamping while preserving focus.

SYSTEM COMPATIBILITY Monorail (M) or Monorail 2 Circuit (M2)
 Use Fast Jack (FJ) version for FJ Canopies (see pp. 91-93)

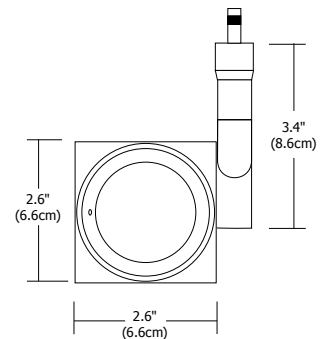
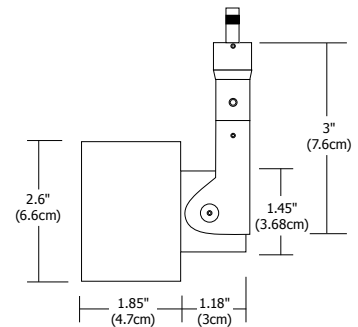
HEIGHT 3" (7.6cm)


FINISH Satin Nickel, Polished Nickel, Antique Bronze or White (only with FJ canopy)

LAMP SPECIFICATION Maximum 50 watt IR MR16 lamp GU 5.3 base – 12 or 24 volt
 37 watt IR MR16 lamp with white and bronze finishes (sold separately on pp. 202-207)

OPTICAL ACCESSORIES Hexcell Louver, Snoot and Glass Lenses (sold separately on pp. 192-193)


ORDERING CODE	SYSTEM	FIXTURE	HEIGHT	FINISH
FJ	FJ Fast Jack M Monorail M2 Monorail 2 Circuit	BOX Box	3 3"	SN Satin Nickel PN Polished Nickel BZ Antique Bronze WH White (only with FJ canopy)





FEATURES

- Hot-aiming with an Allen screwdriver (included).
- Self-locking tilt, manual locking horizontal rotation and spread lens locking capability.
- Pivots 0° to 90° and rotates 360°.
- Hood pulls off so lamp does not change positions when re-lamping.





NEO

Pro Aim

Designed by Gregory Kay

Patent #: D602,622



FJ-NEO-3-SN
Satin Nickel

FJ-NEO-3-PN
Polished Nickel



FJ-NEO-3-BZ
Antique Bronze



FJ-NEO-3-WH
White



Neo's focus retention system precisely aims and locks the 360° rotation, 180° tilt with an Allen screwdriver (included). Screw-on hood holds up to three accessory lenses and allows easy access for re-lamping. Optical lens orientation does not lock on Neo.

SYSTEM COMPATIBILITY Monorail (M) or Monorail 2 Circuit (M2)
Use Fast Jack (FJ) version for FJ Canopies (see pp. 91-93)

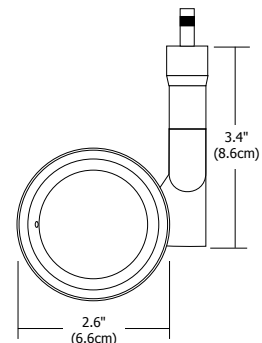
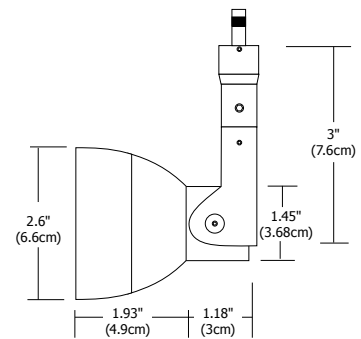
HEIGHT 3" (7.6cm)

FINISH Satin Nickel, Polished Nickel, Antique Bronze or White (only with FJ canopy)

LAMP SPECIFICATION Maximum 50 watt IR MR16 lamp GU 5.3 base – 12 or 24 volt
37 watt IR MR16 lamp with white and bronze finishes (sold separately on pp. 202-207)

OPTICAL ACCESSORIES Hexcell Louver, Snoot and Glass Lenses (sold separately on pp. 192-193)

ORDERING CODE	SYSTEM	FIXTURE	HEIGHT	FINISH
FJ	FJ	NEO	3	SN
<small>FJ</small>	<small>M</small> Fast Jack <small>M2</small> Monorail <small>M2</small> Monorail 2 Circuit	NEO Neo	3 3"	SN Satin Nickel PN Polished Nickel BZ Antique Bronze WH White (only with FJ canopy)



FEATURES

- Hot-aiming with an Allen screwdriver (included).
- Self-locking tilt, manual locking horizontal rotation.
- Pivots 0° to 90° and rotates 360°.
- Hood pulls off so lamp does not change positions when re-lamping.

