

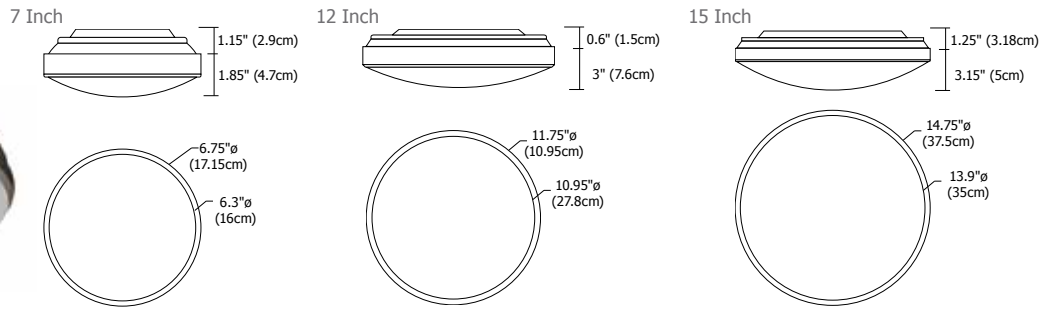




Simple elegant designs in the Edge Lighting ceiling collection easily adapt to any decor. The fixtures with indoor/outdoor and ceiling/wall options, provide multitask lighting for various applications.

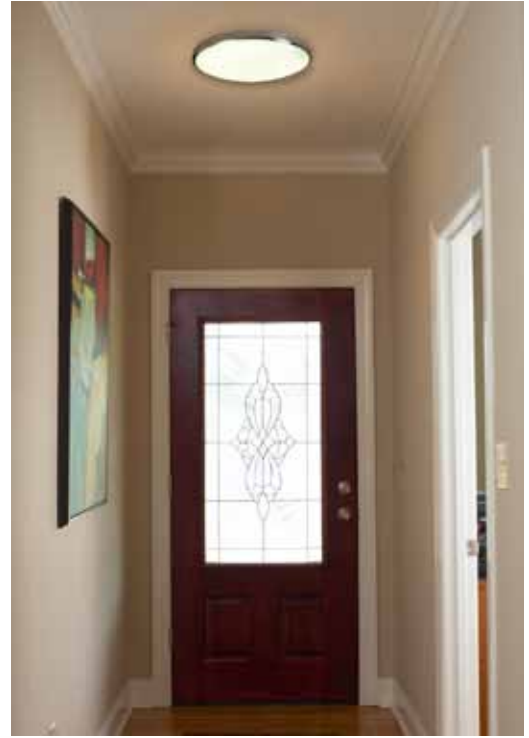
CEILING

SATIN CEILING



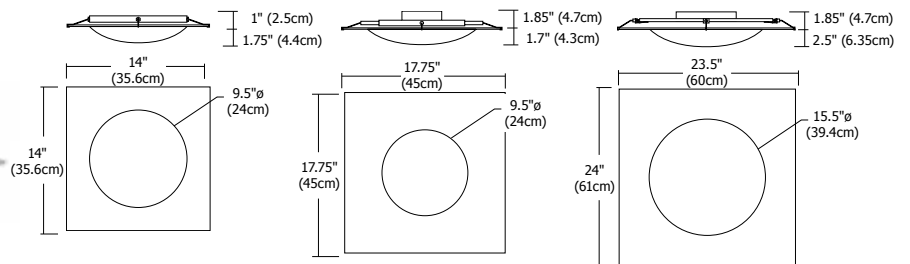
Satin Ceiling series provides general light distribution through white frosted glass, which is surrounded by satin nickel trim. The 15" and 18" fluorescent versions are also available with an emergency light option (F1E). The 7" is only available in a halogen version.

DIFFUSER	White	
BODY FINISH	Satin Nickel	
LAMP SPECIFICATION	Halogen (H1): Lamp Included	Fluorescent (F1 or F1E): Lamp Included
	7H1 - 75 Watt Type T3-78mm RSC Double End	12F1 - 22 Watt Type T5 Circline/2GX13 base, 3500K
	12H1 - 200 Watt Type T3-118mm RSC Double End	15F1 - (22+40) 62 Watt Type T5 Circline/2GX13 base, 3500K
	15H1 - 250 Watt Type T3-118mm RSC Double End	18F1 - (22+40) 62 Watt Type T5 Circline/2GX13 base, 3500K
	18H1 - 300 Watt Type T3-118mm RSC Double End	15F1E - (22+40) 62 Watt Type T5 Circline/2GX13 base, 3500K 18F1E - (22+40) 62 Watt Type T5 Circline/2GX13 base, 3500K
TOTAL WATTAGE	7H1 - 75W 12H1 - 200W 15H1 - 250W 18H1 - 300W	12F1 - 22W - 3500K 15F1/F1E - 62W - 3500K 18F1/F1E - 62W - 3500K
DIMMING INFORMATION	Halogen (H1): Incandescent	Fluorescent (F1 or F1E): Not Dimmable (Electronic Ballast)



ORDERING CODE	SATIN	SIZE	LAMP	FINISH	VOLTAGE
		7	H1	SN	Standard 120V (leave blank)
		7 7" 12 12" 15 15" 18 18"	H1 Halogen F1 Fluorescent F1E Fluorescent Emergency (15" or 18" only)	SN Satin Nickel	2 230V 50Hz 3 277V 60Hz

VANILLA SKY SQUARE

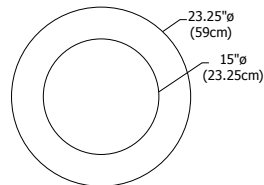
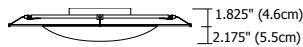
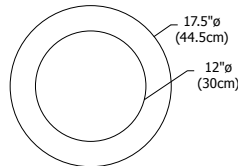
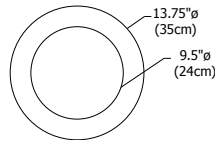


Vanilla Sky Square ceiling series features molded square white glass diffusers in various sizes providing general light distribution. The 14" fixture includes a halogen lamp, while the 18" and 24" include energy saving Krypton/Xenon lamps. All three sizes are also available in fluorescent versions.

DIFFUSER	White		
LAMP SPECIFICATION	Halogen (H1): Lamp Included	Energy Efficient Krypton/Xenon (K1): Lamp Included	Fluorescent (F1): Lamp Included
	14H1 - 100 Watt Type T3-118mm RSC Double End	18K1 - 180 Watt (equivalent to 250 Watt Halogen) Type T4-118mm RSC Double End 24K1 - 180 Watt (equivalent to 250 Watt Halogen) Type T4-118mm RSC Double End	14F1 - 2x9 Watt Type T4/2G7 base, 2700K 18F1 - 2x26 Watt Type T4/G24Q-3 base, 3000K 24F1 - 2x26 Watt Type T4/G24Q-3 base, 3000K
	TOTAL WATTAGE	14H1 - 100W 18K1 - 180W = 250W 24K1 - 180W = 250W	14F1 - 18W - 2700K 18F1 - 52W - 3000K 24F1 - 52W - 3000K
	DIMMING INFORMATION	Halogen (H1): Incandescent Krypton/Xenon (K1): Incandescent	Fluorescent (F1): Not Dimmable (Electronic Ballast)


ORDERING CODE	VSKY	DESCRIPTION	SIZE	LAMP	VOLTAGE
		SQ	14	H1	Standard 120V (leave blank)
		SQ Square	14 14" 18 18" 24 24"	H1 Halogen (14" only) K1 Krypton/Xenon (18" or 24" only) F1 Fluorescent	2 230V 50Hz 3 277V 60Hz (F1 only)

VANILLA SKY ROUND



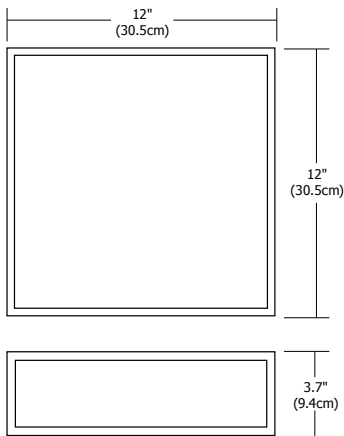
Ceiling

Vanilla Sky Round ceiling series features molded round white glass diffusers in various sizes providing general light distribution. The 14" fixture includes a halogen lamp, while the 18" and 24" include energy saving Krypton/Xenon lamps. All three sizes are also available in fluorescent versions.

DIFFUSER	White		
LAMP SPECIFICATION	Halogen (H1): Lamp Included 14H1 – 100 Watt Type T3-118mm RSC Double End	 Krypton/Xenon (K1): Lamp Included 18K1 - 180 Watt (equivalent to 250 Watt Halogen) Type T4-118mm RSC Double End 24K1 - 180 Watt (equivalent to 250 Watt Halogen) Type T4-118mm RSC Double End	Fluorescent (F1): Lamp Included 14F1 – 2x9 Watt Type T4/2G7 base, 2700K 18F1 – 2x26 Watt Type T4/G24Q-3 base, 3000K 24F1 – 2x26 Watt Type T4/G24Q-3 base, 3000K
TOTAL WATTAGE	14H1 - 100W	18K1 - 180W = 250W 24K1 - 180W = 250W	14F1 - 18W - 2700K 18F1 - 52W - 3000K 24F1 - 52W - 3000K
DIMMING INFORMATION	Halogen (H1): Incandescent	Krypton/Xenon (K1): Incandescent	Fluorescent (F1): Not Dimmable (Electronic Ballast)

ORDERING CODE	DESCRIPTION	SIZE	LAMP	VOLTAGE
VSKY	RD	14	H1	Standard 120V (leave blank)
	RD Round	14 14" 18 18" 24 24"	H1 Halogen (14" only) K1 Krypton/Xenon (18" or 24" only) F1 Fluorescent	2 230V 50Hz 3 277V 60Hz (F1 only)

GARBO CEILING/WALL 

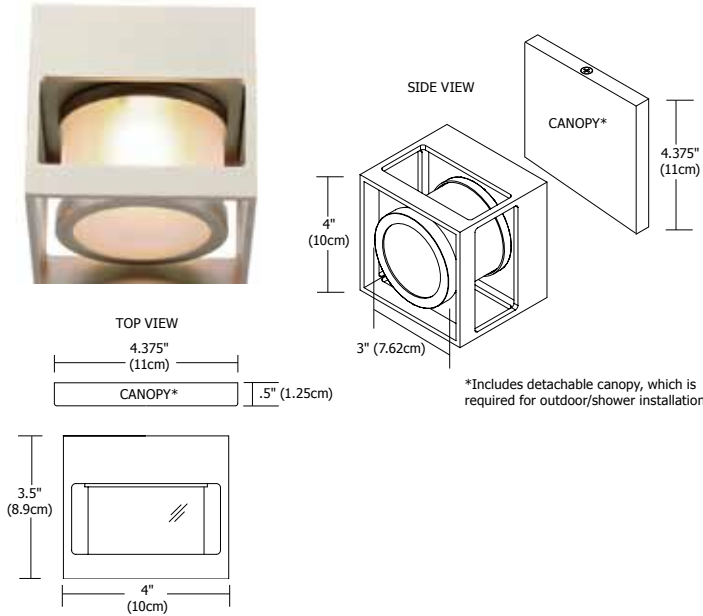


Garbo Ceiling/Wall features opal white polycarbonate diffusers in a slim square metal frame providing general and vanity multidirectional light distribution. For additional wall versions see p. 132. ADA compliant.

DIFFUSER	Opal White Polycarbonate	
FINISH	Satin Nickel or Polished Nickel	
LAMP SPECIFICATION	Fluorescent (F1): Lamp Included 2x9 Watt Type T4/2XG7 base, 2700K	Fluorescent (F2): Lamp Included 4x9 Watt Type T4/2XG7 base, 2700K
TOTAL WATTAGE	F1 - 18W - 2700K	F2 - 36W - 2700K
DIMMING INFORMATION	Fluorescent (F1 or F2): Not Dimmable (Electronic Ballast)	

ORDERING CODE	TYPE	DESCRIPTION	SIZE	LAMP	FINISH	VOLTAGE
GARBO	C	SQ	12	F1	SN	Standard 120V (leave blank)
	C Ceiling	SQ Square	12 12"	F1 Fluorescent F2 Fluorescent	SN Satin Nickel PN Polished Nickel	2 230V 50Hz 3 277V 60Hz

CUBE-O LED ADA
INDOOR/OUTDOOR



Cube-O ceiling/wall features a white frosted diffuser tube enclosed in aluminum housing for general light distribution. The detachable square canopy is required for outdoor and wet location installations. Available in a halogen or **LED** version, Cube-O is rated for indoor, outdoor, and wet locations. ADA compliant. All **LED** fixtures include 5 year warranty.

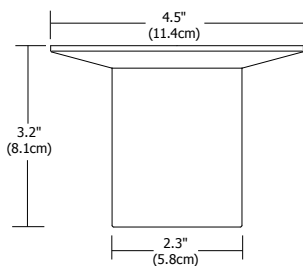
DIFFUSER	White	
FINISH	Satin Aluminum	
LAMP SPECIFICATION	Halogen (H1): 60 Watt Type JCD G9 base Bi-Pin	LED (L1): 6.1 Total Watts, 12VAC LED , 2888K, 82CRI, 269 lumens, 44 lumens per watt; 70% lumen maintenance based on 50,000 hours of operation
TOTAL WATTAGE	H1 - 60W	L1 - 6.1W
DIMMING INFORMATION	Halogen (H1): Incandescent	LED (L1): Not Dimmable

ORDERING CODE	CUBEO	LAMP	H1	FINISH	SA	VOLTAGE	Standard 120V (leave blank)
		H1 Halogen L1 LED		SA Satin Aluminum		2 230V 50Hz	



Ceiling

ROCKY CEILING ADA
INDOOR/OUTDOOR



Rocky is a ceiling mount accent and general downlight, featuring high temperature silicone o-rings that create a watertight seal. Machined from marine grade 316 stainless steel or 6061 aluminum brushed to a satin finish. Rocky Ceiling is available in Low Voltage (H1) and Line Voltage (H2) halogen versions. A removable, lockable shield with fasteners retains a glass lens and a louver accessory. It is rated for indoor, outdoor, and wet locations.

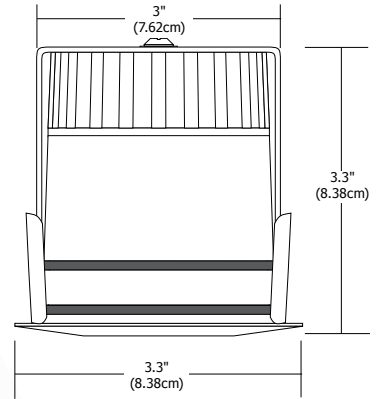
FINISH	H1: Brushed Stainless Steel	H2: Satin Aluminum
LAMP SPECIFICATION	Halogen (H1): Lamp Included 20 Watt MR16 GU5.3 base	Halogen (H2): Lamp Included 35 Watt Line Voltage MR16 (PAR16) GU10 base
TOTAL WATTAGE	H1 - 20W - 12V	H2 - 35W - 120V
DIMMING INFORMATION	Halogen (H1): Low Voltage Electronic	Halogen (H2): Incandescent

ORDERING CODE	ROC	TYPE	C	LAMP	H1	FINISH	SS	VOLTAGE	Standard 120V (leave blank)
		C Ceiling		H1 Halogen		SS Stainless Steel			

ORDERING CODE	ROC	TYPE	C	LAMP	H2	FINISH	SA	VOLTAGE	Standard 120V (leave blank)
		C Ceiling		H2 Halogen		SA Satin Aluminum			

SUN3 CEILING WET LOCATION RECESSED DOWNLIGHT

INDOOR/OUTDOOR



Description:

The 3" round or square recessed SUN3 Ceiling **LED** downlight uses a high-powered warm-white **LED**; it features a 16, 23, 36 or 47 degree precise focus and tempered glass lens with marine-grade aluminum beveled edge trim. It is perfect for installation on ceilings with a low clearance (3.2" depth). Sun3C is rated for outdoor wet location, shower or indoor applications. New construction IC-Rated housing with dimmable electronic power supply (SUN3-HS) is sold separately. Fixture includes 5 year warranty.

Finish:

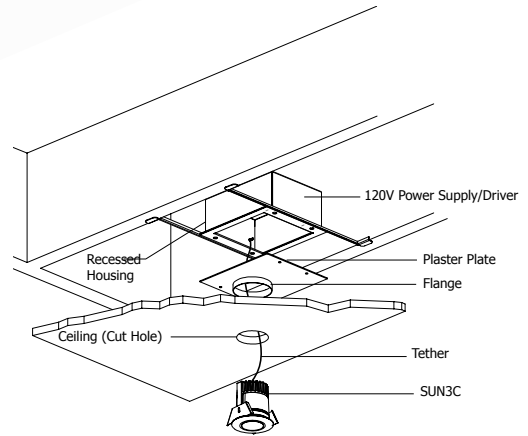
Satin Aluminum

Lamp Specification:

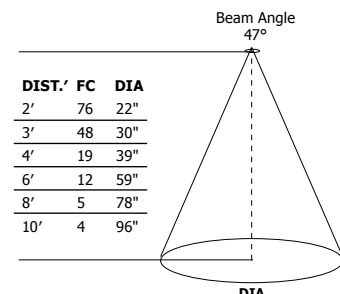
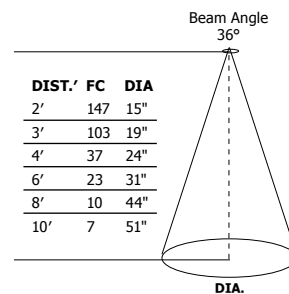
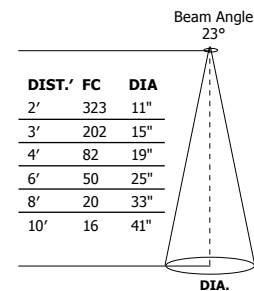
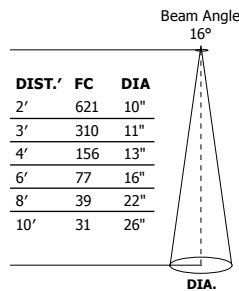
7 Total Watts, 12VAC **LED**, 2858K, 85 CRI, 322 total lumens, 46 lumens per watt; 70% lumen maintenance based on 50,000 hours of operation

Dimming Information:

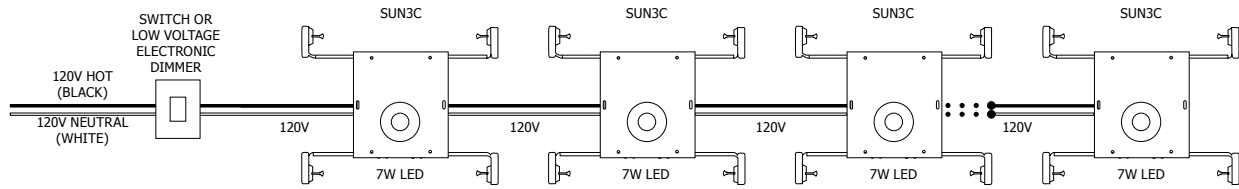
Dimmable with low voltage electronic dimmer using SUN3-HS (sold separately). Lutron dimmers recommended: Dims to 12% with Diva #DVELV-300P and with Skylark #SELV-300P; 20% with Maestro #MAELV-600



LENS/ BEAM SPREAD	INPUT VOLTS	WATTS	EQUIVALENT TO 25 WATT MR16*	CBCP	RATED LIFE	COLOR TEMP (K)	CRI
L1 = 16 Degree	12VAC	7	25W	2,029	50,000	2,812	80
L2 = 23 Degree	12VAC	7	25W	1,216	50,000	2,812	80
L3 = 36 Degree	12VAC	7	25W	570	50,000	2,812	80
L4 = 47 Degree	12VAC	7	25W	385	50,000	2,812	80



* All testing done by Energy Star Benchmark Tool:
www.edgelighting.com/products/Lighting_tools.php



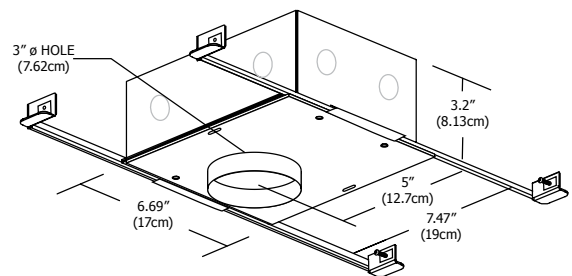
SUN3 LED COMPONENTS

Use the Sun3 Ceiling LED indoor or outdoor as a wet location, shower or recessed downlight.



PRODUCT	HEAD/ LENS	DESCRIPTION	COLOR TEMPERATURE	FINISH
SUN3C	HDL1	RD	WW	SA
SUN3C Sun3 Ceiling	HDL1 16 Degree HDL2 23 Degree HDL3 36 Degree HDL4 47 Degree	RD Round SQ Square	WW Warm White	SA Satin Aluminum

IC Housing Low profile (3.2") housing includes electronic low voltage dimmable power supply. New construction rated for insulated ceilings.



PRODUCT	TYPE
SUN3	HS
SUN3 Sun3	HS Housing



Hexcell Louver eliminates glare from the light beam.

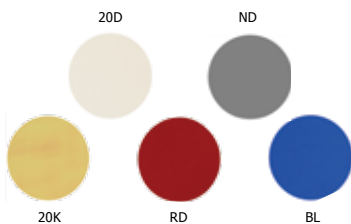
PRODUCT	TYPE
L016	H
L016 MR16	H Hexcell



Sun3 Louver Lens Holder

Louver Lens Holders secure onto front of the lamp holding up two lenses or combination of a hexcell louver and lens. Required for securing louvers, lenses and filters in the Sun3 Ceiling.

PRODUCT	TYPE
SUN3	LLH
SUN3 Sun3	LLH LouverLens Holder



Dichroic Film lenses and filters shape beam, change color or adjust color temperatures. Louver lens holder SUN3-LLH required.

PRODUCT	TYPE
LF2	20D
LF2 Lens Film 2" diameter	20D Refracts beam 20° down 20K Dichroic 2000K Very Warm White 27K Dichroic 2000K + Color Correction Film=2700K Warm White ND Neutral Density Filter dims 50% RD Dichroic Red Film BL Dichroic Blue Film LS Linear Spread