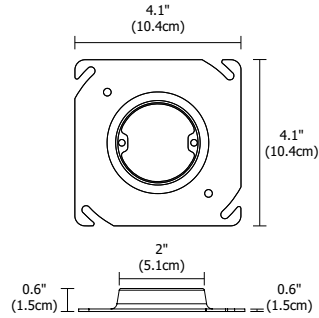


# NEW CONSTRUCTION JUNCTION BOX COVER

REV03.14.17



## New Construction Junction Box Cover

Included with the 2 inch round and square canopies and is not required for the 4 inch square canopy. May be ordered separately as a rough-in component or replacement part. New Construction Junction Box Cover mounts to a standard 4 inch electrical box or octagon box, converting to a 2 inch plaster ring for new construction.

System

Type

**NC2**

**JBOX**

**NC2** New Construction 2"

**JBOX** JBox Cover

PROJECT:

FIXTURE  
TYPE:

DATE: